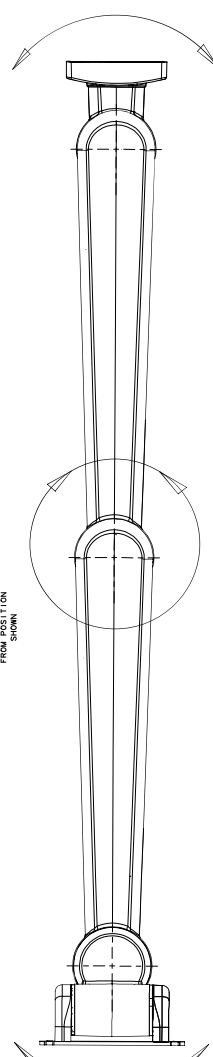
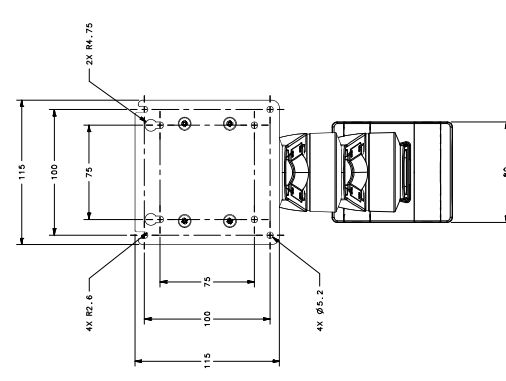


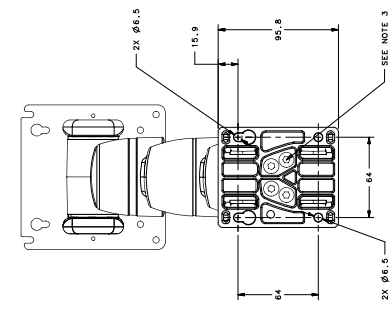
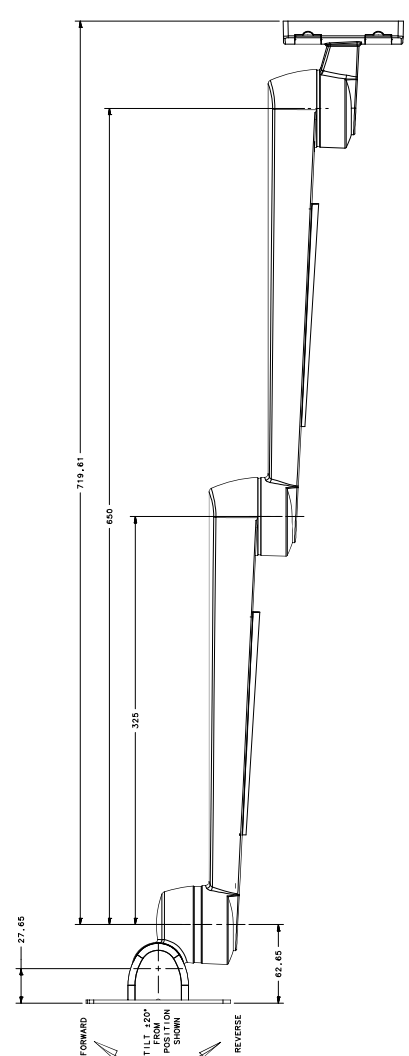
ARM ROTATION FROM POSITION SHOWN



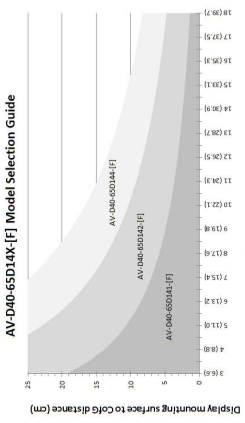
DISPLAY SWIVEL FROM POSITION SHOWN



ARM PIVOT FROM POSITION SHOWN

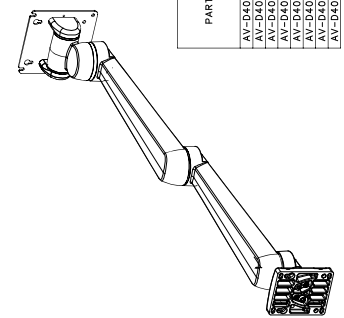


AV-D40-65D14X-F Model Selection Guide



- NOTES:
1. FINISH PER EQUINOX COSMETIC SPECIFICATION S-121 CLASS 'C', EXTERIOR POWDER COATED SURFACES.
 2. TILT TORQUE MEASURED WITH VESA DISPLAY PLATE IN VERTICAL (0°-15°)
 3. SCREWS AFFIXING ARM TO MOUNTING PLATE ARE NOT TO BE REMOVED. IF REMOVED OR DAMAGED, THE ARM WILL NOT BE GUARANTEED TO SUPPORT 11.3, 20.5, 26.5, 30.0, 43.0, 53.0, 60.0, 76.0, 86.0, 100.0, 113.0, 125.0, 144.0, 150.0, 160.0, 176.0, 204.0, 220.0, 231.0, 250.0, 265.0, 300.0, 320.0, 350.0, 400.0, 450.0, 500.0, 550.0, 600.0, 650.0, 700.0, 750.0, 800.0, 850.0, 900.0, 950.0, 1000.0, 1100.0, 1200.0, 1300.0, 1400.0, 1500.0, 1600.0, 1700.0, 1800.0, 1900.0, 2000.0, 2100.0, 2200.0, 2300.0, 2400.0, 2500.0, 2600.0, 2700.0, 2800.0, 2900.0, 3000.0, 3100.0, 3200.0, 3300.0, 3400.0, 3500.0, 3600.0, 3700.0, 3800.0, 3900.0, 4000.0, 4100.0, 4200.0, 4300.0, 4400.0, 4500.0, 4600.0, 4700.0, 4800.0, 4900.0, 5000.0, 5100.0, 5200.0, 5300.0, 5400.0, 5500.0, 5600.0, 5700.0, 5800.0, 5900.0, 6000.0, 6100.0, 6200.0, 6300.0, 6400.0, 6500.0, 6600.0, 6700.0, 6800.0, 6900.0, 7000.0, 7100.0, 7200.0, 7300.0, 7400.0, 7500.0, 7600.0, 7700.0, 7800.0, 7900.0, 8000.0, 8100.0, 8200.0, 8300.0, 8400.0, 8500.0, 8600.0, 8700.0, 8800.0, 8900.0, 9000.0, 9100.0, 9200.0, 9300.0, 9400.0, 9500.0, 9600.0, 9700.0, 9800.0, 9900.0, 10000.0.
 4. FOR SELECTION OF SUITABLE TILT TORQUE USE GRAPHICAL DATA PROVIDED AS A GUIDE.
 5. FUNCTIONING AND WEIGHT BEARING LOAD.
 6. MATERIALS AND FINISHES: ALUMINIUM, ANODISED AND POWDER COATED. ARM, TILT AND SWIVEL HOUSING AND WALL PLATE ADAPTER; DIE CAST ALUMINIUM. PIVOTS COATED CARBON, ACETAL. COILED FIN; STEEL. PHOSPHATE COATING; STOP BOWEL; STEEL, NATURAL. SWIVEL ROTATIONAL STOP; ZINC, NATURAL. TILT AXIS TORSION SPRING (WHERE USED); STEEL, NICKEL PLATED. SWIVEL SHAFT; STAINLESS STEEL AND NYLON. WIRE COVER; PC/ABS, COLOUR CODED. MOUNTING PLATE; DIE CAST ALUMINIUM, POWDER COATED. MOUNTING HARDWARE COVER; PC/ABS, COLOUR CODED.

PART NUMBER	REVERSE TILT TORQUE N·m (lbf·in)	FORWARD TILT TORQUE N·m (lbf·in)	DISPLAY SYMMETRIC TORQUE	SYMMETRIC MOVE LOWER ARM ASSEMBLY	SYMMETRIC MOVE UPPER ARM ASSEMBLY	COLOR
AV-D40-65D141-76	7.9 (70)	1.13 (10)	3.0 N·m (26.5 lbf·in)	3.0 N·m (26.5 lbf·in)	6.0 N·m (53 lbf·in)	OFFICE WHITE
AV-D40-65D142-76	15.4 (136)	2.26 (20)	3.0 N·m (26.5 lbf·in)	3.0 N·m (26.5 lbf·in)	6.0 N·m (53 lbf·in)	BLACK
AV-D40-65D143-76	8.6 (76)	1.13 (10)	3.0 N·m (26.5 lbf·in)	3.0 N·m (26.5 lbf·in)	6.0 N·m (53 lbf·in)	OFFICE WHITE
AV-D40-65D144-76	23.1 (204)	7.0 (62)	3.0 N·m (26.5 lbf·in)	3.0 N·m (26.5 lbf·in)	6.0 N·m (53 lbf·in)	BLACK
AV-D40-65D144-50	23.1 (204)	7.0 (62)	3.0 N·m (26.5 lbf·in)	3.0 N·m (26.5 lbf·in)	6.0 N·m (53 lbf·in)	BLACK



southco
CONNECTOR SYSTEMS DIVISION
DISPLAY MOUNT
TILT AND SWIVEL, DOUBLE ARM
Part No. J-AV-D40-65D14
Rev. 1.1
DATE 13FEB2015 SCALE 1:2 SHEET 1 OF 3

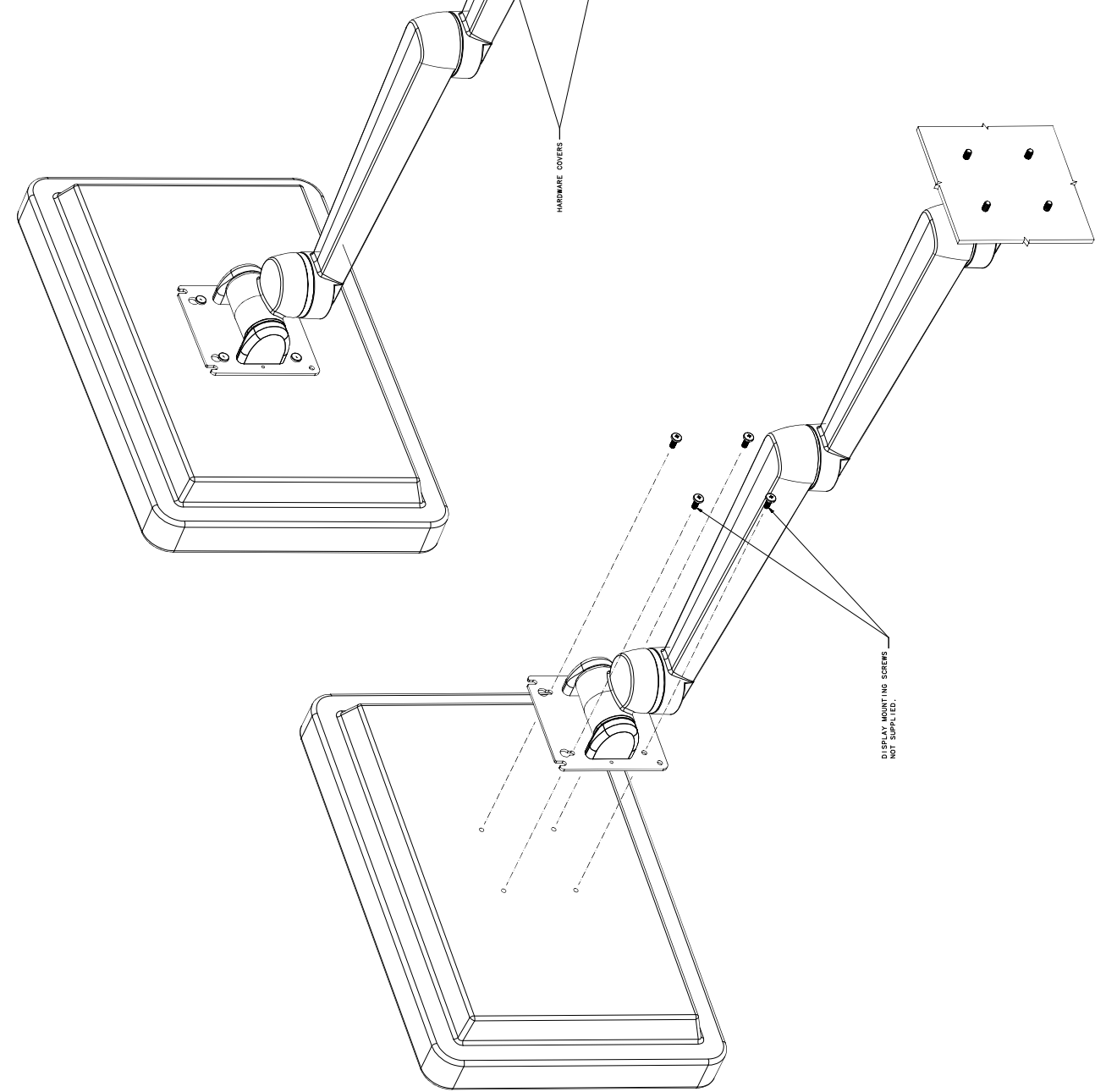
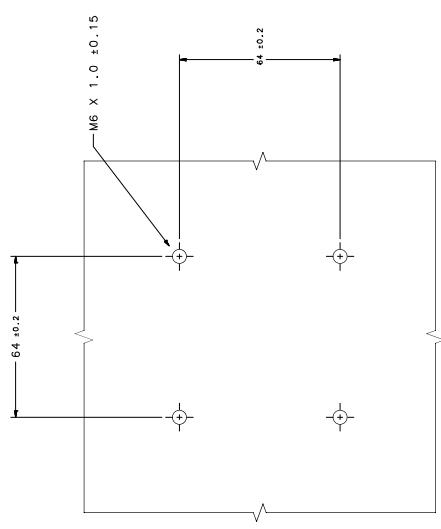
THIRD ANGLE PROJECTION	MILLIMETERS (IN)	DESCRIPTION
		TOLERANCES UNLESS OTHERWISE NOTED
		ALL DIMENSIONS WITHOUT TOLERANCES ARE FOR REFERENCE ONLY.

PROPERTY ITEM
PART NUMBER
REV. NO.
DATE
SCALE
SHEET NO. OF TOTAL SHEETS

12 11 10 9 8 7 6 5 4 3 2 1

H C F E D C B A

REV	DATE	BY	DESCRIPTION
A	22MAR2016	SKB/DS	INITIAL RELEASE



THIRD ANGLE PROJECTION	DESCRIPTION
	CONNECTOR - MATE
MILLIMETERS (IN)	DISPLAY MOUNT
TOLERANCES UNLESS OTHERWISE NOTED	TILT AND SWIVEL, DOUBLE ARM
ALL DIMENSIONS WITHOUT TOLERANCES ARE FOR REFERENCE ONLY.	Part No. J-AV-D40-65D14
PROPERTY ITEM	DATE 13FEB2015
DATE 13FEB2015	SCALE 1:1
PER ASME Y14.5M-1994	SHEET 2 OF 3

southco
CONNECTOR - MATE

DISPLAY MOUNT
TILT AND SWIVEL, DOUBLE ARM
Part No. J-AV-D40-65D14

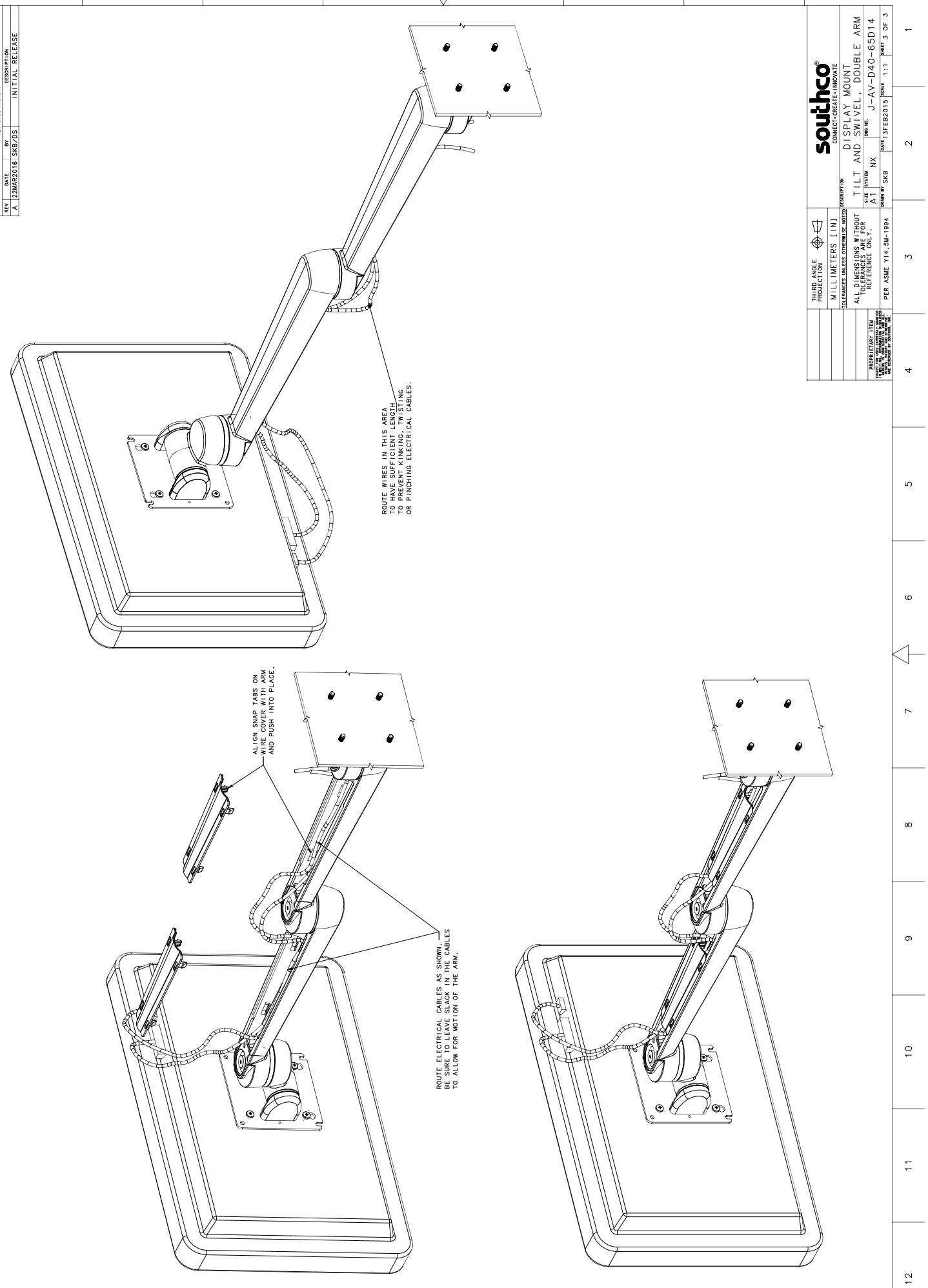
DATE 13FEB2015
SCALE 1:1
SHEET 2 OF 3

12 11 10 9 8 7 6 5 4 3 2 1

H C F E D C B A

12 11 10 9 8 7 6 5 4 3 2 1

REV	DATE	BY	REVISION HISTORY	DESCRIPTION
A	22MAR2016	SKB/DS	INITIAL RELEASE	



THIRD ANGLE PROJECTION	CONTRACTOR'S LOGO	DESCRIPTION
		DISPLAY MOUNT
MILLIMETERS (IN)		TILT AND SWIVEL, DOUBLE ARM
TOLERANCES UNLESS OTHERWISE NOTED		Part No. J-AV-D40-65D14
ALL DIMENSIONS WITHOUT TOLERANCES ARE FOR REFERENCE ONLY.		DATE 13FEB2015 SCALE 1:1 SHEET 3 OF 3
PROPERTY ITEM		
DATE		
BY		
FOR		
APPROVED BY		
PER ASME Y14.5M-1994		

H C F E D C B A