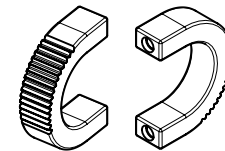
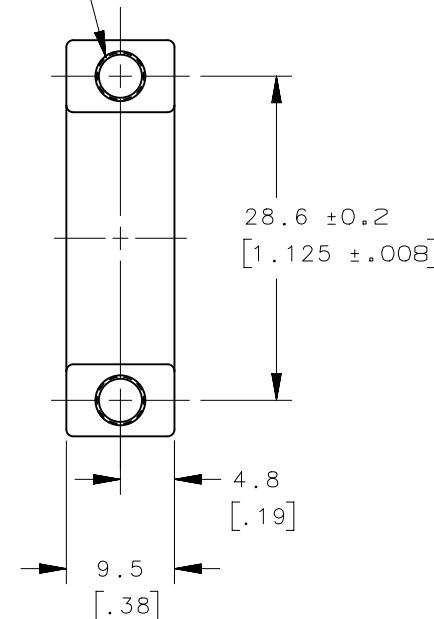
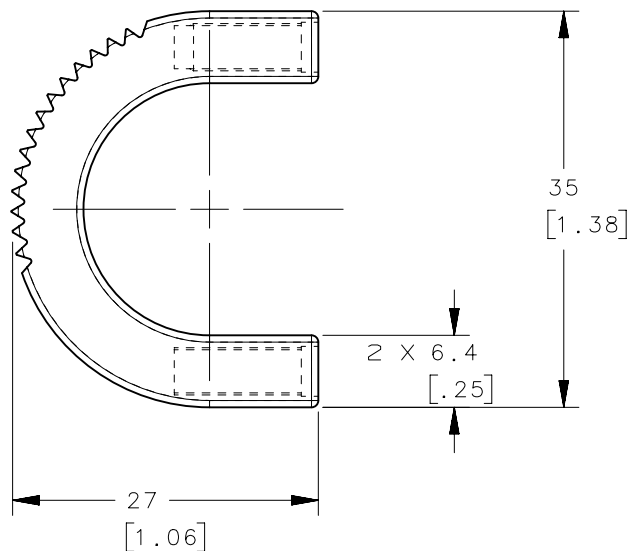


REVISION HISTORY			
REV	DATE	BY	DESCRIPTION
H	29JUN2016	JPK/BGL	PRN: P2016-1435



SCALE 1:2

M4 X 0.7 X 9.5 [.37] DEEP 2 PLACES.
 Ø5 [Ø.196] MOUNTING HOLES IN PANEL.



B4-50-103-11	6063 ALUMINUM	CLEAR ANODIZED
B4-50-103-12	6063 ALUMINUM	BLACK POWDER COATED
B4-50-103-13	6063 ALUMINUM	NATURAL
B4-50-103-15	6063 ALUMINUM	BLACK ANODIZE
B4-50-103-75	6063 ALUMINUM	SILVER POWDER COATED
PART NUMBER	MATERIAL	FINISH

NOTES:

- A. COSMETIC SPECIFICATION:
 ALL SURFACES UNLESS OTHERWISE NOTED ARE TO CONFORM TO A CLASS "B" DESIGNATION AS DESCRIBED IN SOUTHCO COSMETIC SPECIFICATION: S-121-03 FOR POWDER COATING S-121-06 FOR ANODIZED FINISH
- B. RoHS COMPLIANT.

THIRD ANGLE PROJECTION	 CONNECT • CREATE • INNOVATE		
TOLERANCES UNLESS OTHERWISE NOTED	DESCRIPTION SOUTHCO NO.4 PULL, 100 SERIES METRIC THREAD		
ALL DIMENSIONS WITHOUT TOLERANCES ARE FOR REFERENCE ONLY.	SIZE A4	SYSTEM NX	DWG NO. J-B4-50-103
PER ASME Y14.5M-1994	DRAWN BY VBS	DATE 13APR1984	SCALE 1.5:1 SHEET 1 OF 1

PROPRIETARY ITEM
 EXCEPT FOR USES EXPRESSLY GRANTED IN WRITING, INFORMATION DISCLOSED HEREON IS CONFIDENTIAL AND ALL RIGHTS, PATENT AND OTHERWISE, ARE RESERVED BY SOUTHCO, INC.