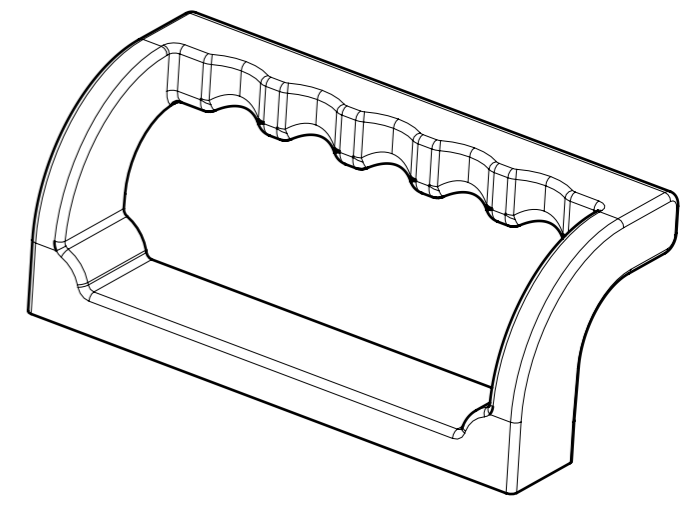
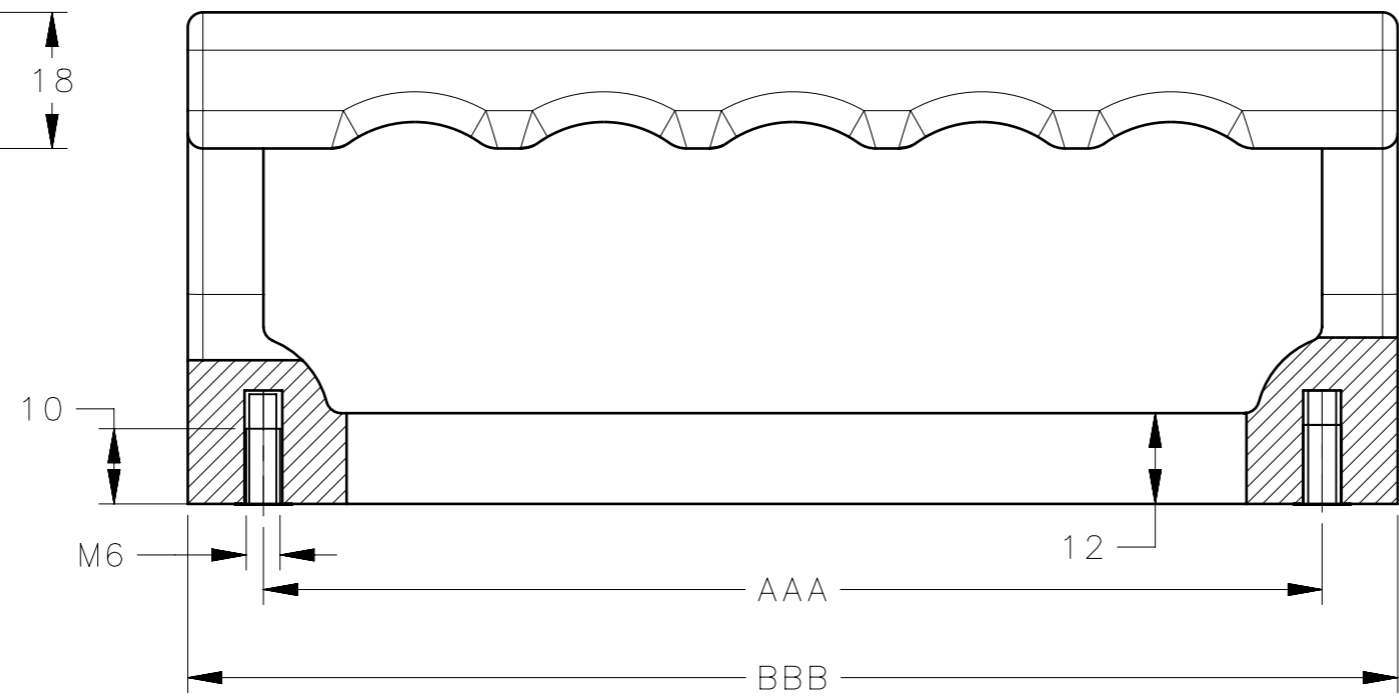
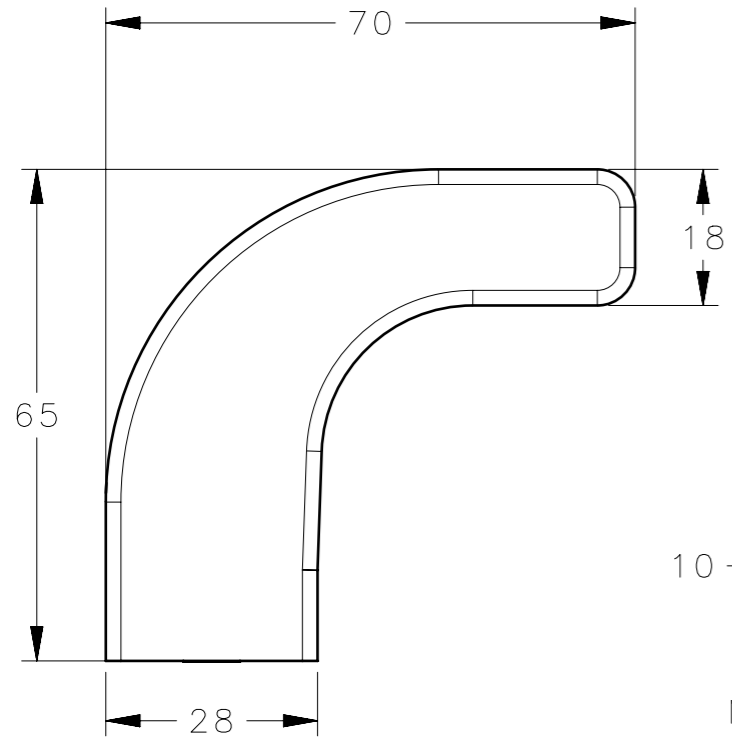
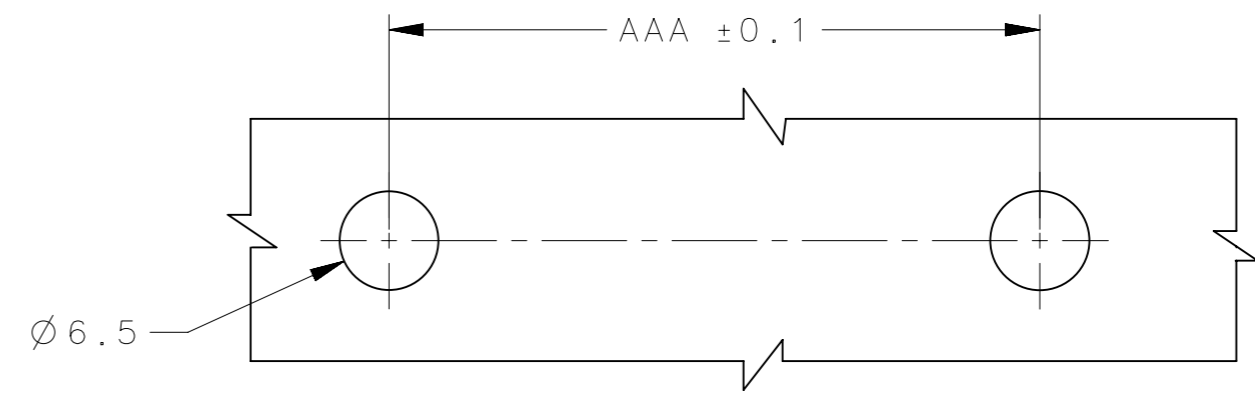


REVISION HISTORY			
REV	DATE	BY	DESCRIPTION
B	25DEC2023	SBK/VK	PRN: P2023-2368

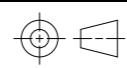


SCALE 1:2

PANEL PREPARATION



NOTES:-  
1. MOUNTING SCREWS NOT SUPPLIED.

B8-DHAI-140	B8-ANGULAR HANDLE	POLYAMIDE	BLACK	140	160
SOUTHCO PART NUMBER	DESCRIPTION	MATERIAL	FINISH	AAA	BBB
CPB NUMBER 2023-0391	THIRD ANGLE PROJECTION				
MILLIMETERS [IN]					
SURFACE AREA mm <sup>2</sup>		TOLERANCES UNLESS OTHERWISE NOTED		DESCRIPTION B8-ANGULAR HANDLE	
VOLUME mm <sup>3</sup>		ALL DIMENSIONS WITHOUT TOLERANCES ARE FOR REFERENCE ONLY.		SIZE A3	
PROPRIETARY ITEM		PER ASME Y14.5M-2009		SYSTEM NX	DWG NO. J-B8-DHAI
EXCEPT FOR USES EXPRESSLY GRANTED IN WRITING, INFORMATION DISCLOSED HEREON IS CONFIDENTIAL AND ALL RIGHTS, PATENT AND OTHERWISE, ARE RESERVED BY SOUTHCO, INC.		DRAWN BY SBK		DATE 10AUG2023	SCALE 1:1
				SHEET 1 OF 1	

