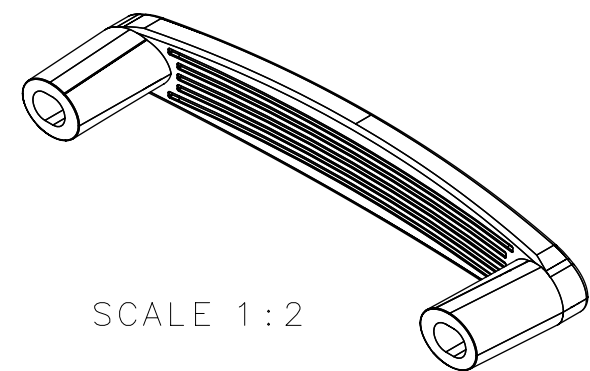
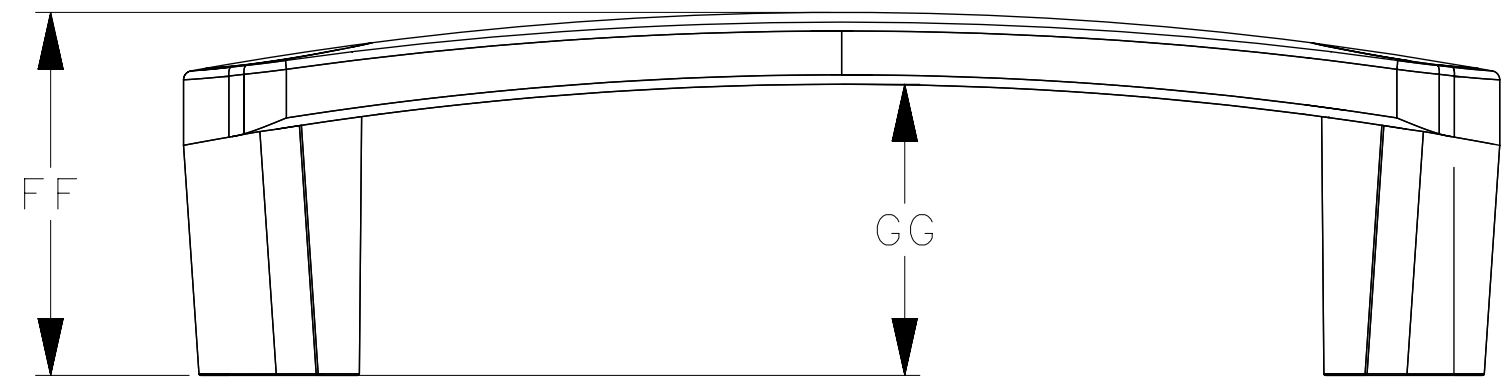


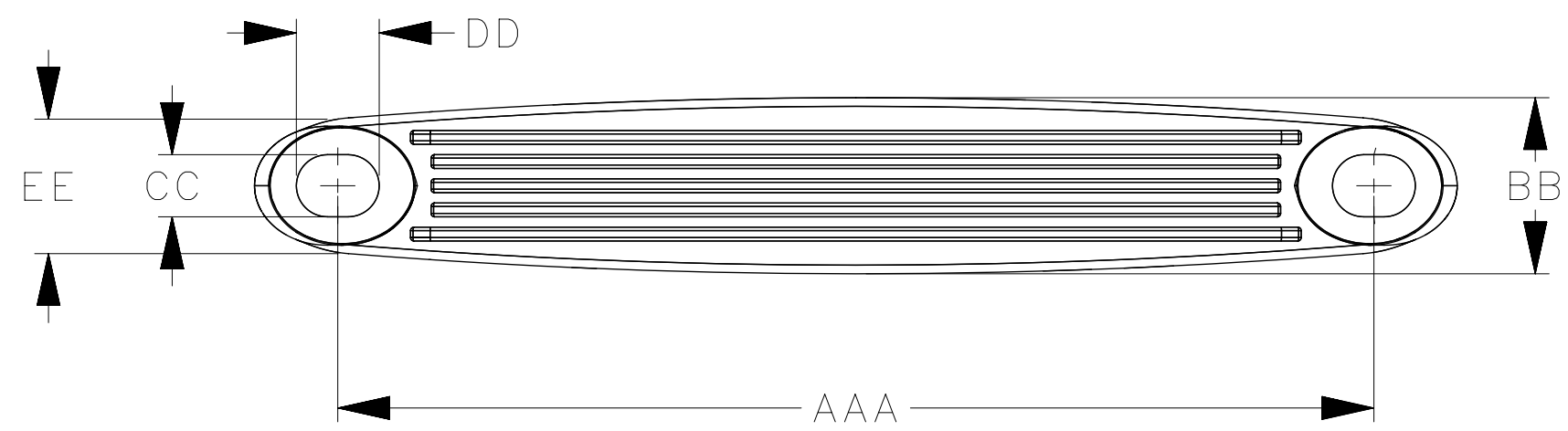
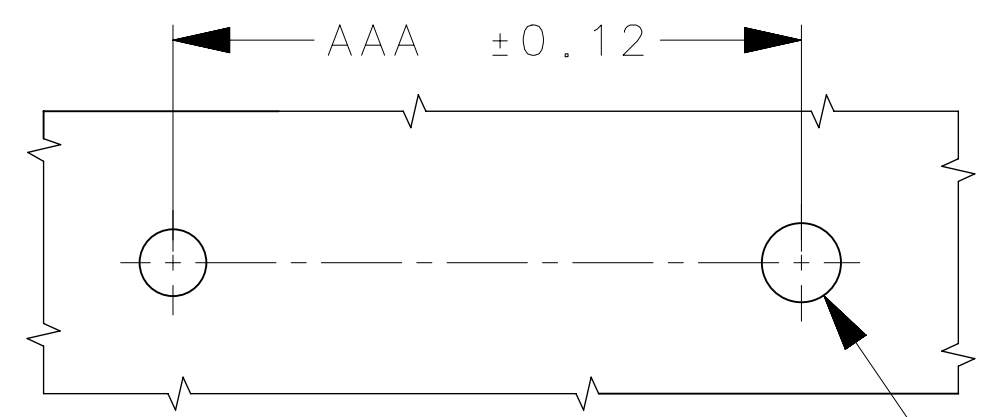
REVISION HISTORY			
REV	DATE	BY	DESCRIPTION
B	21DEC2023	SBK/VK	PRN: P2023-2365



SCALE 1:2



PANEL PREPARATION



2X \varnothing 9 ± 0.1 THRU HOLE FOR B8-DHUA-150-C
 6.5 ± 0.1 THRU HOLE FOR B8-DHUA-117-C

NOTES: -
 1. MOUNTING SCREWS NOT SUPPLIED.

B8-DHUA-150-C	B8-GRAB HANDLE	POLYAMIDE	BLACK	150	25.5	9	12	19.5	48	38.5	100
B8-DHUA-117-C	B8-GRAB HANDLE	POLYAMIDE	BLACK	115.5	24	6.5	9	19	40	32	75
SOUTHCO PART NUMBER	DESCRIPTION	MATERIAL	FINISH	AAA	BB	CC	DD	EE	FF	GG	LOAD CAPACITY (KG)

CPB NUMBER 2023-0391	THIRD ANGLE PROJECTION										
	MILLIMETERS [IN]										
SURFACE AREA mm ²	TOLERANCES UNLESS OTHERWISE NOTED	DESCRIPTION B8-GRAB HANDLE									
VOLUME mm ³	ALL DIMENSIONS WITHOUT TOLERANCES ARE FOR REFERENCE ONLY.	SIZE A3	SYSTEM NX	DWG NO. J-B8-DHUA							
PROPRIETARY ITEM EXCEPT FOR USES EXPRESSLY GRANTED IN WRITING, INFORMATION DISCLOSED HEREON IS CONFIDENTIAL AND ALL RIGHTS, PATENT AND OTHERWISE, ARE RESERVED BY SOUTHCO, INC.	PER ASME Y14.5M-2009	DRAWN BY SBK/VK	DATE 10JUL2023	SCALE 1:1	SHEET 1 OF 1						