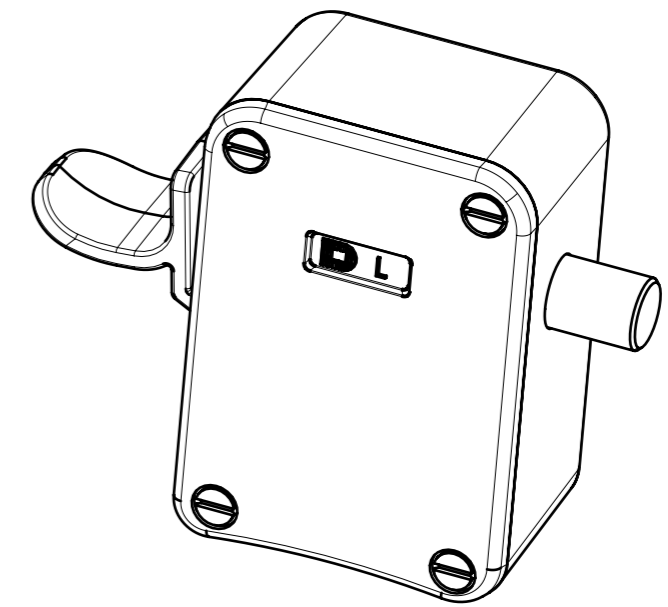
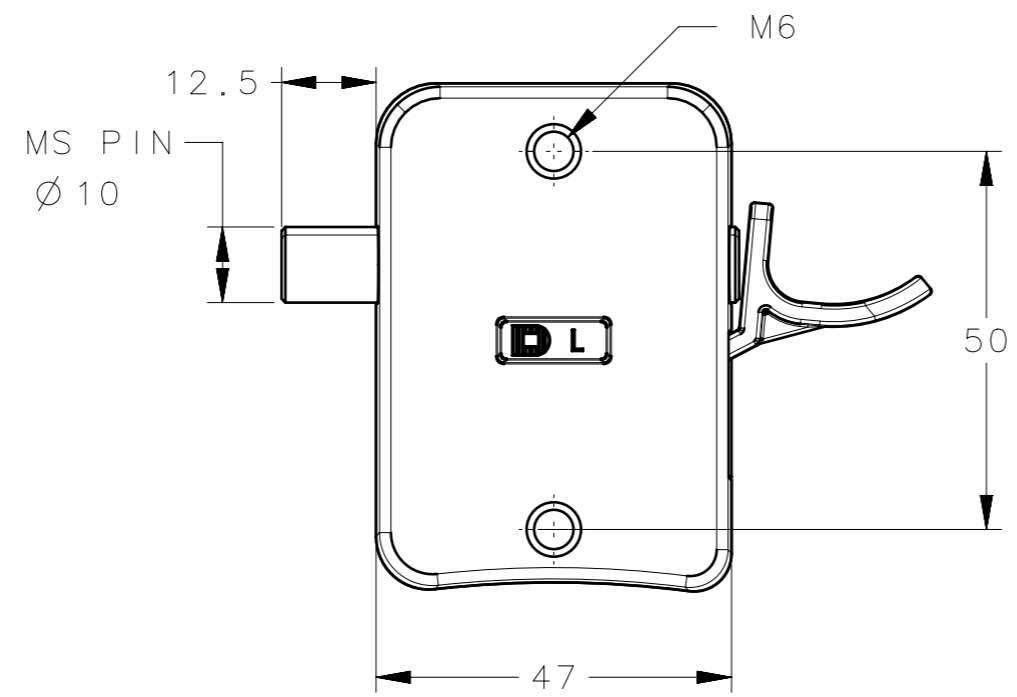
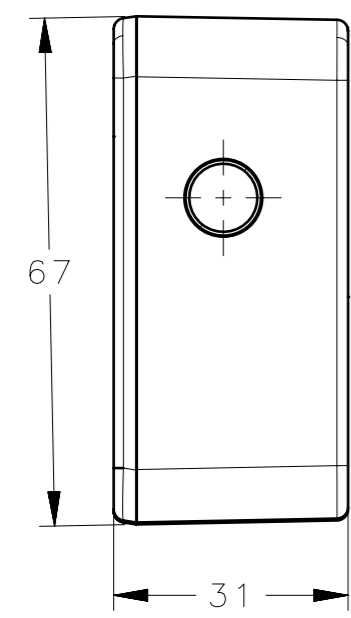
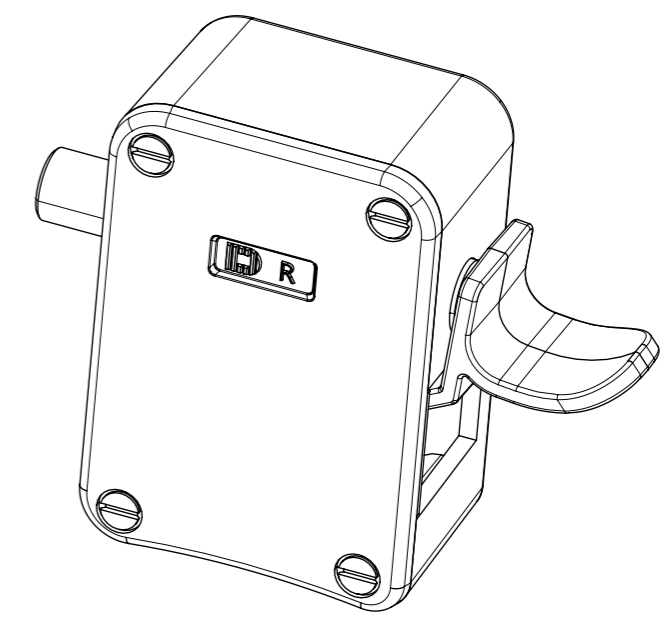


REVISION HISTORY			
REV	DATE	BY	DESCRIPTION
C	11MAR2024	SBK/NBK	PRN :P2024-0443

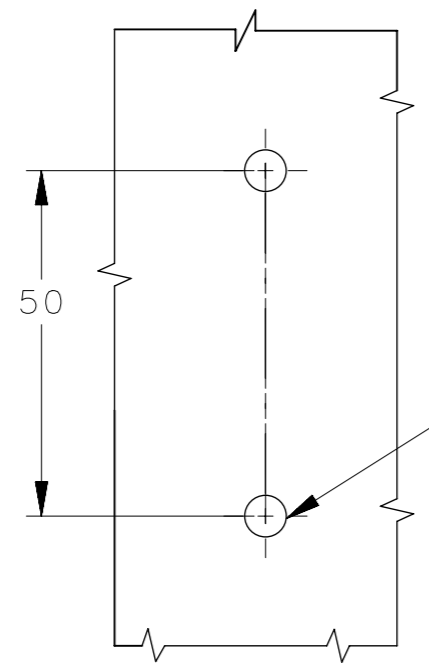


B8-DZWC2-L



B8-DZWC2-R

PANEL PREPARATION



2 x Ø 6.5±0.1 THRU FOR M6 SCREW

SCALE 1:1

NOTES:-  
1. MOUNTING SCREWS NOT SUPPLIED.

B8-DZWC2-R	B8 - SLIDING WINDOW LATCH	POLYAMIDE	BLACK
B8-DZWC2-L	B8 - SLIDING WINDOW LATCH	POLYAMIDE	BLACK
SOUTHCO PART NUMBER		DESCRIPTION	
CPB NUMBER 2023-0391		THIRD ANGLE PROJECTION	
SURFACE AREA mm <sup>2</sup>		MILLIMETERS [IN]	
VOLUME mm <sup>3</sup>		TOLERANCES UNLESS OTHERWISE NOTED	
PROPRIETARY ITEM		DESCRIPTION B8 - SLIDING WINDOW LATCH	
EXCEPT FOR USES EXPRESSLY GRANTED IN WRITING, INFORMATION DISCLOSED HEREON IS CONFIDENTIAL AND ALL RIGHTS, PATENT AND OTHERWISE, ARE RESERVED BY SOUTHCO, INC.		SIZE A3	SYSTEM NX
PER ASME Y14.5M-2009		DWG NO. J-B8-DZWC2	DATE 09AUG2023
DRAWN BY SBK		SCALE 1:1	SHEET 1 OF 1

