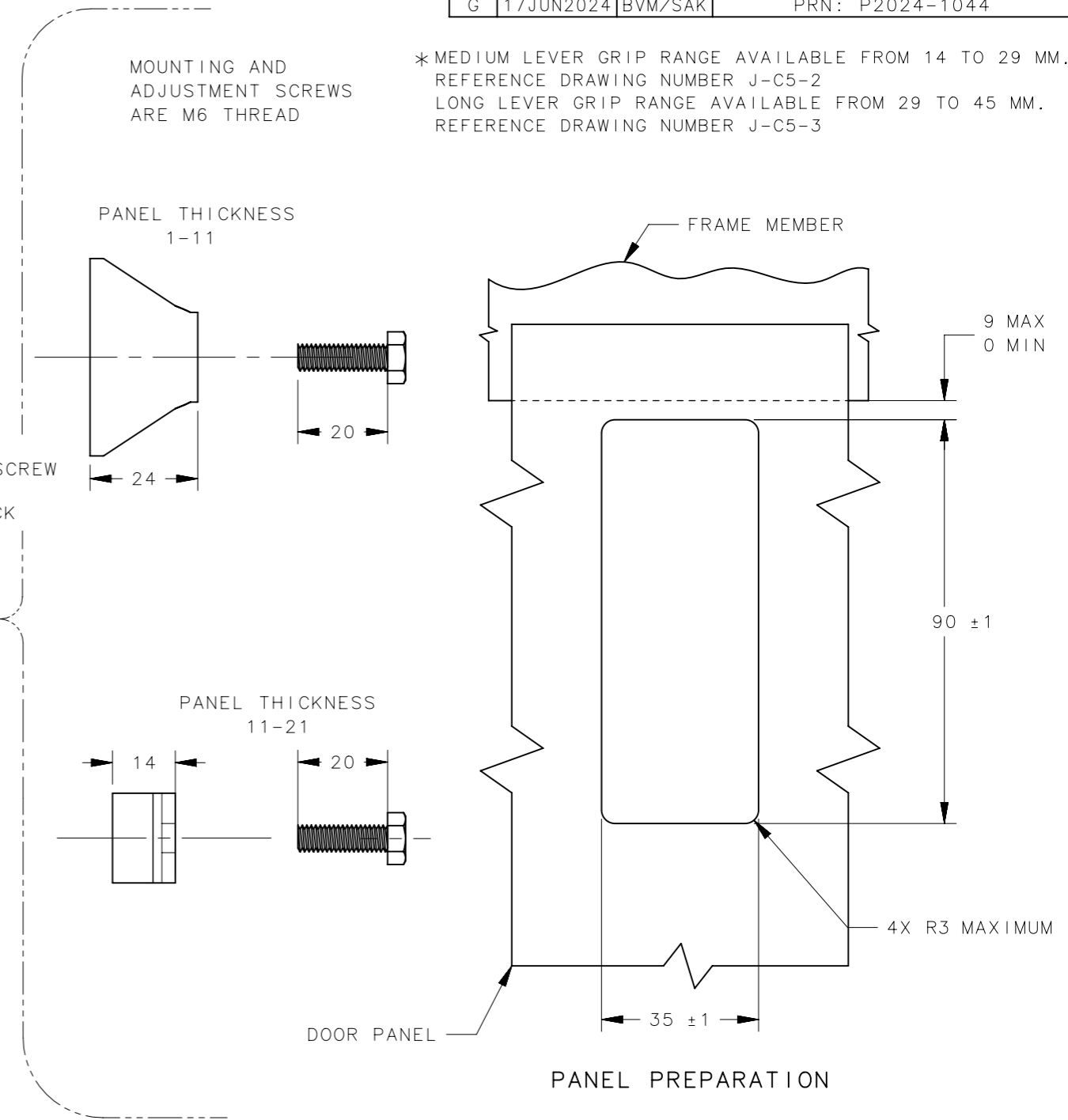
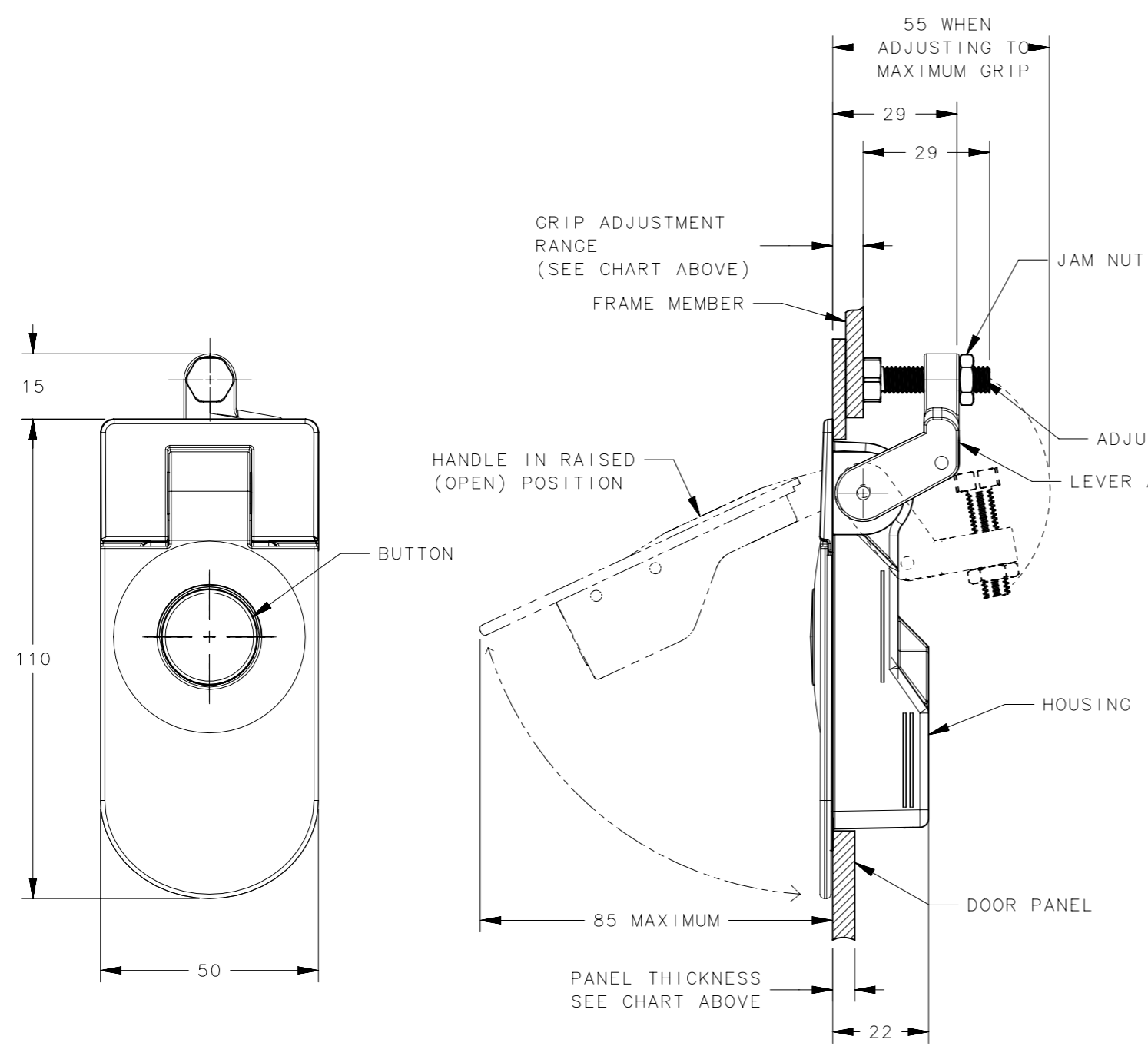


REVISION HISTORY			
REV	DATE	BY	DESCRIPTION
G	17JUN2024	BVM/SAK	PRN: P2024-1044

* MEDIUM LEVER GRIP RANGE AVAILABLE FROM 14 TO 29 MM.
 REFERENCE DRAWING NUMBER J-C5-2
 LONG LEVER GRIP RANGE AVAILABLE FROM 29 TO 45 MM.
 REFERENCE DRAWING NUMBER J-C5-3



- NOTES:
- MATERIAL AND FINISH:
 - HOUSING, HANDLE, BUTTON AND PAWL: DIE CAST ZINC, BLACK POWDER COAT WITH STEEL HARDWARE,
 - LEVER AND CRANK: DIE CAST ZINC, COATED WITH CLEAR CHEMICAL PROTECTIVE FILM,
 - BLACK TORSION SPRING: 303 STAINLESS STEEL, PASSIVATED,
 - ROLL PIN: 420 STAINLESS STEEL, PASSIVATED,
 - O-RING: BUNA-N, NATURAL
 - HARDWARE CONSISTS OF :
 - MOUNTING BRACKET 1010 STEEL, ZINC PLATED WITH SEALED CHROMATE.
 - MOUNTING SCREW
 - ADJUSTING SCREW
 - JAM NUT

11-21	1-14	C5-12-15
1-11		C5-11-15
PANEL THICKNESS	SHORT LEVER GRIP* RANGE	BLCK ASSEMBLY WITH PLATED STEEL HARDWARE

THIRD ANGLE PROJECTION				
MILLIMETERS [IN]				
TOLERANCES UNLESS OTHERWISE NOTED		DESCRIPTION SOUTHCO NO. C5 SEALED LEVER LATCH		
ALL DIMENSIONS WITHOUT TOLERANCES ARE FOR REFERENCE ONLY.		SIZE A3	SYSTEM NX	DWG NO. J-C5-1
PER ASME Y14.5M-2009		DRAWN BY JGK	DATE 18JUN1992	SCALE 0.75:1
<small>PROPRIETARY ITEM EXCEPT FOR USES EXPRESSLY GRANTED IN WRITING, INFORMATION DISCLOSED HEREON IS CONFIDENTIAL AND ALL RIGHTS, PATENT AND OTHERWISE, ARE RESERVED BY SOUTHCO, INC.</small>		SHEET 1 OF 1		