

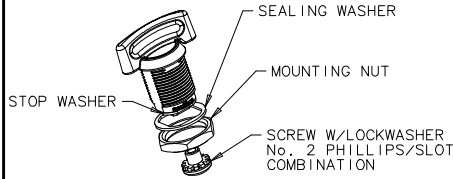
REV	DATE	DRAWN/CHKD	DESCRIPTION
C	20AUG2003	AJH/MJS	PRN: P2003-0714
D	16JUN2006	LCR/MDY	PRN: P2006-0051
E	24MAY2010	LCR	PRN: P2010-0507
F	26SEP2011	CMS/JCK	PRN: P2011-1239
G	26JUN2017	CMS/MGG	PRN: P2017-1525

INCHES [MM]

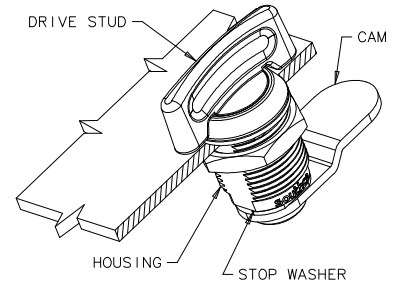
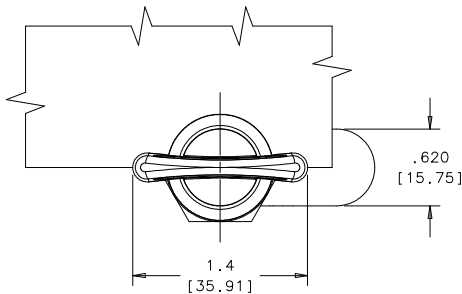
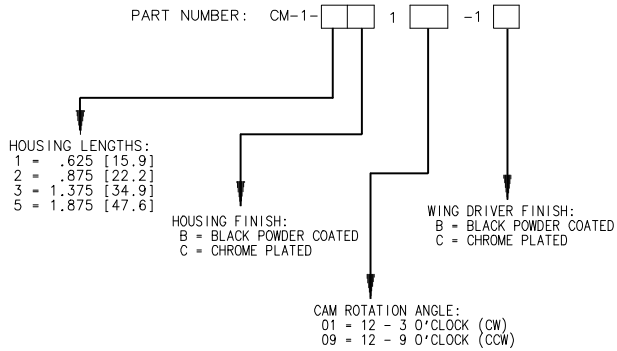
ALL DIMENSIONS WITHOUT TOLERANCES ARE FOR REFERENCE ONLY.

NOTES:

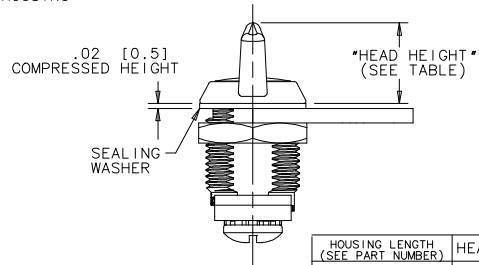
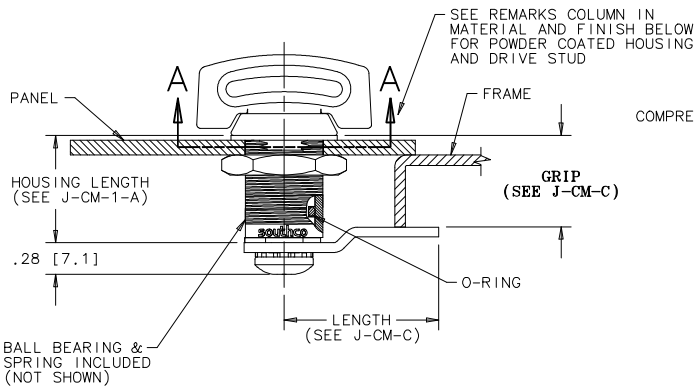
- A. FOR INSTALLATION AND PANEL PREPARATION SEE DRAWING J-CM-1-A.
- B. SEE J-CM-C FOR CAM PART NUMBERS.



**SUBASSEMBLY ONLY
(CAM ORDERED SEPARATELY)
PART No. CM-1-2B101-1B SHOWN**

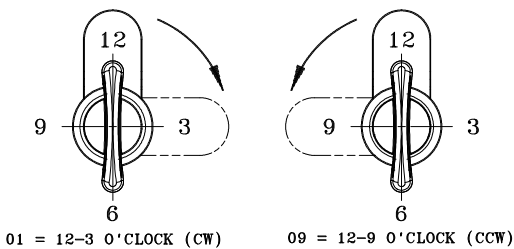


**PART NUMBER CM-1-2B101-1B SHOWN
ASSEMBLED WITH CAM CM-C210
(CAM ORDERED SEPARATELY)**



HOUSING LENGTH (SEE PART NUMBER)	HEAD HEIGHT
1	.73 [18.5]
2	
3	.65 [16.5]
5	

CAM ROTATION ANGLE



**PANEL PREPARATION
ORIENTATION**

MATERIAL AND FINISH

COMPONENT	MATERIAL DESCRIPTION	FINISH DESCRIPTION	REMARKS
DRIVE STUD	DIE CAST ZINC	CHROME PLATED	VISIBLE PORTION OF DRIVE STUD IN ASSEMBLY IS POWDER COATED
		TRIVALENT CHROMATE CONV. COATED & POWDER COATED	
HOUSING	DIE CAST ZINC	CHROME PLATED	HEAD IS POWDER COATED ABOVE SECTION A-A
		TRIVALENT CHROMATE CONV. COATED & POWDER COATED	
CAM	STEEL	ZINC PLATE, BRIGHT CHROMATE CONV. COATING	
O-RING	NITRILE	BLACK	
SEALING WASHER	NATURAL RUBBER(80°)	BLACK	
STOP WASHER	STEEL	ZINC PLATE, BRIGHT CHROMATE CONV. COATING	
SCREW WITH LOCKWASHER	STEEL	ZINC PLATE, BRIGHT CHROMATE CONV. COATING	
MOUNTING NUT	DIE CAST ZINC	TRIVALENT CHROMATE CONV. COATING	
BALL BEARING	STEEL		APPLIED W/GREASE
SPRING	STEEL		APPLIED W/GREASE