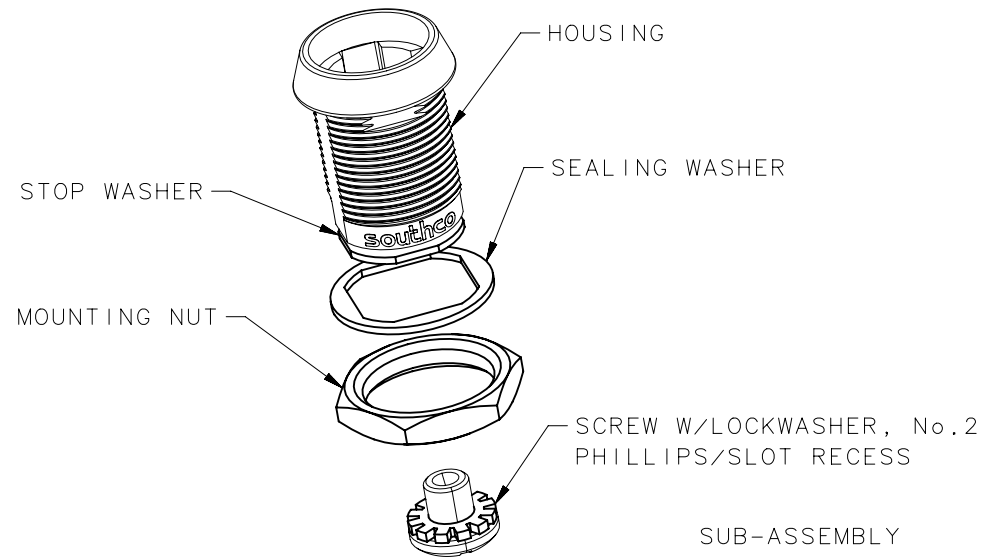


REVISION HISTORY			
REV	DATE	BY	DESCRIPTION
C	08APR2019	ASP/VK	PRN: P2019-0914

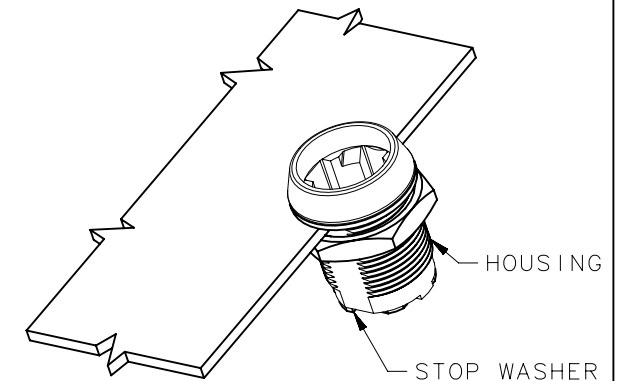


PART NUMBER : CM - 3 - [] [] 1 [] -NUB

HOUSING LENGTHS:
 1= .625 (15.875)
 2= .875 (22.225)
 6= 1.125 (28.575)
 3= 1.375 (34.925)
 4= 1.625 (41.275)
 5= 1.875 (47.625)

HOUSING FINISH:
 B= BLACK POWDER COATED
 C= CHROME PLATED

CAM ROTATION ANGLE:
 01= 12-3 0' CLOCK (CW)
 02= 12-9 0' CLOCK (CCW)

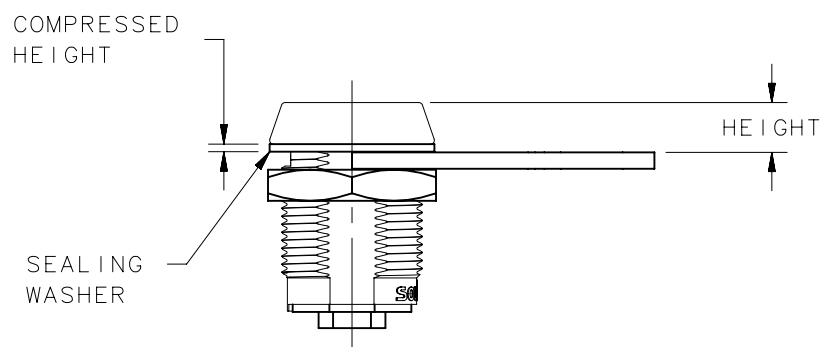
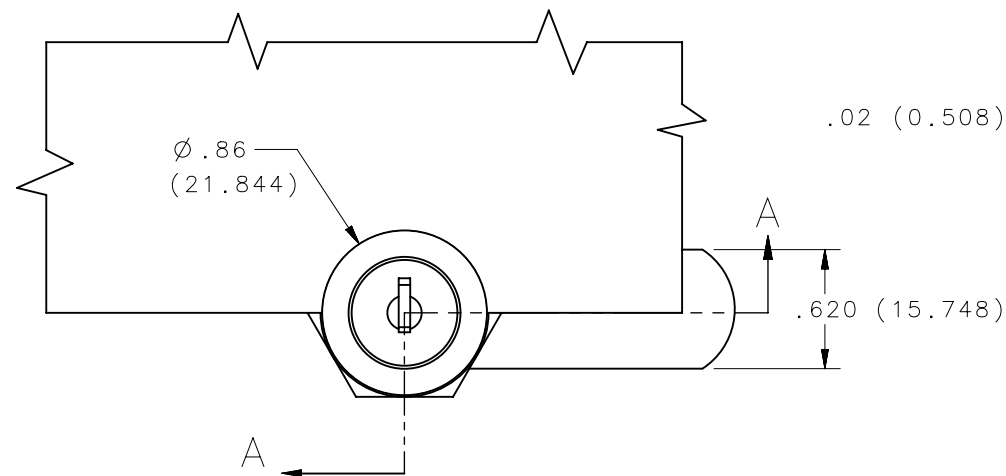


SCALE 4:5

SUB-ASSEMBLY
 PART No. CM-3-2B101-NUB SHOWN
 (CAM AND LOCK PLUG ORDERED SEPARATELY)
 SEE DWG J-CM-C FOR CAM PART NUMBERS
 SEE DWG J-PK-39 FOR LOCK PLUG PART NUMBERS

PART NUMBER CM-3-2B101-NUB SHOWN
 ASSEMBLED WITH CAM P/N CM-C210
 (CAM ORDERED SEPARATELY) AND LOCKPLUG
 PK-39-72-13 (ORDERED SEPARATELY)

HOUSING LENGTH	HEIGHT
1	.625 (15.875) .41 (10.414)
2	.875 (22.225) .22 (5.588)
6	1.125 (28.575) .22 (5.588)
3	1.375 (34.925) .22 (5.588)
4	1.625 (41.275) .22 (5.588)
5	1.875 (47.625) .22 (5.588)

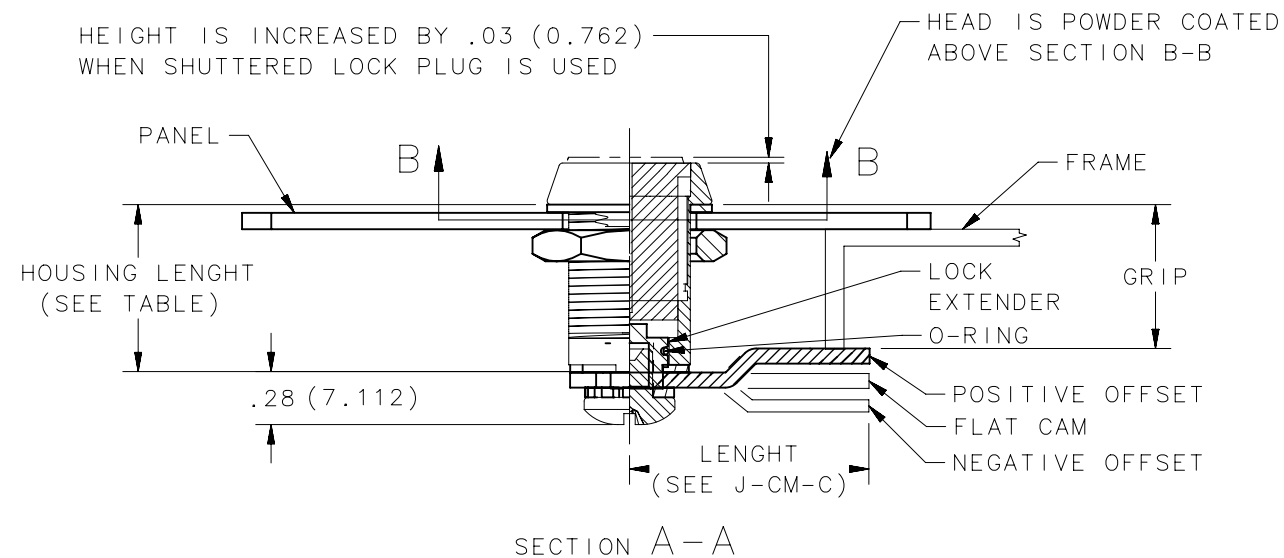


NOTES:

- FOR INSTALLATION AND PANEL PREPERATION SEE DRAWING J-CM-3-A.
- FOR LOCKPLUG INSTALLATION, SEE DRAWING J-CM-3-B.
- SEE J-CM-C FOR CAM PART NUMBERS.

HEIGHT IS INCREASED BY .03 (0.762) WHEN SHUTTERED LOCK PLUG IS USED

HEAD IS POWDER COATED ABOVE SECTION B-B



CPB NUMBER	STANDARD	THIRD ANGLE PROJECTION		
		INCHES [MM]		
SURFACE AREA	TOLERANCES UNLESS OTHERWISE NOTED		DESCRIPTION CAM LOCK, CORE REMOVABLE, SEALED	
VOLUME	ALL DIMENSIONS WITHOUT TOLERANCES ARE FOR REFERENCE ONLY.		SIZE B	SYSTEM NX
PROPRIETARY ITEM <small>EXCEPT FOR USES EXPRESSLY GRANTED IN WRITING, INFORMATION DISCLOSED HEREON IS CONFIDENTIAL AND ALL RIGHTS, PATENT AND OTHERWISE, ARE RESERVED BY SOUTHCO, INC.</small>	PER ASME Y14.5M-1994		DWG NO. J-CM-3	DATE 15NOV2005
		DRAWN BY LCR	SCALE 1:1	SHEET 1 OF 2

6

5

4

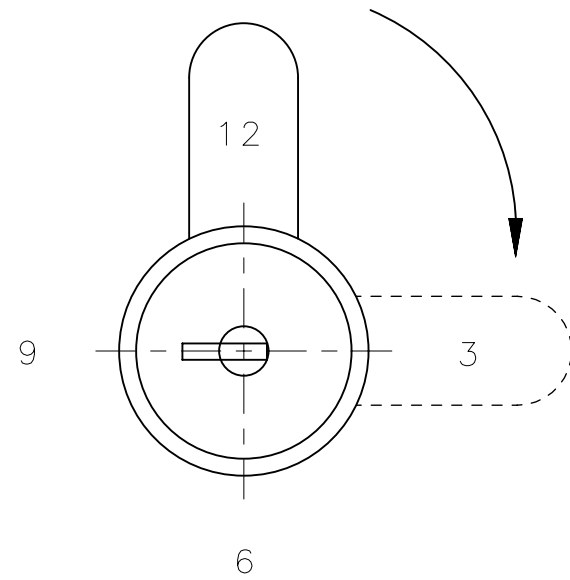
3

2

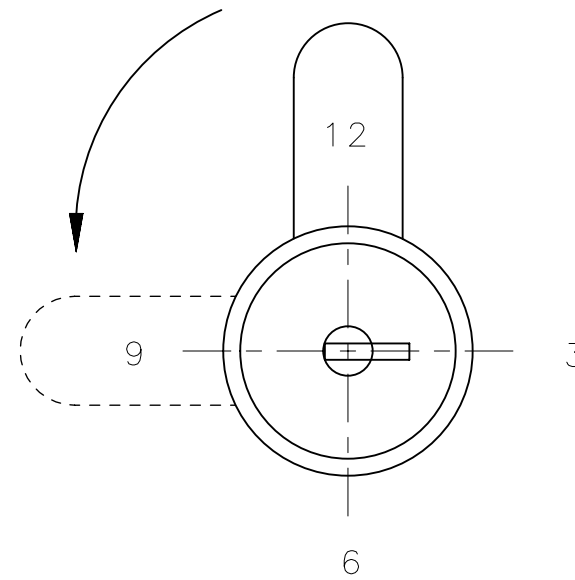
1

REVISION HISTORY			
REV	DATE	BY	DESCRIPTION
C	08APR2019	ASP/VK	PRN: P2019-0914

CAM ROTATION DIRECTION

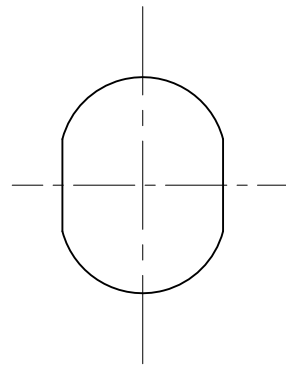


01 = 12-3 O'CLOCK (CW)



09 = 12-9 O'CLOCK (CCW)

PANEL PREPERATION ORIENTATION



MATERIAL AND FINISH :

COMPONENT	MATERIAL DESCRIPTION	FINISH DESCRIPTION	REMARKS
HOUSING	DIE CAST ZINC	CHROME PLATED	HEAD IS POWDER COATED ABOVE SECTION B-B
		TRIVALENT CHROMATE CONV. COATED & POWDER COATED	
CAM	STEEL	ZINC PLATE, BRIGHT CHROMATE CONV.COATING	
O-RING	NITRILE	BLACK	
SEALING WASHER	NATURAL RUBBER (80°)	BLACK	
STOP WASHER	STEEL	ZINC PLATE, BRIGHT CHROMATE CONV.COATING	
SCREW WITH LOCKWASHER	STEEL	ZINC PLATE, BRIGHT CHROMATE CONV.COATING	
MOUNTING NUT	DIE CAST ZINC	TRIVALENT CHROMATE CONV.COATING	
LOCK EXTENDER	DIE CAST ZINC	TRIVALENT CHROMATE CONV.COATING	

NOTE :

- LOCK PLUG POSITION SHOWN IN UNLOCKED POSITION
SOLID LINE CAM DEPICTS UNLOCKED CAM POSITION
DOTTED LINE CAM DEPICTS LOCKED CAM POSITION
LOCK PLUG IN THE LOCKED POSITION IS NOT SHOWN

CPB NUMBER	STANDARD	THIRD ANGLE PROJECTION	southco [®] CONNECT · CREATE · INNOVATE	
		INCHES [MM]		
SURFACE AREA	TOLERANCES UNLESS OTHERWISE NOTED		DESCRIPTION CAM LOCK , CORE REMOVABLE , SEALED	
VOLUME	ALL DIMENSIONS WITHOUT TOLERANCES ARE FOR REFERENCE ONLY.		SIZE B	SYSTEM NX
PROPRIETARY ITEM <small>EXCEPT FOR USES EXPRESSLY GRANTED IN WRITING, INFORMATION DISCLOSED HEREON IS CONFIDENTIAL AND ALL RIGHTS, PATENT AND OTHERWISE, ARE RESERVED BY SOUTHCO, INC.</small>	PER ASME Y14.5M-1994		DWG NO. J-CM-3	DATE 15NOV2005
			SCALE 1:1	SHEET 2 OF 2

6

5

4

3

2

1