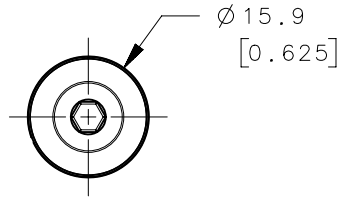
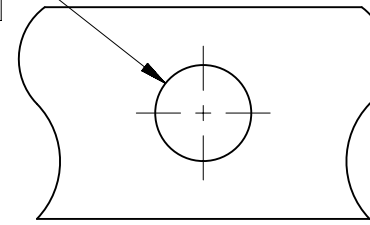


NOTE:  
PLEASE REFER TO DRAWINGS:  
J-D1-004-XXX-030SE  
J-D1-125-XXX-030SE  
J-D1-444-XXX-030SE  
FOR OTHER HEADSTYLE OPTIONS.

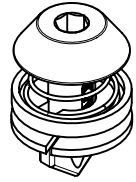
REVISION HISTORY			
REV	DATE	BY	DESCRIPTION
B	21NOV2014	CMS/ACH	PRN: P2014-2384



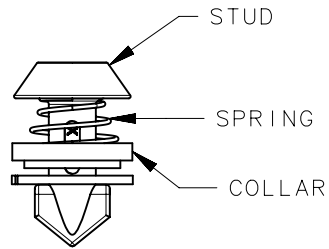
$\varnothing 12.7 \pm 0.1$   
[0.5  $\pm 0.004$ ]



PANEL PREPARATION

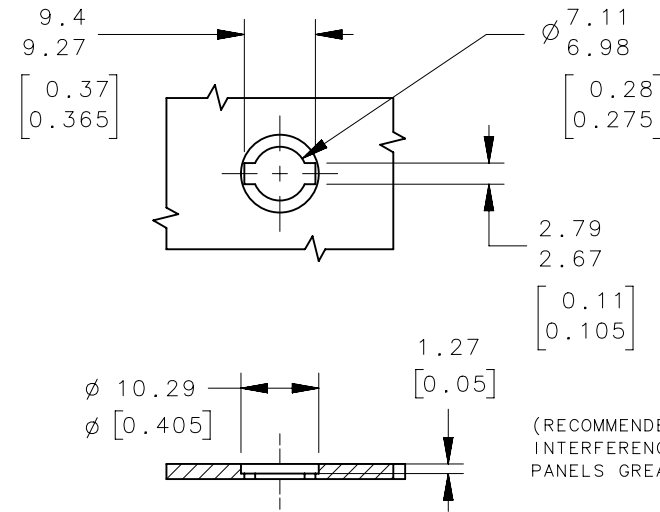
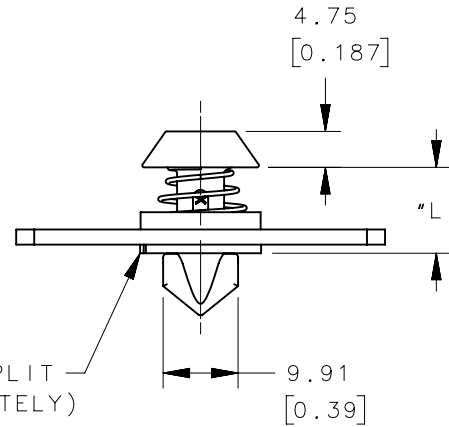


SCALE 1:1



D1-166-045-030 SHOWN

RETAINER SPLIT  
(SOLD SEPARATELY)



ALTERNATE PANEL STUD HOLE

ASSEMBLY PART NUMBER	STUD "L" DIM	EJECTING SPRING
D1-166-045-030SE	11.43	D1-X1135-2S
D1-166-050-030SE	12.70	D1-X1135-2S
D1-166-055-030SE	13.97	D1-X1135-2S
D1-166-060-030SE	15.24	D1-X1135-2S
D1-166-065-030SE	16.51	D1-X1135-2S
D1-166-070-030SE	17.78	D1-X1135-2S
D1-166-075-030SE	19.05	D1-X1137-2S
D1-166-080-030SE	20.32	D1-X1137-2S
D1-166-085-030SE	21.59	D1-X1137-2S
D1-166-090-030SE	22.86	D1-X1137-2S
D1-166-095-030SE	24.13	D1-X1137-2S
D1-166-100-030SE	25.40	D1-X1137-2S

5	D1-166-XXX-030SE	1	ASSEMBLY	-	-	
4	-	1	HEX RECESS STUD	NYLON 66 15% GF	BLACK	
3	-	1	COLLAR	ACETAL	BLACK	
2	D1-004-000-010	1	RETAINER SPLIT	ACETAL COPOLYMER	BLACK	
1	-	1	SPRING	STAINLESS STEEL	NATURAL	
NO.	SOUTHCO PART NUMBER	QTY	TYPE OF COMPONENT	MATERIAL	FINISH	GENERAL NOTES

THIRD ANGLE PROJECTION 	<b>southco</b> <sup>®</sup> CONNECT • CREATE • INNOVATE		DESCRIPTION D1 STANDARD DART HEX RECESS STUD SELF EJECTING ASSEMBLY			
	TOLERANCES UNLESS OTHERWISE NOTED		A4	NX	J-D1-166-XXX-030SE	
	ALL DIMENSIONS WITHOUT TOLERANCES ARE FOR REFERENCE ONLY. <small>EXCEPT FOR USES EXPRESSLY GRANTED IN WRITING, INFORMATION DISCLOSED HEREON IS CONFIDENTIAL AND ALL RIGHTS, PATENT AND OTHERWISE, ARE RESERVED BY SOUTHCO, INC.</small>		PER ASME Y14.5M-1994	DRAWN BY	DATE	SHEET
			ACH/MJS	08OCT2009	1 OF 1	