

**southco®**

PROPRIETARY ITEM - EXCEPT FOR USES EXPRESSLY GRANTED IN WRITING INFORMATION DISCLOSED HEREON IS CONFIDENTIAL AND ALL RIGHTS PATENT AND OTHERWISE ARE RESERVED BY SOUTHCO, INC.

No. D1 SLOTTED STUD

|           |       |      |       |                |
|-----------|-------|------|-------|----------------|
| DATE      | DRAWN | CHKD | SCALE | DRAWING NUMBER |
| 30MAR2005 | AJH   | JWS  | 2:1   | J-D1-444       |

| REV | DATE      | DRAWN/CHKD | DESCRIPTION     |
|-----|-----------|------------|-----------------|
| A   | 06MAR2013 | CMS/DGJ    | PRN: P2013-0512 |
|     |           |            |                 |
|     |           |            |                 |

| PART NUMBER    | MATERIAL               | COLOR | L (-XXX)  |
|----------------|------------------------|-------|-----------|
| D1-444-XXX-010 | ACETAL COPOLYMER RESIN | BLACK | SEE TABLE |
| D1-444-XXX-030 | GLASS FILLED NYLON     | BLACK |           |

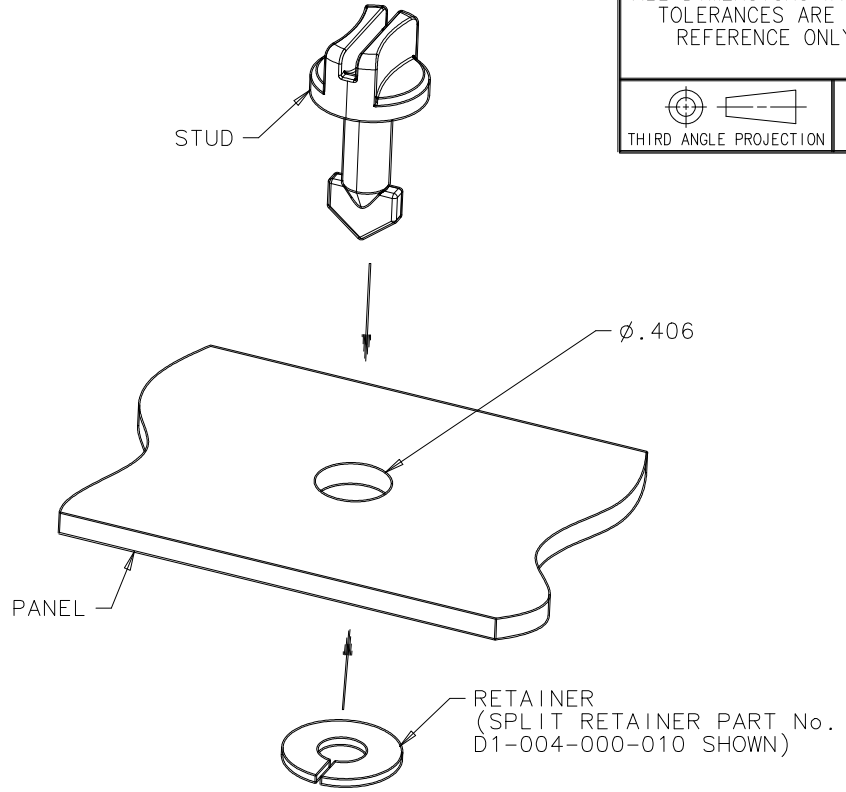
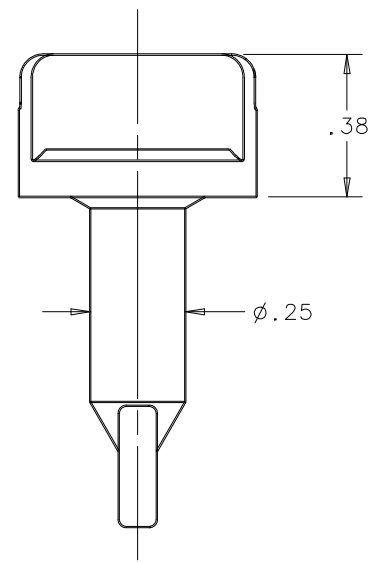
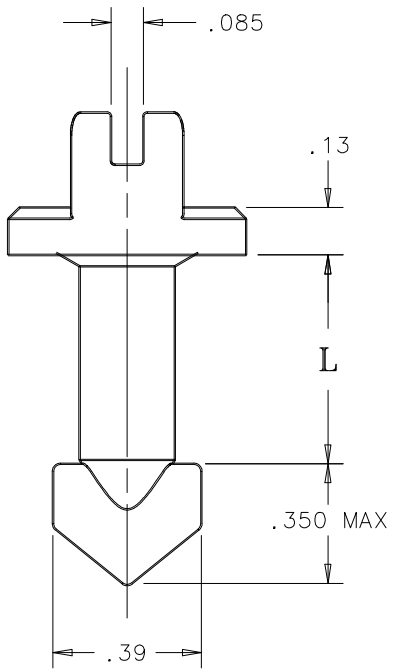
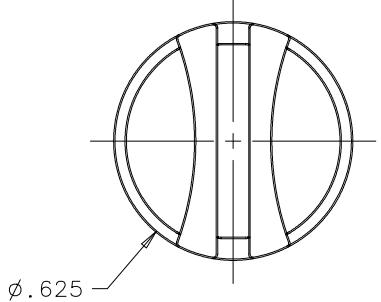
**INCHES**

ALL DIMENSIONS WITHOUT TOLERANCES ARE FOR REFERENCE ONLY.

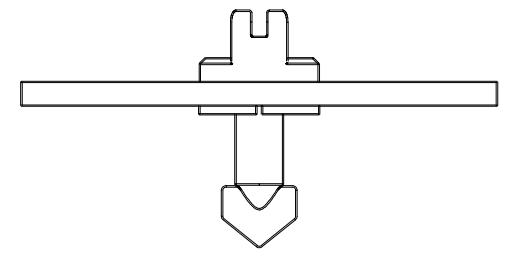
THIRD ANGLE PROJECTION

A PAPER SIZE

| L (-XXX) | LENGTH |
|----------|--------|
| -045-    | .450   |
| -050-    | .500   |
| -055-    | .550   |
| -060-    | .600   |
| -065-    | .650   |
| -070-    | .700   |
| -075-    | .750   |
| -080-    | .800   |
| -085-    | .850   |
| -090-    | .900   |
| -095-    | .950   |
| -100-    | 1.000  |



SCALE 1:1



**INSTALLED**  
(SCALE 1:1)