
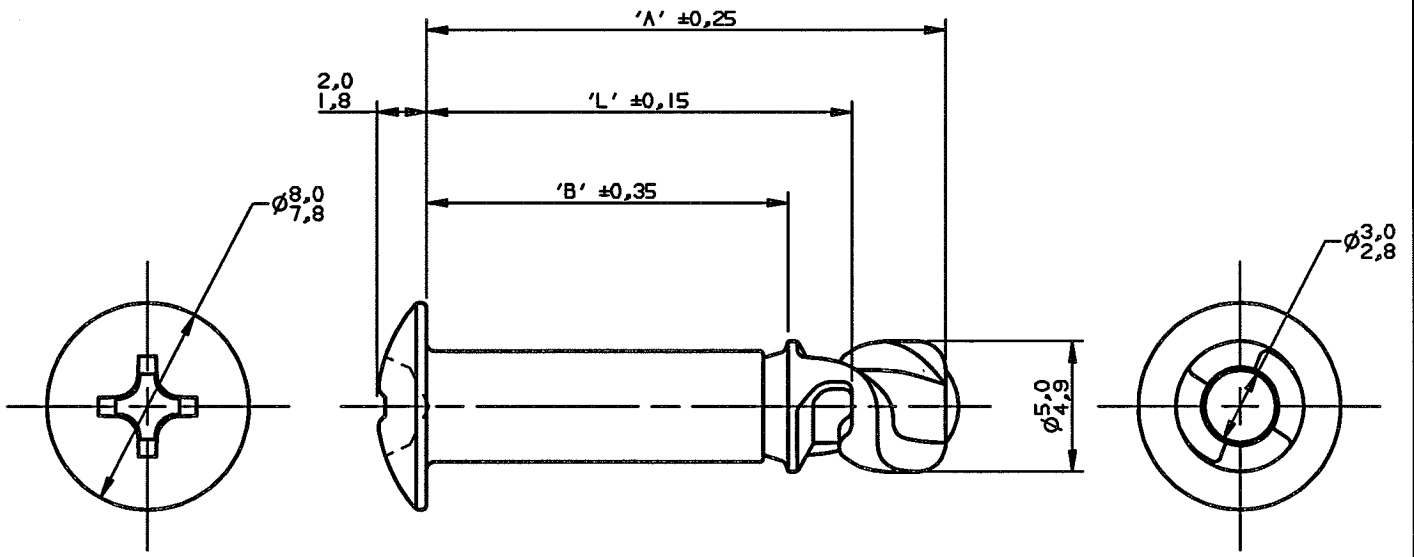


PROTECTIVE FINISH PART No.	STUD DIMENSIONS		
	'A'	'B'	'L'
515 708 IXX	11,5	5,5	8,0
515 709 IXX	12,5	6,5	9,0
515 710 IXX	13,5	7,5	10,0
515 711 IXX	14,5	8,5	11,0
515 712 IXX	15,5	9,5	12,0
515 713 IXX	16,5	10,5	13,0
515 714 IXX	17,5	11,5	14,0
515 715 IXX	18,5	12,5	15,0
515 716 IXX	19,5	13,5	16,0
515 717 IXX	20,5	14,5	17,0
515 718 IXX	21,5	15,5	18,0
515 719 IXX	22,5	16,5	19,0
515 720 IXX	23,5	17,5	20,0
515 721 IXX	24,5	18,5	21,0
515 722 IXX	25,5	19,5	22,0
515 723 IXX	26,5	20,5	23,0
515 724 IXX	27,5	21,5	24,0
515 725 IXX	28,5	22,5	25,0
515 726 IXX	29,5	23,5	26,0
515 727 IXX	30,5	24,5	27,0
515 728 IXX	31,5	25,5	28,0
515 729 IXX	32,5	26,5	29,0
515 730 IXX	33,5	27,5	30,0
515 731 IXX	34,5	28,5	31,0
515 732 IXX	35,5	29,5	32,0
515 733 IXX	36,5	30,5	33,0
515 734 IXX	37,5	31,5	34,0
515 735 IXX	38,5	32,5	35,0
515 736 IXX	39,5	33,5	36,0
515 737 IXX	40,5	34,5	37,0
515 738 IXX	41,5	35,5	38,0
515 739 IXX	42,5	36,5	39,0
515 740 IXX	43,5	37,5	40,0

southco		PROPRIETARY ITEM - EXCEPT FOR USES EXPRESSLY GRANTED IN WRITING INFORMATION DISCLOSED HEREIN IS CONFIDENTIAL AND ALL RIGHTS PATENT AND OTHERWISE ARE RESERVED BY SOUTHCO, INC.			TITLE RAPIER #5 STUD.			DATE 07.10.05	DRAWN/CHKD MW	SCALE 5:1	DRAWING NUMBER J-D2-515-7XX-1XX
REV 8	DATE 07.10.05	DRAWN/CHKD MJW	DESCRIPTION DRAWING REQUEST	PART NUMBER D2-515-7XX-1XX	MATERIAL SEE NOTE 2	FINISH SEE CHART					MILLIMETERS
ALL DIMENSIONS ARE FOR REFERENCE PURPOSES ONLY											
 THIRD ANGLE PROJECTION # INDICATES DIMENSION WITH SIGNIFICANT CHARACTERISTIC FILE NO. XX											



- NOTES.
- PHILLIPS RECESS IS NOT ORIENTATED WITH CAM.
 - MATERIAL: CARBON STEEL WIRE TO BS 3111 PART 1 TYPE 'O' CONDITION 'A' CASE HARDENED.

'XX' SUFFIX NUMBER	FINISH
30	CHROME FREE ORGANIC SILVER
31	CHROME FREE ORGANIC BLACK
90	ZINC PLATE AND TRIVALENT PASSIVATION
92	ZINC PLATE AND CLEAR PASSIVATION
94	ZINC PLATE AND BLACK PASSIVATION