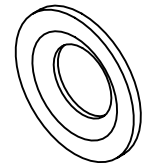
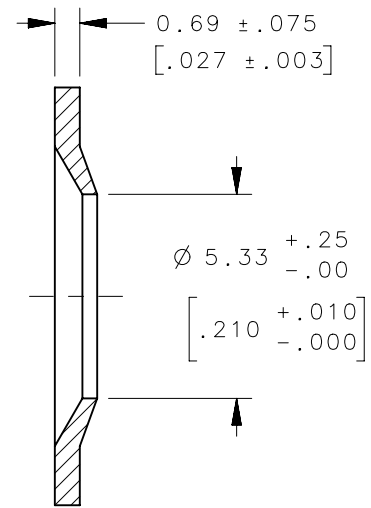
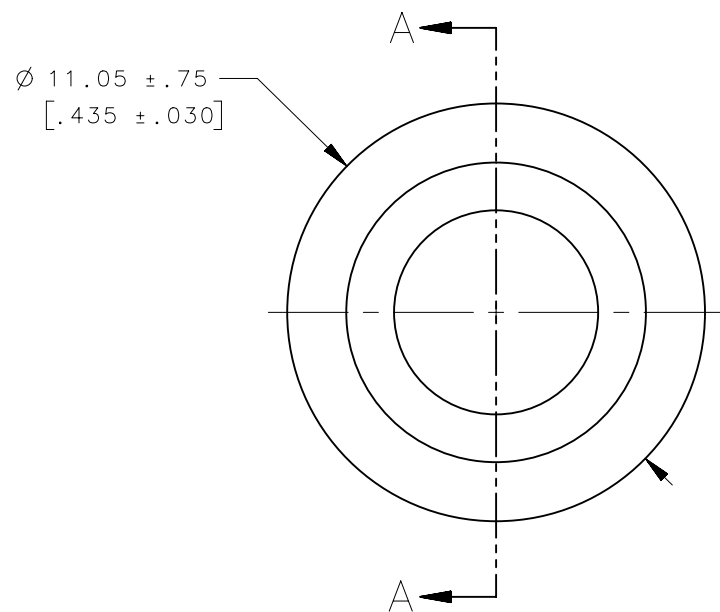


REVISION HISTORY			
REV	DATE	BY	DESCRIPTION
E	17FEB2017	CMS/NJF	PRN: P2017-0400



SCALE 2:1



SECTION A-A

D4-GP4B	POLYPROPYLENE	BLACK
D4-GP4	HD POLYTHENE	NATURAL
PART NUMBER	MATERIAL	COLOR

THIRD ANGLE PROJECTION	
MILLIMETERS [IN]	
TOLERANCES UNLESS OTHERWISE NOTED	
ALL DIMENSIONS WITHOUT TOLERANCES ARE FOR REFERENCE ONLY.	
PER ASME Y14.5M-1994	

<b>southco</b> <sup>®</sup>			
CONNECT • CREATE • INNOVATE			
DESCRIPTION HALF GROMMET			
SIZE A4	SYSTEM NX	DWG NO. J-D4-GP4	
DRAWN BY MJW	DATE 30JUL2007	SCALE 5:1	SHEET 1 OF 1

PROPRIETARY ITEM  
EXCEPT FOR USES EXPRESSLY GRANTED  
IN WRITING, INFORMATION DISCLOSED  
HEREON IS CONFIDENTIAL AND ALL  
RIGHTS, PATENT AND OTHERWISE,  
ARE RESERVED BY SOUTHCO, INC.