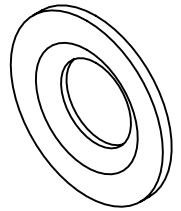
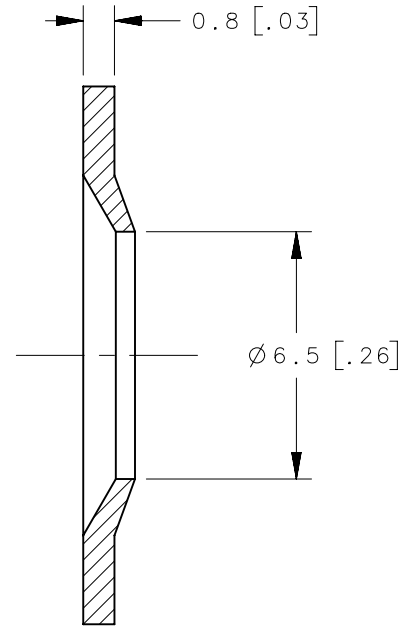
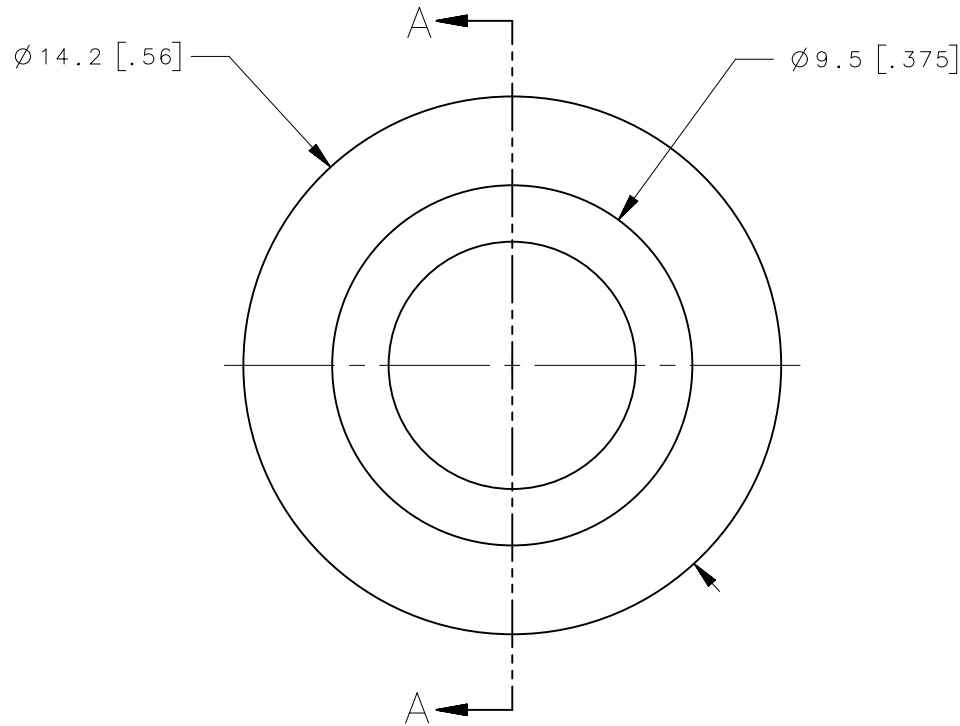


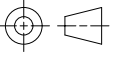
REVISION HISTORY			
REV	DATE	BY	DESCRIPTION
E	10OCT2013	CMS/JCG	PRN: P2013-1992



SCALE 2:1

SECTION A-A

D4-GP5W	POLYTHENE	WHITE
D4-GP5B	POLYPROPYLENE	BLACK
D4-GP5	POLYTHENE	NATURAL
PART NUMBER	MATERIAL	COLOR

	THIRD ANGLE PROJECTION	 southco [®] CONNECT • CREATE • INNOVATE			
	MILLIMETERS [IN]				
	TOLERANCES UNLESS OTHERWISE NOTED	DESCRIPTION GROMMET			
SURFACE AREA	ALL DIMENSIONS WITHOUT TOLERANCES ARE FOR REFERENCE ONLY.	SIZE	SYSTEM	DWG NO.	
VOLUME		A 4	NX	J-D4-GP5	
PROPRIETARY ITEM EXCEPT FOR USES EXPRESSLY GRANTED IN WRITING, INFORMATION DISCLOSED HEREON IS CONFIDENTIAL AND ALL RIGHTS, PATENT AND OTHERWISE, ARE RESERVED BY SOUTHCO, INC.	PER ASME Y14.5M-1994	DRAWN BY	DATE	SCALE	SHEET
		MJW	22JUN2006	5:1	1 OF 1