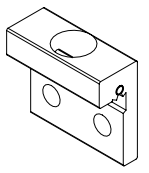
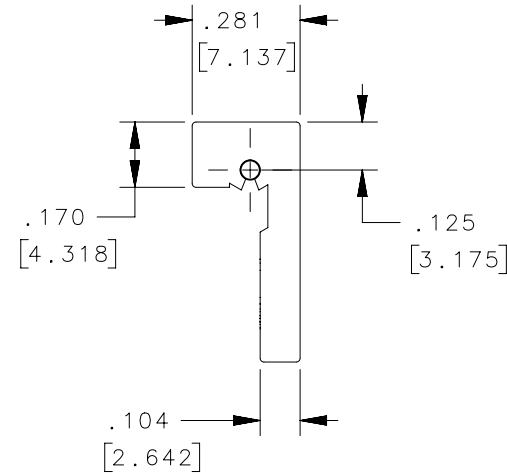
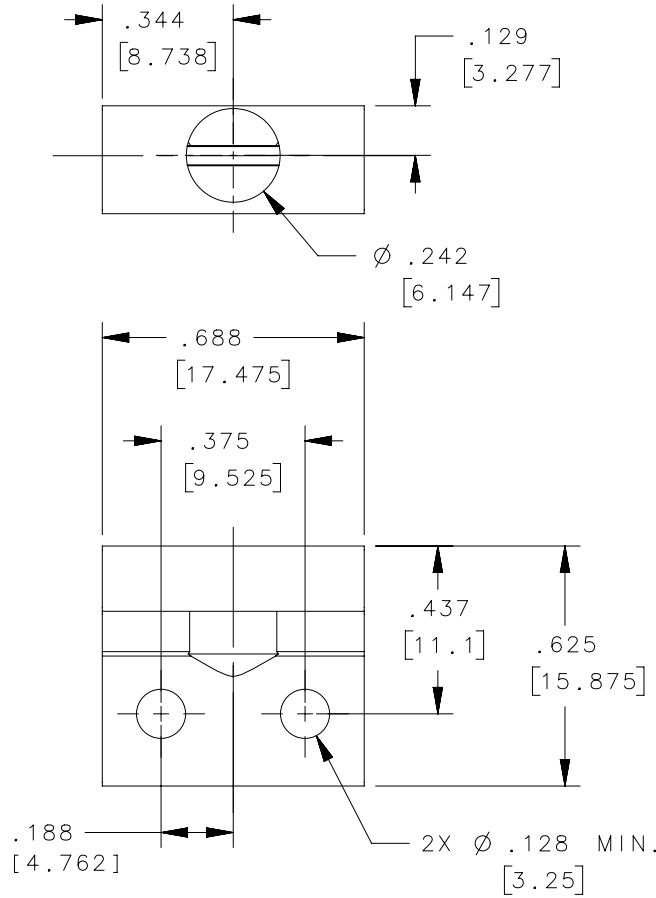


REVISION HISTORY			
REV	DATE	BY	DESCRIPTION
B	27JAN2015	DMS/YGC	PRN: P2015-0200



SCALE 1:1

NO.	PART NUMBER	QTY	TYPE OF COMPONENT	MATERIAL	FINISH
2	-	1	WIRE	BS 2S 205:2004 (AEROSPACE)	NATURAL
1	-	1	STRIP	6061-T6 ALUMINUM	ANODIZED
-	D5-PRB35QA	1	RECEPTACLE ASSEMBLY	-	-
2	-	1	WIRE	316 STAINLESS STEEL	NATURAL
1	-	1	STRIP	6061-T6 ALUMINUM	NATURAL
-	D5-PRB35	1	RECEPTACLE ASSEMBLY	-	-

THIRD ANGLE PROJECTION		 CONNECT • CREATE • INNOVATE		
INCHES [MM]				
TOLERANCES UNLESS OTHERWISE NOTED		DESCRIPTION D5 RIGHT ANGLE RECEPTACLE STRIP		
ALL DIMENSIONS WITHOUT TOLERANCES ARE FOR REFERENCE ONLY.		SIZE A	SYSTEM NX	DWG NO. J-D5-PRB35
PER ASME Y14.5M-1994		DRAWN BY MJS/JSS	DATE 14DEC2006	SCALE 2:1
<small>PROPRIETARY ITEM</small> <small>EXCEPT FOR USES EXPRESSLY GRANTED IN WRITING, INFORMATION DISCLOSED HEREON IS CONFIDENTIAL AND ALL RIGHTS, PATENT AND OTHERWISE, ARE RESERVED BY SOUTHCO, INC.</small>		SHEET 1 OF 1		