

**southco®**

PROPRIETARY ITEM - EXCEPT FOR USES EXPRESSLY GRANTED IN WRITING INFORMATION DISCLOSED HEREON IS CONFIDENTIAL AND ALL RIGHTS PATENT AND OTHERWISE ARE RESERVED BY SOUTHCO, INC.

**PILOT STANDARD RECEPTACLE**

DATE	DRAWN	CHKD	SCALE
02FEB2006	KN		5:1

DRAWING NUMBER  
**J-D7-285-1**

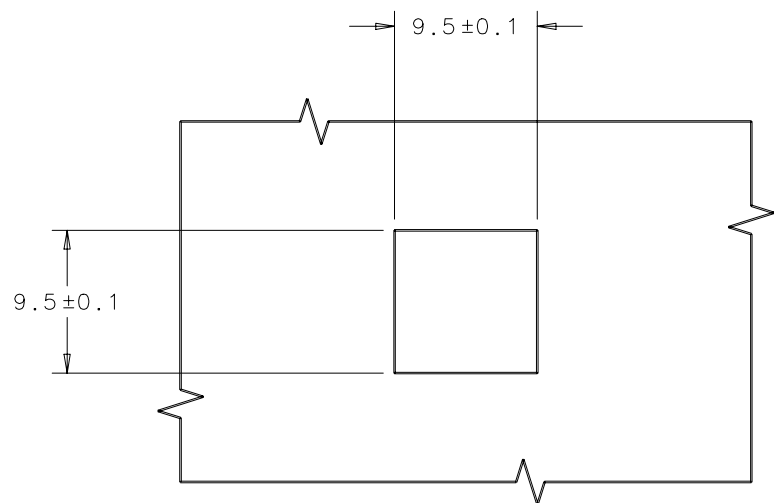
REV	DATE	DRAWN/CHKD	DESCRIPTION	PART NUMBER	MATERIAL	FINISH	'S'	SUPPORT THICKNESS
				D7-285-101-161			2.10	0.7 - 1.2
				D7-285-102-161	SPRING STEEL	ZINC PHOSPHATE	2.60	1.3 - 1.7
				D7-285-103-161			3.10	1.8 - 2.2

**MILLIMETERS**

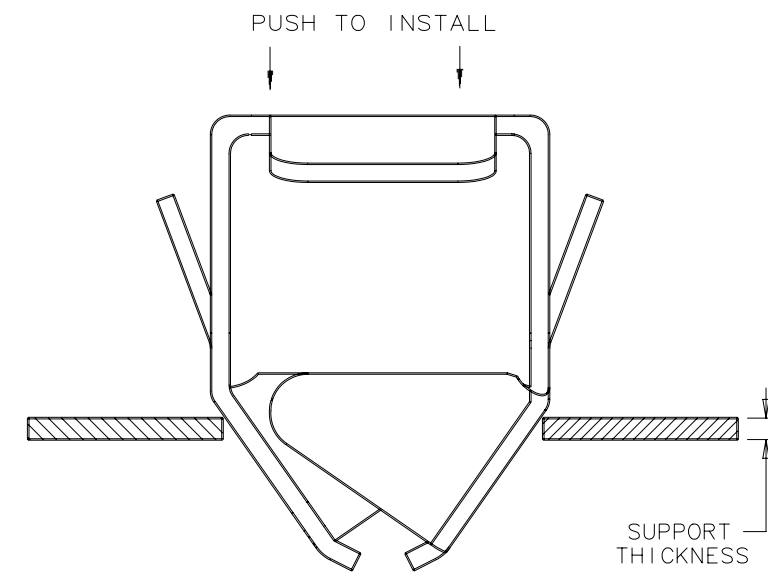
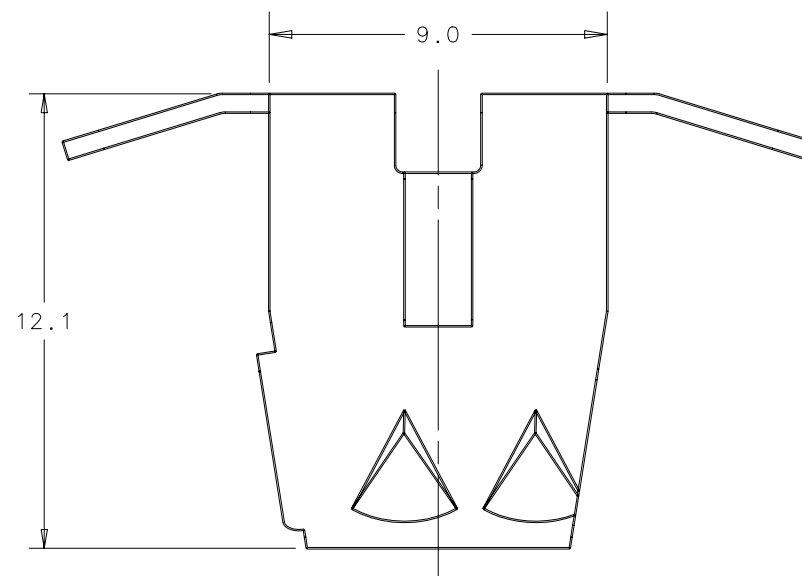
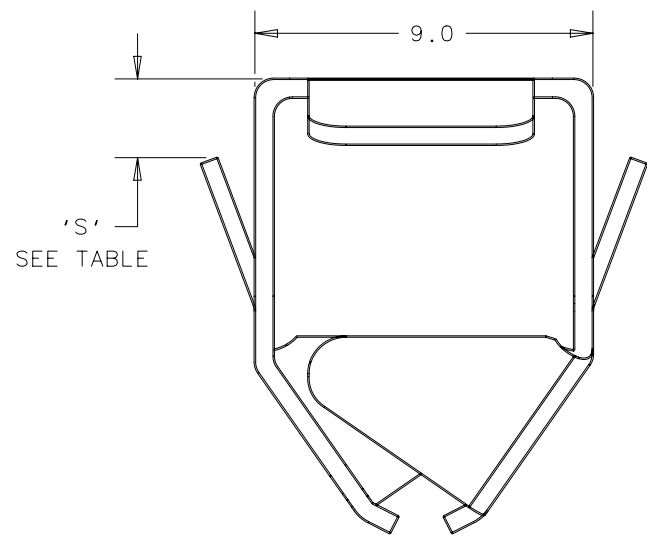
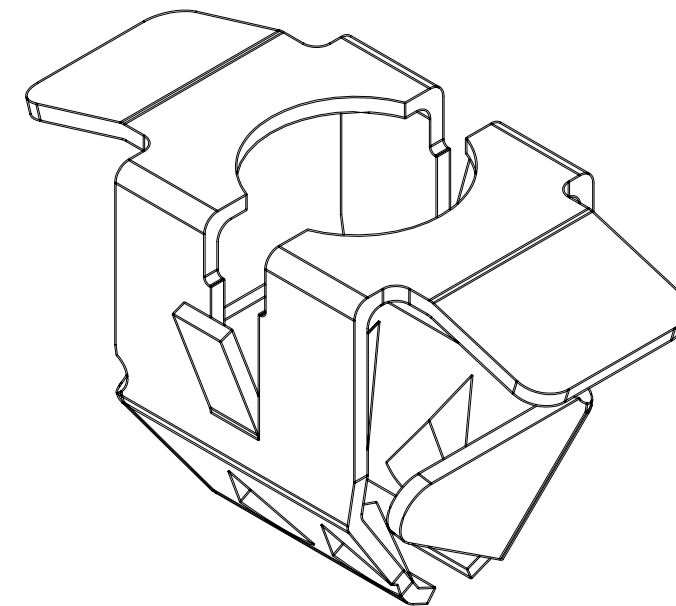
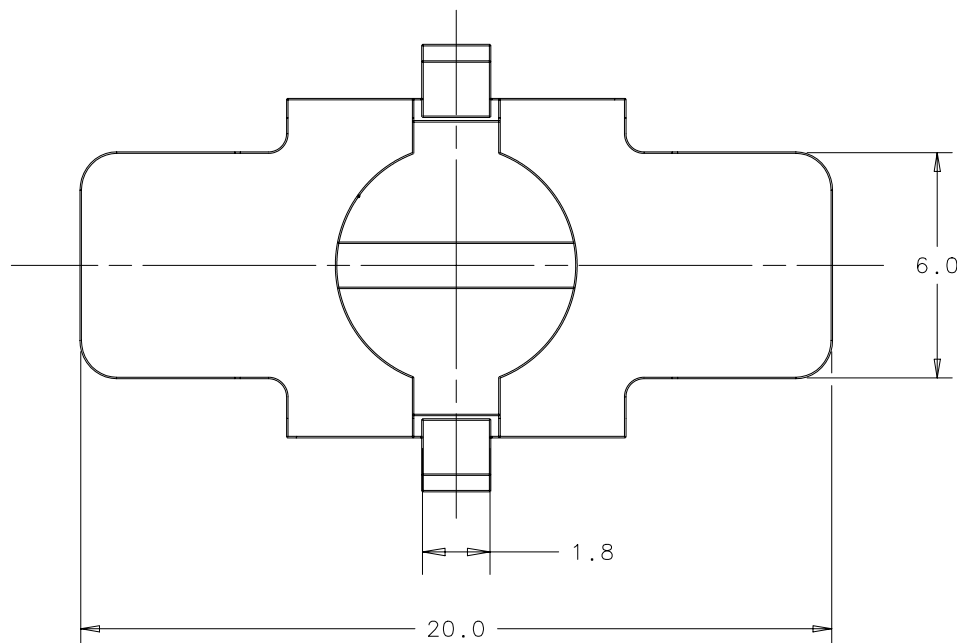
ALL DIMENSIONS WITHOUT TOLERANCES ARE FOR REFERENCE ONLY.

THIRD ANGLE PROJECTION  
A3 PAPER SIZE

PANEL PREPERATION



SCALE 2:1



INSTALLATION