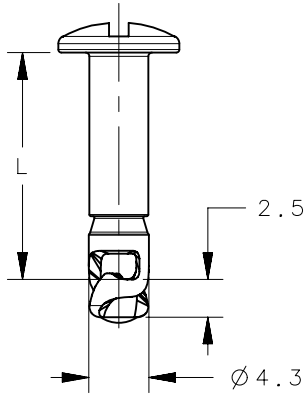


# D8-314-H K-F

REVISION HISTORY			
REV	DATE	BY	DESCRIPTION
1	03DEC2018	DKM/DMS	PRN: P2018-2763



- H-HEAD STYLE OPTIONS
- 1-SLOTTED
  - 2-HEX RECESS
  - 3-WING
  - 30-LONG WING
  - 4-RING
  - 7-PHILLIPS RECESS

- F-FINISH OPTIONS
- 121-SILVER ORGANIC COATING PLUS SEALER
  - 130-SILVER POLYMER COATING PLUS SEALER
  - 131-BLACK POLYMER COATING PLUS SEALER
  - 142-BLACK ORGANIC COATING
  - 170-BRIGHT CHROME
  - 172-BRIGHT CHROME PLUS DOUBLE NICKEL LAYER
  - 190-ZINC PLATE PLUS CLEAR CHROMATE
  - 191-ZINC PLATE PLUS BLACK CHROMATE

K-STUD 'L' DIMENSIONS

K	'L' ±.15
08	8.0
09	9.0
10	10.0
11	11.0
12	12.0
13	13.0
14	14.0
15	15.0
16	16.0
17	17.0
18	18.0
19	19.0
20	20.0
21	21.0
22	22.0
23	23.0
24	24.0
25	25.0
26	26.0
27	27.0
28	28.0
29	29.0
30	30.0
31	31.0
32	32.0
33	33.0
34	34.0
35	35.0
36	36.0
37	37.0
38	38.0

SLOTTED	HEX RECESS	WING	LONG WING	RING HANDLE	NO.2 PHILLIPS RECESS
ORIENTED WITH CAM	NOT ORIENTED WITH CAM	ORIENTED WITH CAM	ORIENTED WITH CAM	ORIENTED WITH CAM	NOT ORIENTED WITH CAM

- NOTES:
1. MATERIAL: CASE HARDENED STEEL.
  2. PANEL PREPARATION  $\varnothing 5.2/5.0$
  3. SEE DRAWING J-D8-06 FOR ADDITIONAL FINISHES.

PROPRIETARY ITEM <small>EXCEPT FOR USES EXPRESSLY GRANTED IN WRITING, INFORMATION DISCLOSED HEREON IS CONFIDENTIAL AND ALL RIGHTS, PATENT AND OTHERWISE, ARE RESERVED BY SOUTHCO, INC.</small>	THIRD ANGLE PROJECTION 	 CONNECT • CREATE • INNOVATE	
	MILLIMETERS [IN]	DESCRIPTION	
	TOLERANCES UNLESS OTHERWISE NOTED	PANEX QUARTER-TURN SIZE 4 STUD	
	ALL DIMENSIONS WITHOUT TOLERANCES ARE FOR REFERENCE ONLY.	SIZE	SYSTEM
PER ASME Y14.5M-1994	A4	NX	J-D8-314
	DRAWN BY	DATE	SCALE SHEET
	MJW	10DEC2008	2:1 1 OF 1