

southco

PROPRIETARY ITEM - EXCEPT FOR USES EXPRESSLY GRANTED IN WRITING INFORMATION DISCLOSED HEREON IS CONFIDENTIAL AND ALL RIGHTS PATENT AND OTHERWISE ARE RESERVED BY SOUTHCO, INC.

TITLE

D8 TAMPER KEY ASSEMBLY

DATE
25-10-09

DRAWN
DME

CHKD
DC

SCALE
1:1

DRAWING NUMBER
J-D8-316-007-969

REV	DATE	DRAWN/CHKD	DESCRIPTION	PART NUMBER	MATERIAL	FINISH				
A	25-10-09	DME/DC	NEW DRAWING PRN P2009-1241	D8-316-007-969	SEE NOTE	SEE NOTE				

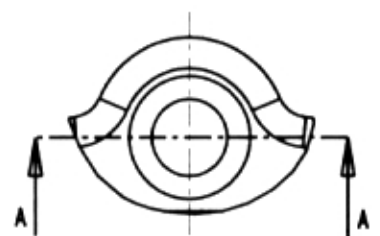
MILLIMETERS

DIMENSIONS ARE FOR REFERENCE PURPOSES ONLY UNLESS OTHERWISE SPECIFIED

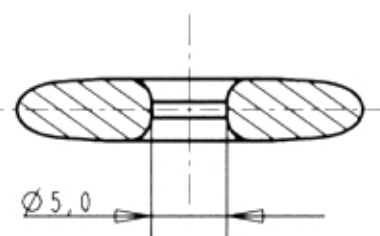
THIRD ANGLE PROJECTION  A4 PAPER SIZE

INDICATES DIMENSION WITH SIGNIFICANT CHARACTERISTIC

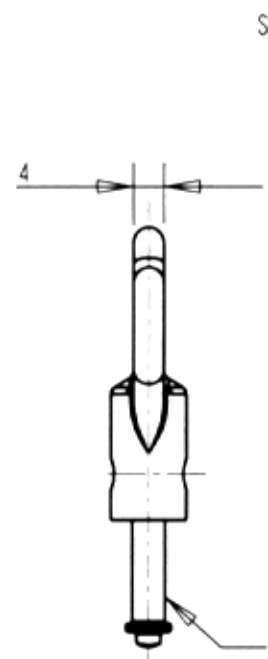
FILE No. XX



DETAIL A
SCALE 2.000

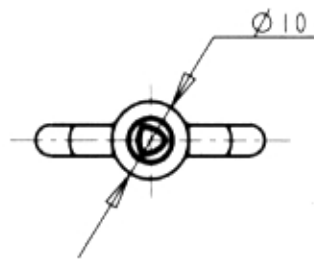
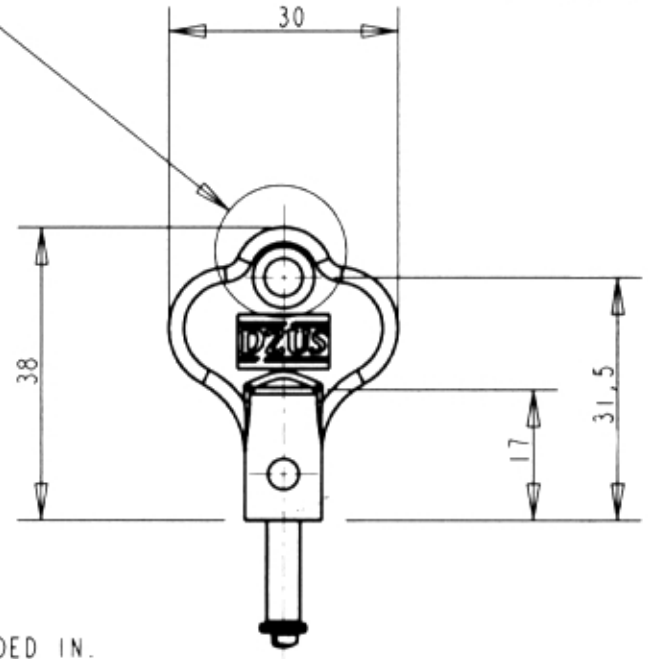


SECTION A-A



SEE DETAIL A

TAMPER KEY MOULDED IN.



- NOTES:
1. MIXED MATERIALS.
FOB MOULDING: BLACK ACETAL CO-POLYMER.
TAMPER KEY: STEEL, ZINC & TRIVALENT PASS. PLATED.