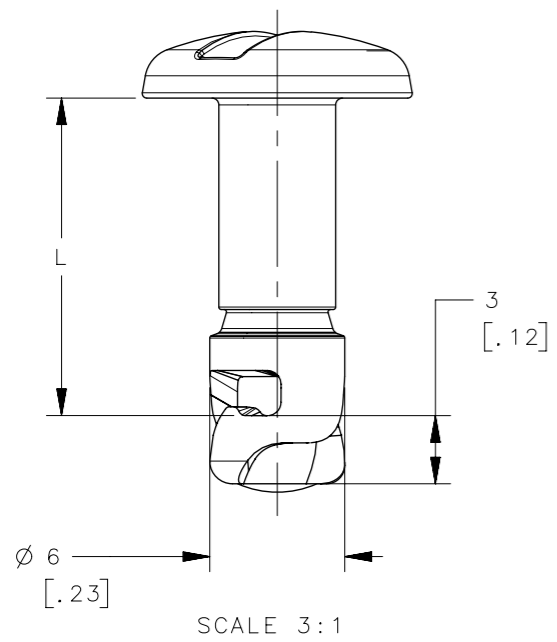


REVISION HISTORY			
REV	DATE	BY	DESCRIPTION
L	30OCT2019	ZAA/MGG	PRN: P2019-2683



D8-316-H K-F-C

- H-HEAD STYLE OPTIONS
- 1-SLOTTED
 - 2-HEX RECESS
 - 3-WING
 - 30-LONG WING
 - 4-RING
 - 6-TAMPER RESISTANT
 - 7-PHILLIPS RECESS

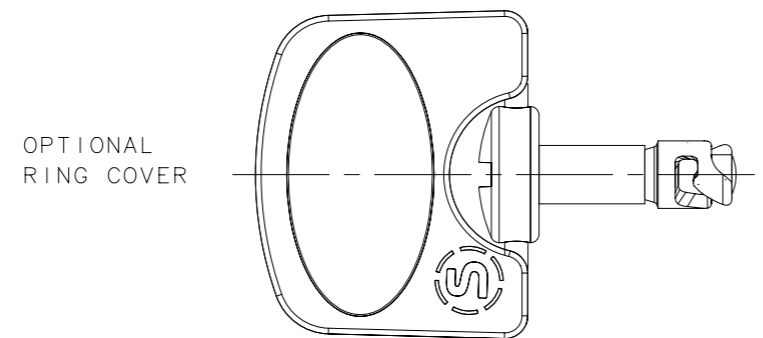
OPTIONAL RING COVER
SEE NOTE 3

F-FINISH OPTIONS SEE NOTE 4

K-STUD 'L' DIMENSIONS

K	'L' ±.15 [.006]
08	8.0 [.32]
09	9.0 [.35]
10	10.0 [.39]
11	11.0 [.43]
12	12.0 [.47]
13	13.0 [.51]
14	14.0 [.55]
15	15.0 [.59]
16	16.0 [.63]
17	17.0 [.67]
18	18.0 [.71]
19	19.0 [.75]
20	20.0 [.79]
21	21.0 [.83]
22	22.0 [.87]
23	23.0 [.90]
24	24.0 [.94]
25	25.0 [.98]
26	26.0 [1.02]
27	27.0 [1.06]
28	28.0 [1.10]
29	29.0 [1.14]
30	30.0 [1.18]
31	31.0 [1.22]
32	32.0 [1.26]
33	33.0 [1.30]
34	34.0 [1.34]
35	35.0 [1.38]
36	36.0 [1.42]
37	37.0 [1.46]
38	38.0 [1.50]
39	39.0 [1.54]
40	40.0 [1.57]
41	41.0 [1.61]
42	42.0 [1.65]
43	43.0 [1.69]
44	44.0 [1.73]
45	45.0 [1.77]
46	46.0 [1.81]
47	47.0 [1.85]
48	48.0 [1.89]
49	49.0 [1.93]
50	50.0 [1.97]

SLOTTED	HEX RECESS	WING	LONG WING	RING HANDLE	TAMPER RESISTANT	NO.3 PHILLIPS RECESS
ORIENTED WITH CAM	NOT ORIENTED WITH CAM	ORIENTED WITH CAM	ORIENTED WITH CAM	ORIENTED WITH CAM	NOT ORIENTED WITH CAM	NOT ORIENTED WITH CAM



NOTES:
 1. MATERIAL: CASE HARDENED STEEL.
 2. PANEL PREPARATION: $\phi 7.2$ [.28]/ 7.0 [.27].
 3. C=RING COVER PREASSEMBLED TO RING HANDLE STUD.
 4. FINISH OPTIONS: SEE J-D8-06

THIRD ANGLE PROJECTION				
MILLIMETERS [IN]	DESCRIPTION			J-D8-316
TOLERANCES UNLESS OTHERWISE NOTED	PANEX QUARTER-TURN SIZE 6 STUD			
ALL DIMENSIONS WITHOUT TOLERANCES ARE FOR REFERENCE ONLY.	SIZE	SYSTEM	DWG NO.	SCALE 1.5:1 SHEET 1 OF 1
PROPRIETARY ITEM	A3	NX	11 DEC 2008	
EXCEPT FOR USES EXPRESSLY GRANTED IN WRITING, INFORMATION DISCLOSED HEREON IS CONFIDENTIAL AND ALL RIGHTS, PATENT AND OTHERWISE, ARE RESERVED BY SOUTHCO, INC.	PER ASME Y14.5M-1994	DRAWN BY	DATE	
		MJW	11 DEC 2008	