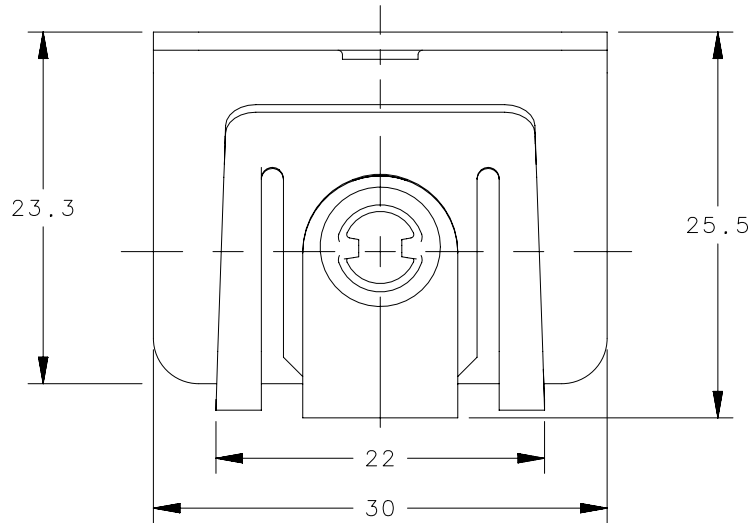
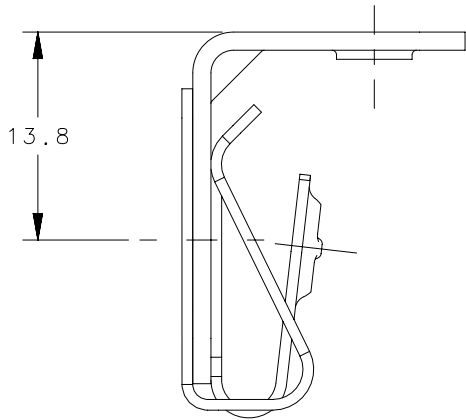
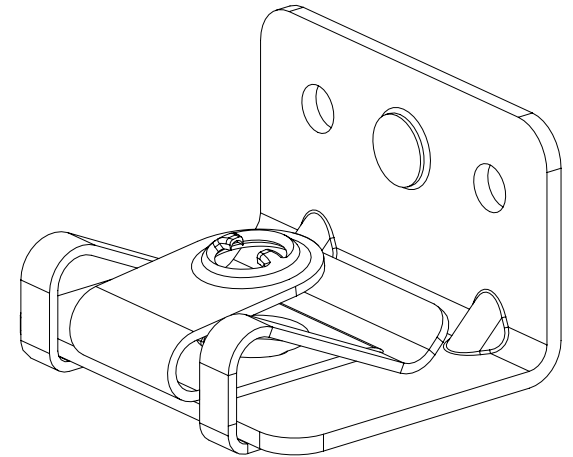
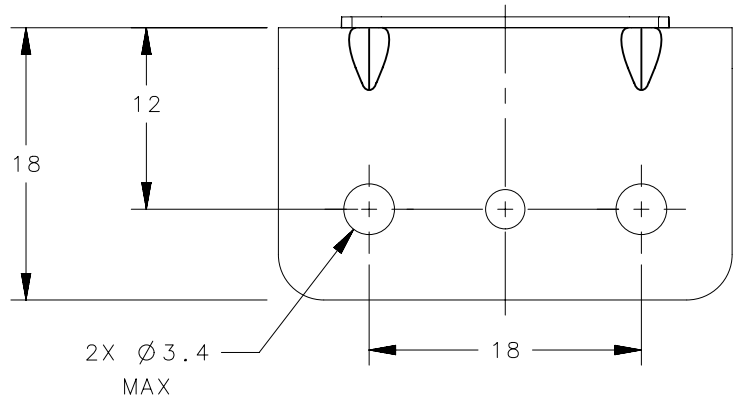


REVISION HISTORY			
REV	DATE	BY	DESCRIPTION
B	29MAR2014	MWC/YGC	PRN: P2014-0731



D8-334-310-121	PANEX SIZE 4-SIDE MOUNT	CARBON STEEL	SILVER GEOMET
PART NUMBER	TYPE OF COMPONENT	MATERIAL	FINISH
	THIRD ANGLE PROJECTION	 CONNECT • CREATE • INNOVATE	
	MILLIMETERS [IN]		
SURFACE AREA	TOLERANCES UNLESS OTHERWISE NOTED	DESCRIPTION	
VOLUME	ALL DIMENSIONS WITHOUT TOLERANCES ARE FOR REFERENCE ONLY.	Quick Access Fastener PANEX SIZE 4 - SIDE MOUNT	
PROPRIETARY ITEM EXCEPT FOR USES EXPRESSLY GRANTED IN WRITING, INFORMATION DISCLOSED HEREON IS CONFIDENTIAL AND ALL RIGHTS, PATENT AND OTHERWISE, ARE RESERVED BY SOUTHCO, INC.	PER ASME Y14.5M-1994	SIZE A4	SYSTEM NX
		DWG NO. J-D8-334-310	
		DRAWN BY MJW	DATE 23MAR2009
		SCALE 2:1	SHEET 1 OF 1