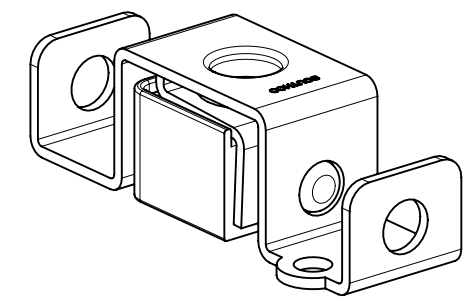
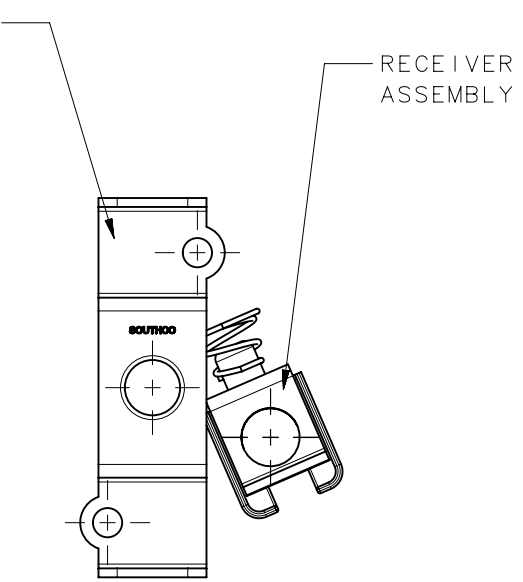
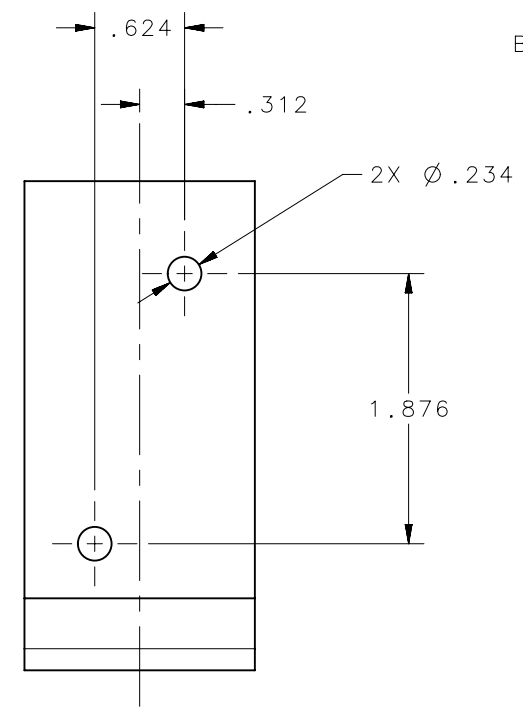
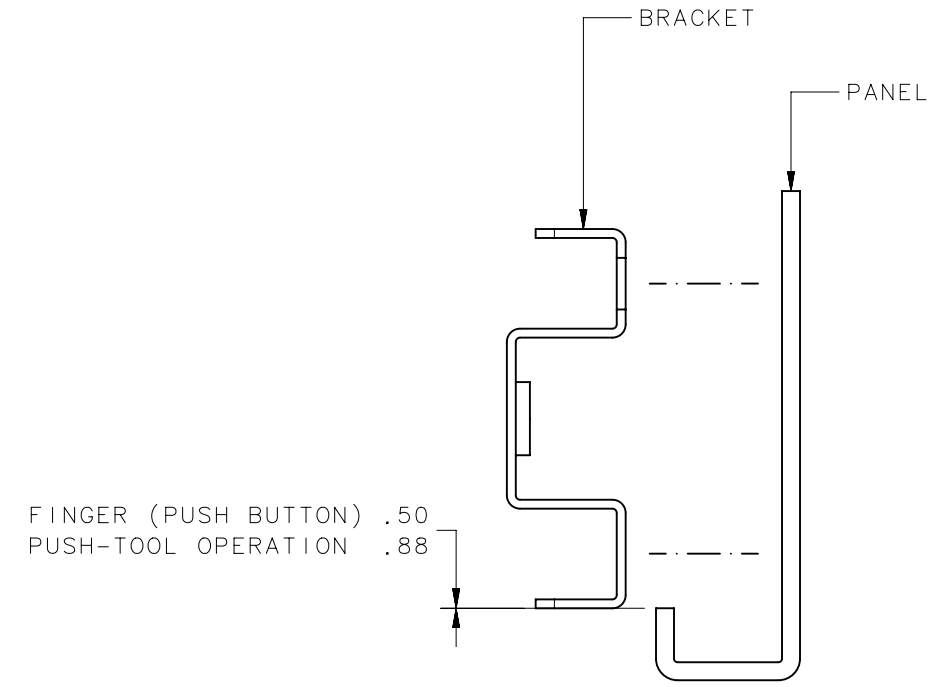


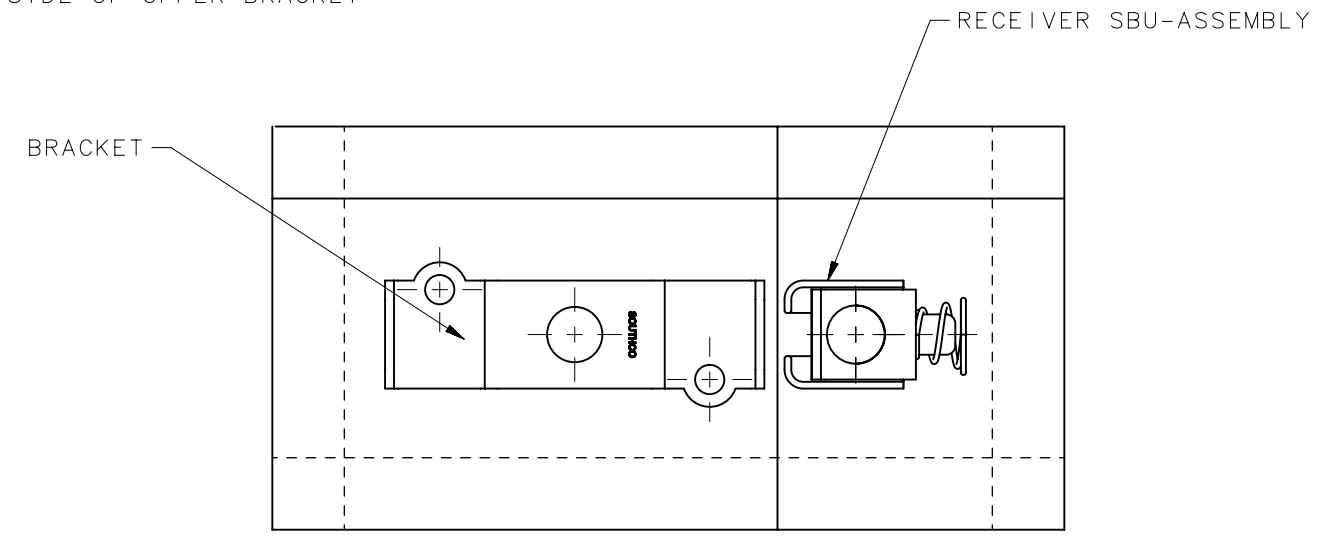
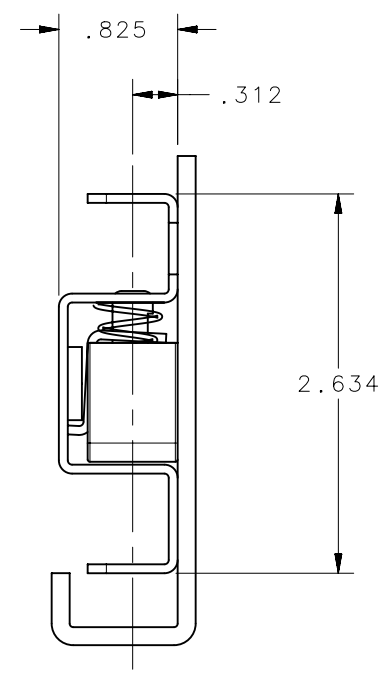
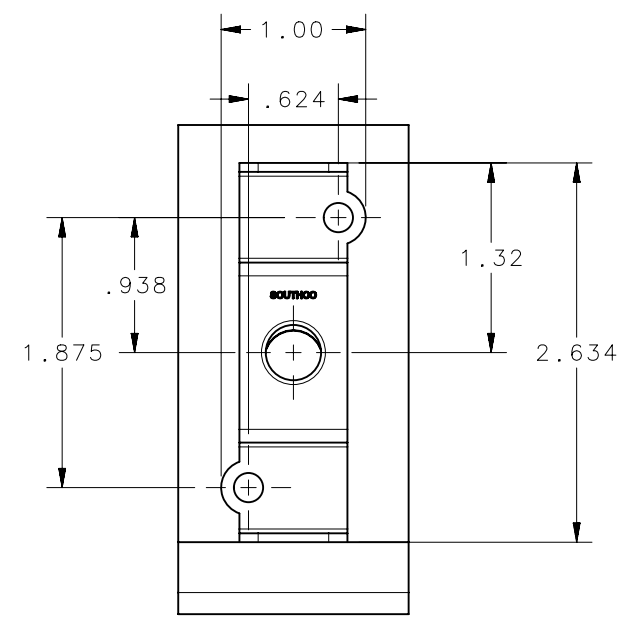
REVISION HISTORY			
REV	DATE	BY	DESCRIPTION
A	13JAN2015	KAY/ACH	PRN: P2014-2521



BRACKET INSTALLATION:
MOUNT BRACKETS ON INSIDE SURFACE OF YOUR PANEL USING STUDS, WELDS M5(No10) SCREWS ϕ 5(.188)

PANEL PREPARATION

SLIDE RECEIVER INTO SIDE OF UPPER BRACKET



PACKAGED

NO.	PART NUMBER	QTY	TYPE OF COMPONENT	MATERIAL	FINISH	GENERAL NOTES
-	E2-92-102	1	ASSEMBLY	-	-	
2	-	1	BRACKET	STEEL	ZINC PLATE	
1	-	1	SUB-ASSEMBLY	-	-	

SURFACE AREA VOLUME PROPRIETARY ITEM <small>EXCEPT FOR USES EXPRESSLY GRANTED IN WRITING, INFORMATION DISCLOSED HEREON IS CONFIDENTIAL AND ALL RIGHTS, PATENT AND OTHERWISE, ARE RESERVED BY SOUTHCO, INC.</small>	THIRD ANGLE PROJECTION				southco [®] CONNECT • CREATE • INNOVATE		
	INCHES [MM]						
	TOLERANCES UNLESS OTHERWISE NOTED	DESCRIPTION			PACKAGED E2 LATCH (REMOTE LATCHING)		
	ALL DIMENSIONS WITHOUT TOLERANCES ARE FOR REFERENCE ONLY.	SIZE	SYSTEM	DWG NO.	J-E2-92-102		
PER ASME Y14.5M-1994	DRAWN BY	DATE	SCALE	SHEET 1 OF 1			
	NTC/AJH	21MAY2002	0.75:1				