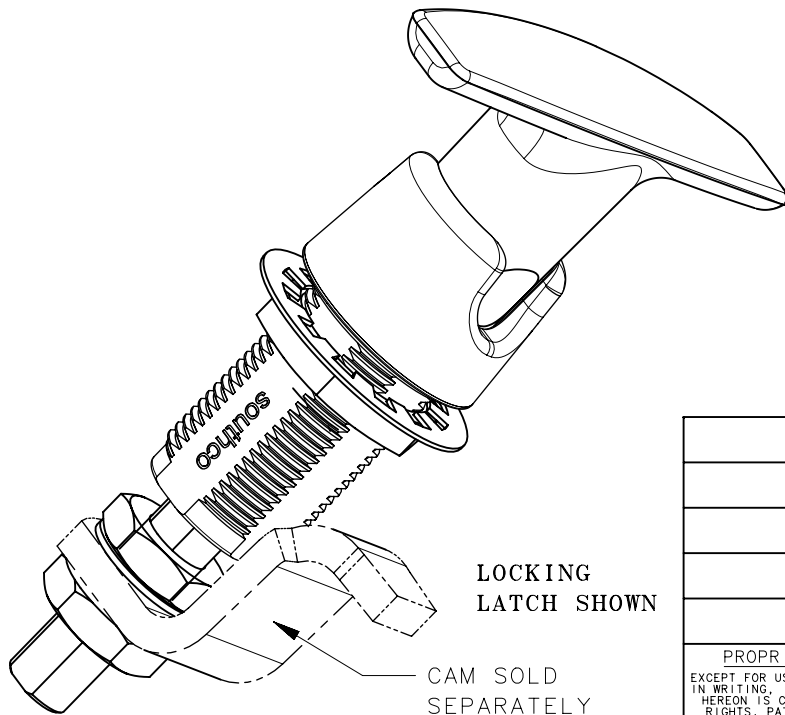


**NOTES:**

1. ALL COMPONENTS ARE RoHS AND REACH COMPLIANT
2. OPERATION: 195° TURN OF THE HANDLE CAUSES CAM TO ROTATE AND PULL UP AS SHOWN.
3. DETERMINE TOTAL GRIP BY ADDING: MAX. OUTER DOOR THICKNESS (INCLUDE ALL ACCESSORIES) PLUS COMPRESSED FRAME GASKET AND FRAME THICKNESS.
4. FIND YOUR TOTAL GRIP IN GRIP TABLE TO DETERMINE THE CORRECT CAM.
5. INSTALLATION:
  - A. PLACE LATCH IN UNLATCHED POSITION THEN INSERT IT INTO HOLE IN DOOR. CHECK FOR PROPER ORIENTATION AND OPERATION OF CAM.
  - B. INSTALL MOUNTING NUT AND LOCKWASHER ONTO HOUSING, 20 Nm RECOMMENDED TORQUE.
  - C. INSTALL JAM NUTS, LOCKWASHERS, AND CAM ONTO SHAFT AS SHOWN. WITH LATCH IN THE CLOSED POSITION, ADJUST JAM NUTS TO POSITION CAM AT THE CORRECT GRIP. TIGHTEN JAM NUTS (20 Nm MAX TORQUE) USING TWO 17mm WRENCHES.
  - D. CAUTION: POSITION PAWL SO THAT LESS THAN 7.9 Nm TORQUE IS REQUIRED TO CLOSE LATCH.
  - E. ASSEMBLY PART NUMBER CONSISTS OF LATCH SUB-ASSEMBLY AND MOUNTING HARDWARE.
6. RECOMMENDED SHACKLE SPECIFICATIONS:
  - (A) SHACKLE DIAMETER: 10mm MAX. AND 8mm MIN.
  - (B) SHACKLE CLEARANCE: 26mm MIN.
  - (C) SHACKLE WIDTH: 24mm MIN.
7. POTENTIAL AESTHETIC INCONSISTENCIES MAY ARISE DUE TO REQUIREMENT FOR MANUAL BUFFING PROCESS.

8. FOR ALTERNATIVE LATCH PACKAGING WITH CAM INCLUDED, SEE J-E3-12-15-A.



REVISION HISTORY			
REV	DATE	BY	DESCRIPTION
D	12JUN2018	MJS/MSR	PRN: P2018-1438

**LATCH PART NUMBER**

**E3-R H-012**

R = ACTUATION STYLE

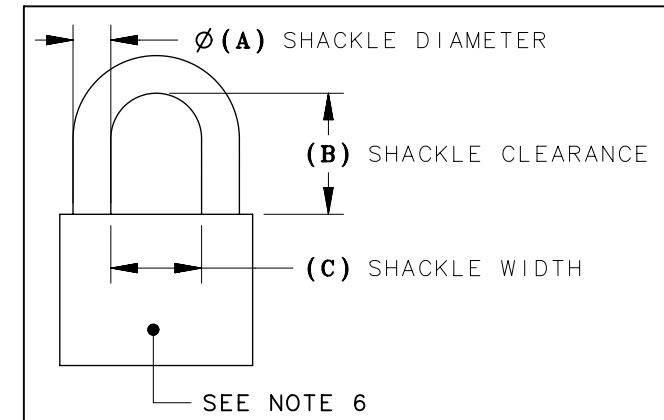
1 = TYPE A (TURN HANDLE CLOCKWISE TO LATCH)

22 = TYPE B (TURN HANDLE COUNTER-CLOCKWISE TO LATCH)

H = LOCKING/NON-LOCKING

1 = NON-LOCKING

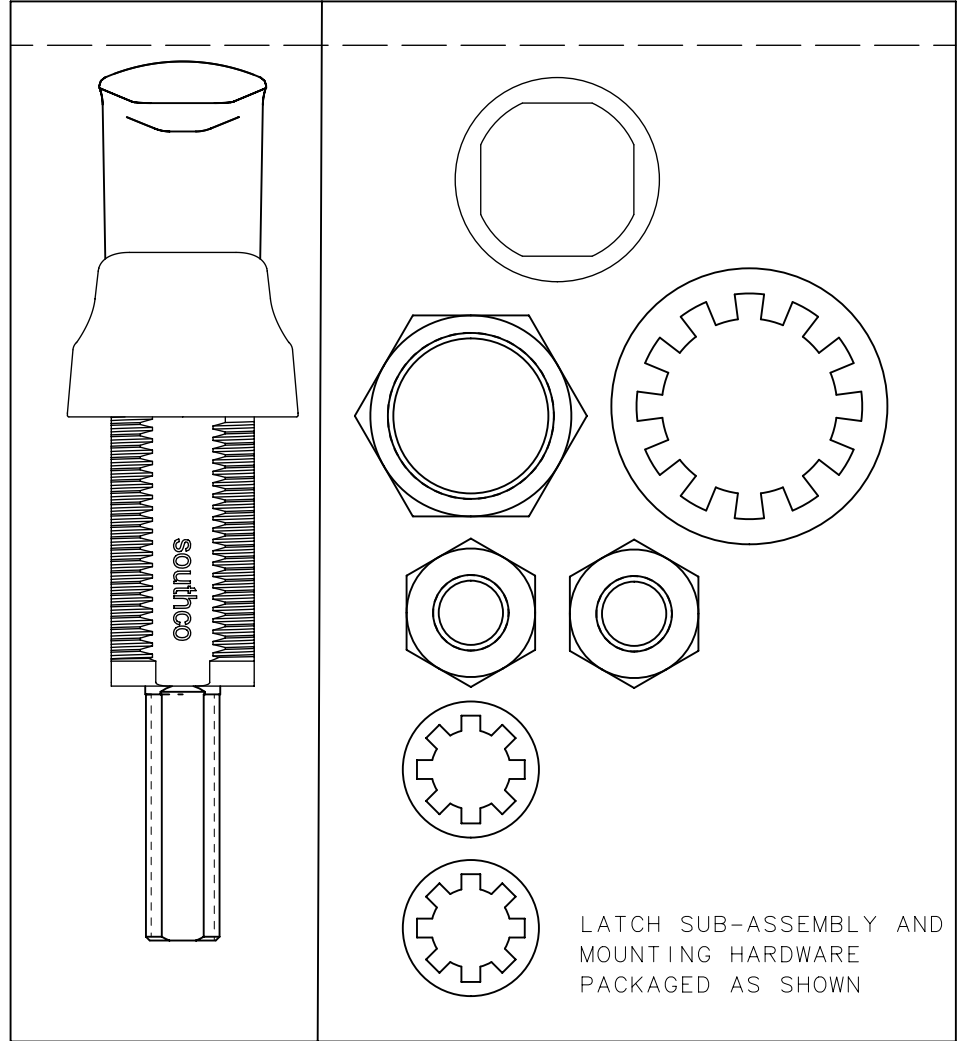
60 = LOCKING



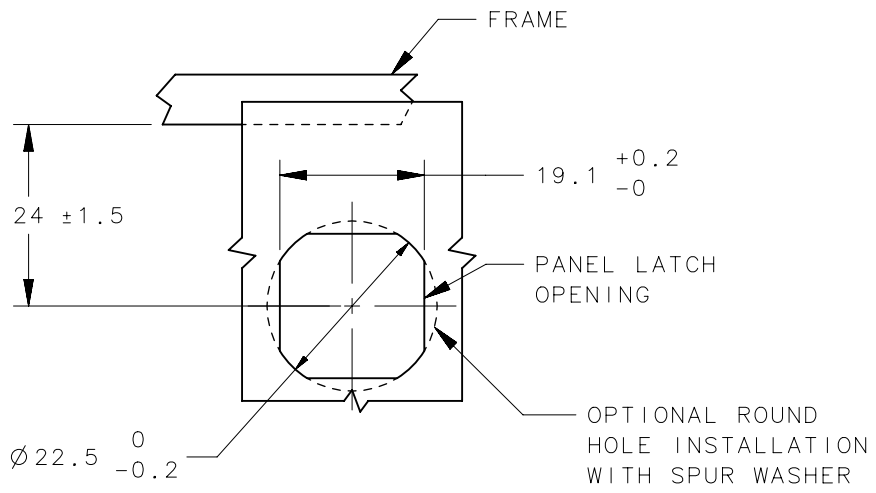
THIRD ANGLE PROJECTION				<p><b>southco</b><sup>®</sup></p> <p>CONNECT • CREATE • INNOVATE</p>			
MILLIMETERS [ IN ]							
TOLERANCES UNLESS OTHERWISE NOTED		DESCRIPTION		E3 COMPRESSION LATCH, ADJUSTABLE GRIP, STAINLESS STEEL			
ALL DIMENSIONS WITHOUT TOLERANCES ARE FOR REFERENCE ONLY.		SIZE	SYSTEM	DWG NO.			
<small>PROPRIETARY ITEM</small> <small>EXCEPT FOR USES EXPRESSLY GRANTED IN WRITING, INFORMATION DISCLOSED HEREON IS CONFIDENTIAL AND ALL RIGHTS, PATENT AND OTHERWISE, ARE RESERVED BY SOUTHCO, INC.</small>		A4	NX	J-E3-12-15			
PER ASME Y14.5M-1994		DRAWN BY	DATE	SCALE	SHEET		
		IR/	06MAR2015	DNS	1 OF 3		

COMPONENT	MATERIAL	FINISH
HOUSING	CF8M	ELECTROPOLISHED
HANDLE	CF8M	ELECTROPOLISHED
RETAINER	STAINLESS	NATURAL
SPRING	STAINLESS	NATURAL
O-RING	BUNA-N	BLACK
SLEEVE	STAINLESS	PASSIVATED
INTERNAL CAM	1070 STEEL	ZINC IMMERSION COATING
SHAFT	STAINLESS	PASSIVATED
PIN	1080 STEEL	ZINC PLATE
M22 MOUNTING NUT	STAINLESS	PASSIVATED
M22 LOCK WASHER	STAINLESS	PASSIVATED
M10 LOCKWASHERS (2)	STAINLESS	PASSIVATED
M10 JAM NUTS (2)	STAINLESS	PASSIVATED
GASKET SEAL	NEOPRENE	BLACK
SEAL	NITRILE RUBBER	BLACK

REVISION HISTORY			
REV	DATE	BY	DESCRIPTION
D	12JUN2018	MJS/MSR	PRN: P2018-1438



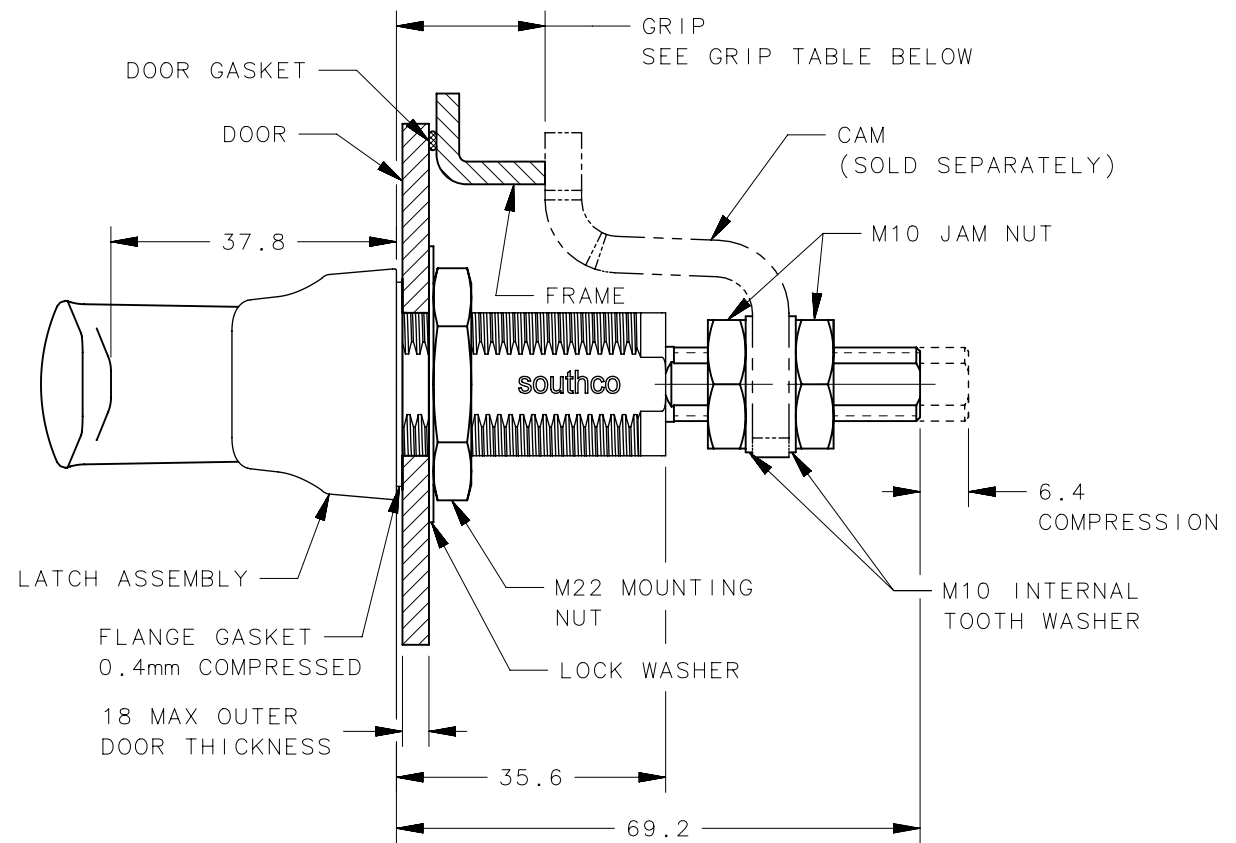
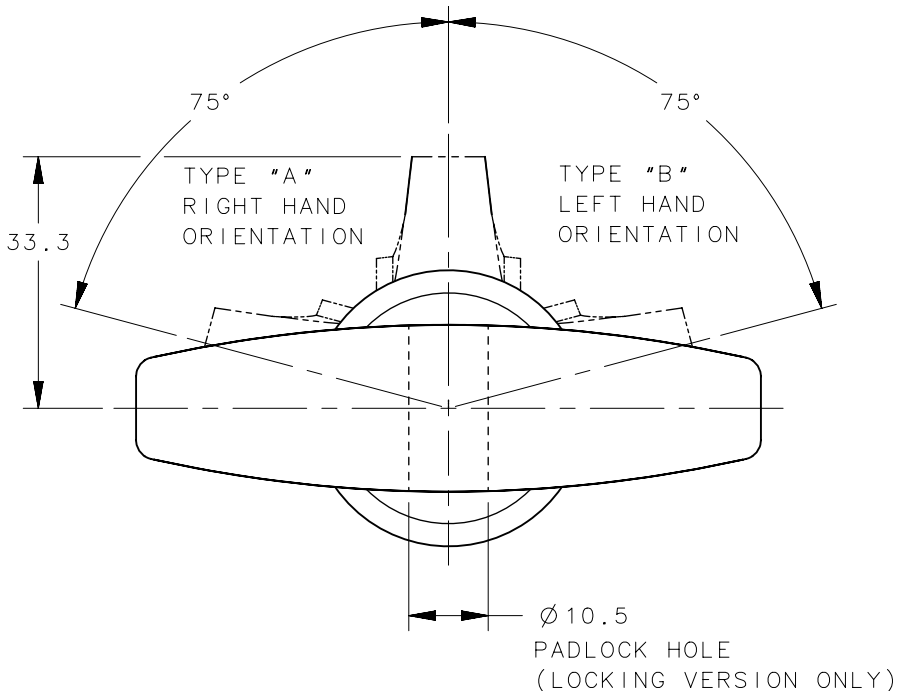
PANEL PREPARATION



LATCH SUB-ASSEMBLY AND MOUNTING HARDWARE PACKAGED AS SHOWN

THIRD ANGLE PROJECTION		 CONNECT • CREATE • INNOVATE	
MILLIMETERS [IN]			
TOLERANCES UNLESS OTHERWISE NOTED		DESCRIPTION E3 COMPRESSION LATCH, ADJUSTABLE GRIP, STAINLESS STEEL	
ALL DIMENSIONS WITHOUT TOLERANCES ARE FOR REFERENCE ONLY.		SIZE A4	SYSTEM NX
PROPRIETARY ITEM <small>EXCEPT FOR USES EXPRESSLY GRANTED IN WRITING, INFORMATION DISCLOSED HEREON IS CONFIDENTIAL AND ALL RIGHTS, PATENT AND OTHERWISE, ARE RESERVED BY SOUTHCO, INC.</small>		DWG NO. J-E3-12-15	
PER ASME Y14.5M-1994		DRAWN BY IR/	DATE 06 MAR 15
		SCALE DNS	SHEET 2 OF 3

REVISION HISTORY			
REV	DATE	BY	DESCRIPTION
D	12JUN2018	MJS/MSR	PRN: P2018-1438



GRIP TABLE (ORDER CAM SEPARATELY)			
TOTAL GRIP RANGE (FORWARD CAM)	16.4 - 32.2	30.4 - 46.1	43.9 - 59.6
TOTAL GRIP RANGE (REVERSE CAM)	71.3 - 81.2	57.6 - 73.3	
CAM PART NUMBER	E3-28-201-24	E3-28-202-24	E3-28-203-24
CAM CUSTOMER DRAWING	J-E3-28-201-12	J-E3-28-202-12	J-E3-28-203-12

PROPRIETARY ITEM <small>EXCEPT FOR USES EXPRESSLY GRANTED IN WRITING, INFORMATION DISCLOSED HEREON IS CONFIDENTIAL AND ALL RIGHTS, PATENT AND OTHERWISE, ARE RESERVED BY SOUTHCO, INC.</small>	THIRD ANGLE PROJECTION	 CONNECT • CREATE • INNOVATE			
	MILLIMETERS [IN]				
	TOLERANCES UNLESS OTHERWISE NOTED	DESCRIPTION	SIZE	SYSTEM	DWG NO.
	ALL DIMENSIONS WITHOUT TOLERANCES ARE FOR REFERENCE ONLY.	E3 COMPRESSION LATCH, ADJUSTABLE GRIP, STAINLESS STEEL	A4	NX	J-E3-12-15
PER ASME Y14.5M-1994	DRAWN BY	DATE	SCALE	SHEET	
	IR/	06 MAR 15	DNS	3 OF 3	