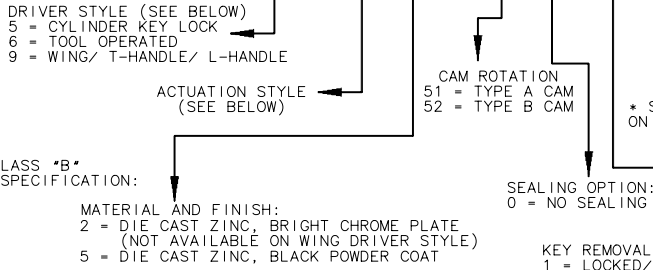


REV	DATE	DRAWN/CHKD	DESCRIPTION
A	23MAY2006	RLR/MJS	PRN: P2006-0698
B	04APR2008	ACH/MJS	PRN: P2008-0233
C	15OCT2008	ACH/MJS	PRN: P2008-1138
D	22JUL2009	TVA/MJS	PRN: P2009-0886
E	16MAR2012	TVA/MJS	PRN: P2012-0364

PART NUMBER: E5- **T** - **WW** **X** - **YY** 0- **R** **K**



- NOTES:
- A. LATCH SUPPLIED FULLY ASSEMBLED AS SHOWN
  - B. COSMETIC SPECIFICATION: ALL SURFACES ABOVE SECTION A-A CONFORM TO A CLASS "B" DESIGNATION AS DESCRIBED IN SOUTHCO COSMETIC SPECIFICATION: S-121-01 FOR X=2, S-121-03 FOR X=5
  - C. RK OMITTED FROM PART NUMBER WHEN T=6 AND WHEN WW =30,33,60,63,70 OR 73
  - D. PACKAGED IN INDIVIDUAL BAGS

**MILLIMETERS**

ALL DIMENSIONS WITHOUT TOLERANCES ARE FOR REFERENCE ONLY.

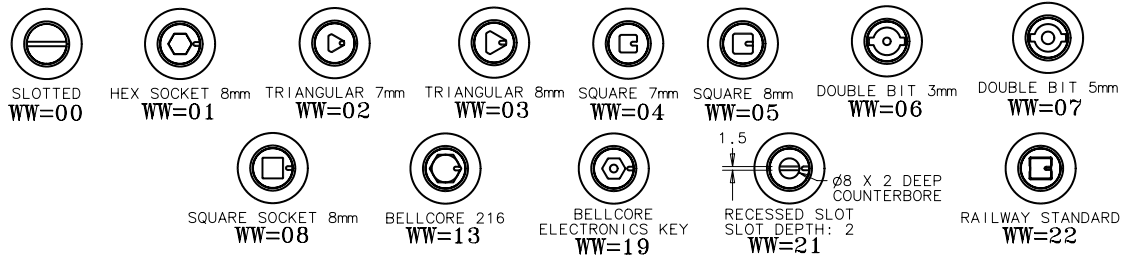
THIRD ANGLE PROJECTION

A3 PAPER SIZE

SHEET 1 OF 3

**WW ACTUATION STYLE**

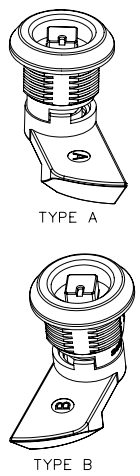
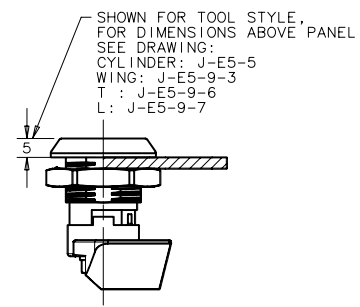
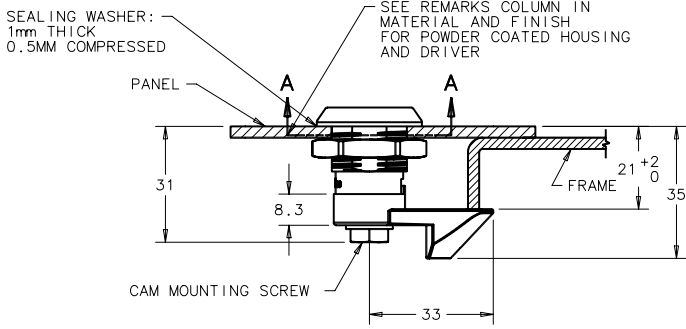
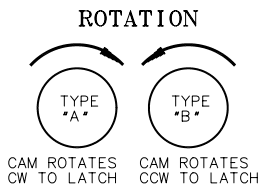
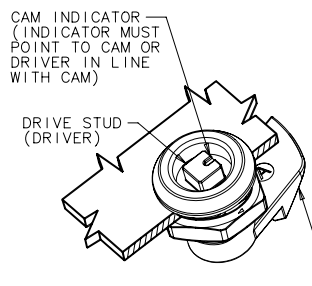
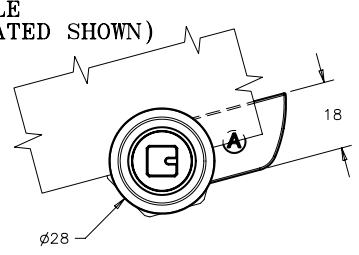
WHEN **T** = 6  
SCALE 0.5 : 1



**WW ACTUATION STYLE WHEN **T** = 5 OR 9 SCALE 0.5:1**

LOCK STYLE	<b>T</b> = 5	<b>T</b> = 9		
NON-LOCKING	----	30	60	70
KEYED CH751 (LOCK PLUG MATCHES HANDLE FINISH)	----	31	61	71
KEYED CH751 (STAINLESS STEEL SCALP SHUTTERED)	40	----	----	----
KEYED R001 REVERSIBLE (STAINLESS STEEL SHUTTERED)	----	32	62	72
WITHOUT LOCK PLUG (SEE J-E5-9-7, SHT 4 FOR INSTALL)	----	33	63	73

**YY PUSH TO CLOSE CAM STYLE (TYPE A TOOL OPERATED SHOWN)**



REV	DATE	DRAWN/CHKD	DESCRIPTION
A	23MAY2006	RLR/MJS	PRN: P2006-0698
B	04APR2008	ACH/MJS	PRN: P2008-0233
C	15OCT2008	ACH/MJS	PRN: P2008-1138
D	22JUL2009	TVA/MJS	PRN: P2009-0886
E	16MAR2012	TVA/MJS	PRN: P2012-0364

**MILLIMETERS**  
ALL DIMENSIONS WITHOUT TOLERANCES ARE FOR REFERENCE ONLY.

THIRD ANGLE PROJECTION

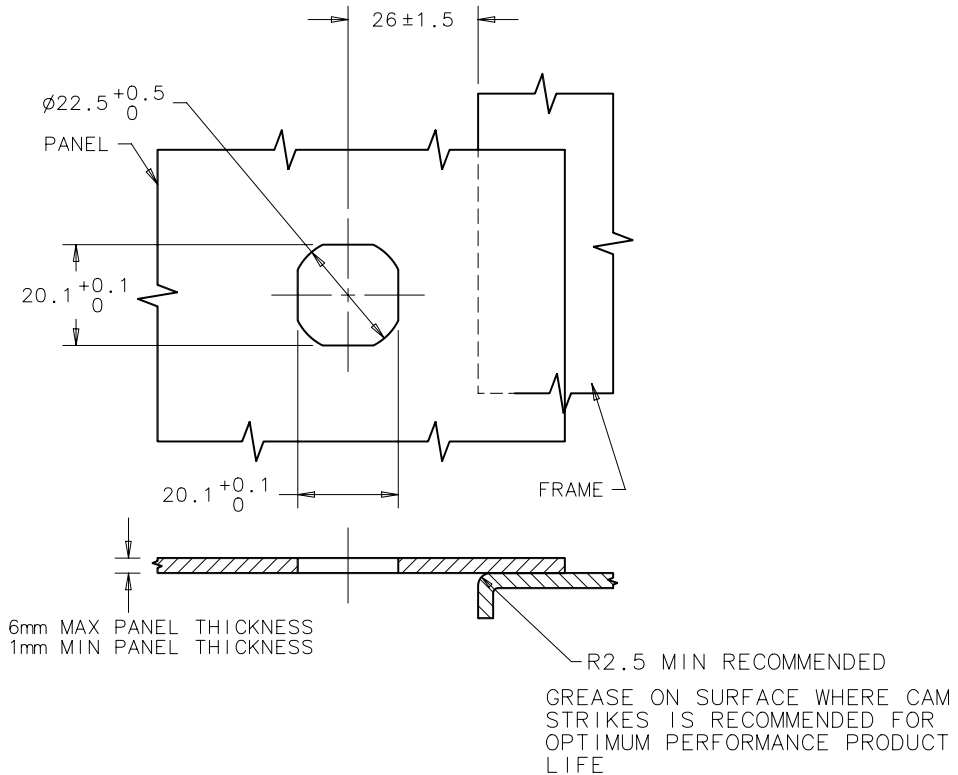
A3 PAPER SIZE

SHEET 2 OF 3

**MATERIAL AND FINISH:**

COMPONENT	MATERIAL DESCRIPTION	FINISH DESCRIPTION	REMARKS
DRIVER	DIE CAST ZINC	CHROME PLATED	X = 2 (NOT AVAILABLE ON WING)
		BLACK POWDER COAT	X = 5 (SEE NOTE B)
HOUSING	DIE CAST ZINC	CHROME PLATED	X = 2 (NOT AVAILABLE ON WING)
		BLACK POWDER COAT	X = 5 (SEE NOTE B)
SEALING WASHER	POLYURETHANE	BLACK	
HEX FLANGE SCREW	LOW CARBON STEEL	ZINC PLATE, BRIGHT CHROMATE	NYLON PATCH (INTERNAL)
MOUNTING NUT	DIE CAST ZINC	ZINC PLATE, BRIGHT CHROMATE	
LOCK CORE	DIE CAST ZINC	BLACK POWDER COAT, CHROME PLATE OR CHROMATE WITH STAINLESS STEEL CAP	FOR SHUTTERED CORES, INCLUDES NICKEL PLATED BRASS DUST SHUTTER
SHIPPING PLUG	POLYPROPYLENE	BLACK	KEY LOCKING, NO LOCK CORE (WW-33, 63, 73) ASSEMBLIES ONLY
LOCK EXTENDER	DIE CAST ZINC	TRIVALENT CHROMATE	KEY LOCKING ASSEMBLIES ONLY T=9
LOCK CAM	STEEL	ZINC PLATE	KEY LOCKING ASSEMBLIES ONLY T=9
CAM	DIE CAST ZINC	CHROMATE	
CAM SPRING	STEEL	ZINC PLATE, BRIGHT CHROMATE	
WASHER	ACETAL	-----	

**PANEL PREPARATION (ALL STYLES)**



REV	DATE	DRAWN/CHKD	DESCRIPTION
A	23MAY2006	RLR/MJS	PRN: P2006-0698
B	04APR2008	ACH/MJS	PRN: P2008-0233
C	15OCT2008	ACH/MJS	PRN: P2008-1138
D	22JUL2009	TVA/MJS	PRN: P2009-0886
E	16MAR2012	TVA/MJS	PRN: P2012-0364

**MILLIMETERS**  
ALL DIMENSIONS WITHOUT TOLERANCES ARE FOR REFERENCE ONLY.

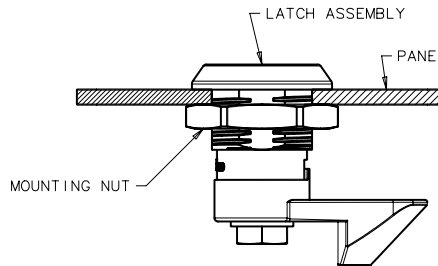
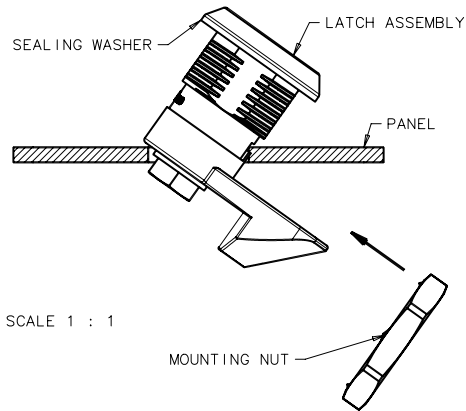
THIRD ANGLE PROJECTION

A3 PAPER SIZE

**SHEET 3 OF 3**

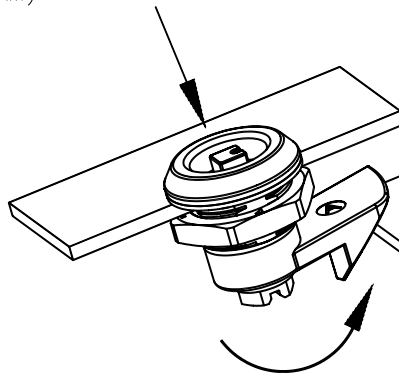
**INSTALLATION**

1. PLACE SEALING WASHER ONTO LATCH HOUSING.
2. TILT LATCH THROUGH MOUNTING HOLE.
3. INSTALL MOUNTING NUT AND TIGHTEN TO:  
10 N·m MAX

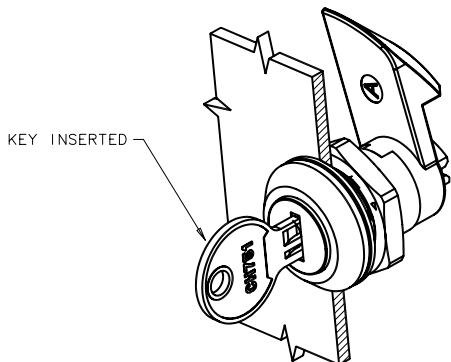


**OPERATION**

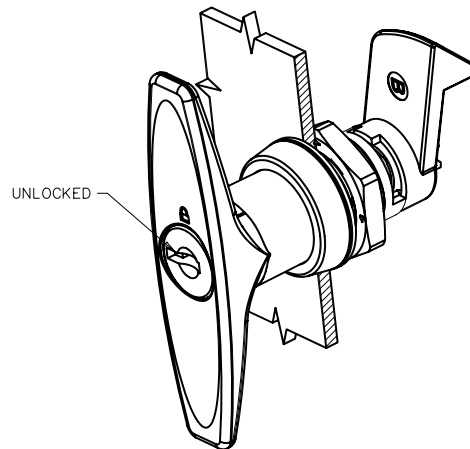
1. PUSH DOOR TOWARDS FRAME (DO NOT SLAM)



RADIUS AND GREASE RECOMMENDED ON CONTACT SURFACE FOR EASE OF OPERATION AND OPTIMUM CYCLE LIFE



NOTE: FOR CYLINDER LOCK STYLE (T=5), KEY MUST BE INSERTED FOR CAM TO FUNCTION (AS SHOWN ABOVE)



NOTE: FOR LOCKING VERSIONS OF WING, T AND L HANDLE STYLES (T=9), LOCK CORE NEEDS TO BE UNLOCKED POSITION (AWAY FROM PADLOCK SYMBOL) FOR CAM TO FUNCTION (AS SHOWN ABOVE)

ALSO WING, T OR L DRIVER ASSEMBLED IN LINE WITH DRIVER (AS SHOWN ABOVE)