

REV	DATE	DRAWN/CHKD	DESCRIPTION
1	19OCT2009	TVA	RELEASED FOR PRE-PRODUCTION
2	23OCT2009	TVA	ADDED PICTORIAL VIEW FOR T-201/92 AND CLARIFIED IN THEM IN PART NUMBER
3	03NOV2009	TVA	CORRECTIONS, CLARIFIED T-91/92
A	09NOV2009	TVA/MJS	PRN: P2009-1291
B	09MAR2011	TVA/MJS	PRN: P2011-0336
C	16MAR2012	TVA/MJS	PRN: P2012-0364

**PART NUMBER: E5- T - WW X - YY 0- R K**

DRIVER STYLE (SEE BELOW)  
 5 = CYLINDER KEY LOCK  
 6 = TOOL OPERATED  
 9 = WING/ T-HANDLE/ L-HANDLE  
 91 (USE YY= TR) = WING IN A CUP, TYPE A  
 92 (USE YY= TL) = WING IN A CUP, TYPE B

ACTUATION STYLE (SEE BELOW)

ROTATION  
 TR = TYPE A  
 TL = TYPE B

SEALING OPTION:  
 0 = NO SEALING

KEY REMOVAL:  
 1 = LOCKED/UNLOCKED POSITION

KEY OPTIONS:  
 0 = NO KEYS  
 ORDER SEPARATELY  
 3 = 1 KEY PER LOCK (PLASTIC OVERMOLD)

\* SEE NOTE C ON RK

MATERIAL AND FINISH:  
 2 = DIE CAST ZINC, BRIGHT CHROME PLATE (NOT AVAILABLE ON WING DRIVER STYLES)  
 5 = DIE CAST ZINC, BLACK POWDER COAT

- NOTES:
- A. LATCH SUPPLIED FULLY ASSEMBLED AS SHOWN, EXCEPT FOR TWO POINT ACTUATOR AND HEX HEAD FLANGE NUT
  - B. COSMETIC SPECIFICATION: ALL SURFACES ABOVE SECTION A-A CONFORM TO A CLASS \*B\* DESIGNATION AS DESCRIBED IN SOUTHCO COSMETIC SPECIFICATION: S-121-01 FOR X=2, S-121-03 FOR X=5
  - C. RK OMITTED FROM PART NUMBER WHEN T=6 AND WHEN WW =30,33,60,63,70 OR 73
  - D. PACKAGED IN INDIVIDUAL BAGS

**WW ACTUATION STYLE**

WHEN **T** = 6  
 SCALE 0.5 : 1

**WW ACTUATION STYLE WHEN T = 5, 9 OR 91/92 SCALE 0.5:1**

LOCK STYLE	T = 5		T = 9		T = 91/ 92
	WING	T-HANDLE	L-HANDLE	WING IN A CUP	
NON-LOCKING	----	30	60	70	30
KEYED CH751 (LOCK PLUG MATCHES HANDLE FINISH)	----	31	61	71	31
KEYED CH751 (STAINLESS STEEL SCALP SHUTTERED)	40	----	----	----	----
KEYED R001 REVERSIBLE (STAINLESS STEEL SHUTTERED)	----	32	62	72	32
WITHOUT LOCK PLUG (SEE J-E5-9-7, SHT 4 FOR INSTALL)	----	33	63	73	33

**YY TWO POINT (TOOL OPERATED SHOWN)**

SEALING WASHER: 1 MM THICK 0.5 MM COMPRESSED

PANEL

MOUNTING NUT

CAM ADAPTER (SPRING LOADED)

TWO POINT ACTUATOR (SEE J-A5-91-201 FOR FULL DIMENSIONS)

HEX HEAD FLANGE NUT

THREADED STUD

ASSEMBLED

(SEE SHEET 3 FOR INSTALLATION INSTRUCTIONS)

SEE REMARKS COLUMN IN MATERIAL AND FINISH FOR POWDER COATED HOUSING AND DRIVER

E5 LATCH, TOOL STYLE SHOWN, FOR DIMENSIONS ABOVE PANEL SEE DRAWING: CYLINDER: J-E5-5 TOOL: J-E5-6 WING: J-E5-9-3 T: J-E5-9-6 L: J-E5-9-7 CUP: J-E5-91

ROTATION

TYPE "A"  
 CAM ROTATES CW TO LATCH  
**YY = TR**

TYPE "B"  
 CAM ROTATES CCW TO LATCH  
**YY = TL**

TWO POINT ACTUATOR A5-91-201-11 (ORDER SEPARATELY). CAN BE ASSEMBLED IN LINE WITH DRIVER (AS SHOWN) OR PERPENDICULAR

ATTACH CABLES HERE

TYPE A

TYPE B

REV	DATE	DRAWN/CHKD	DESCRIPTION
1	19OCT2009	TVA	RELEASED FOR PRE-PRODUCTION
2	23OCT2009	TVA	ADDED PICTORIAL VIEW FOR T=91/92 AND CLARIFIED IN ITEM IN PART NUMBER
3	03NOV2009	TVA	CORRECTIONS, CLARIFIED T=91/92
A	09NOV2009	TVA/MJS	PRN: P2009-1291
B	09MAR2011	TVA/MJS	PRN: P2011-0336
C	16MAR2012	TVA/MJS	PRN: P2012-0364

**MILLIMETERS**  
ALL DIMENSIONS WITHOUT TOLERANCES ARE FOR REFERENCE ONLY.

THIRD ANGLE PROJECTION

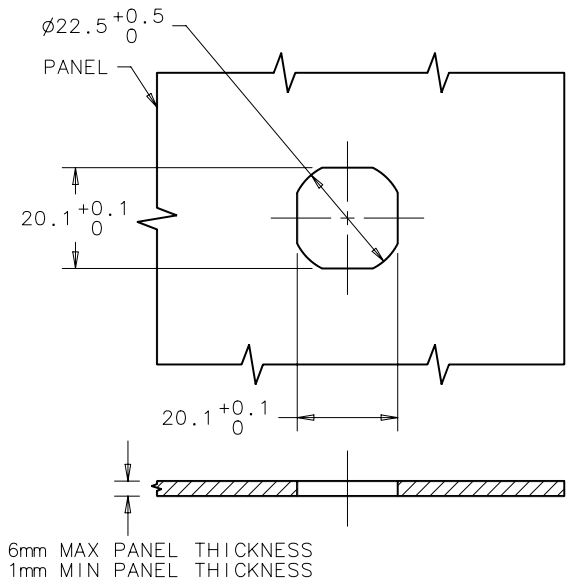
A3 PAPER SIZE  
SHEET 2 OF 3

**MATERIAL AND FINISH:**

COMPONENT	MATERIAL DESCRIPTION	FINISH DESCRIPTION	REMARKS
DRIVER	DIE CAST ZINC	CHROME PLATED	X = 2 (NOT AVAILABLE ON WING)
		BLACK POWDER COAT	X = 5 (SEE NOTE B)
HOUSING OR CUP	DIE CAST ZINC	CHROME PLATED	X = 2 (NOT AVAILABLE ON WING)
		BLACK POWDER COAT	X = 5 (SEE NOTE B)
SEALING WASHER	POLYURETHANE	BLACK	
MOUNTING NUT	DIE CAST ZINC	ZINC PLATE, BRIGHT CHROMATE	
LOCK CORE	DIE CAST ZINC	BLACK POWDER COAT, CHROME PLATE OR CHROMATE WITH STAINLESS STEEL CAP	FOR SHUTTERED CORES, INCLUDES NICKEL PLATED BRASS DUST SHUTTER
SHIPPING PLUG	POLYPROPYLENE	BLACK	KEY LOCKING, NO LOCK CORE (WW=33, 63, 73) ASSEMBLIES ONLY
LOCK EXTENDER	DIE CAST ZINC	TRIVALENT CHROMATE	KEY LOCKING ASSEMBLIES ONLY T=9
LOCK CAM	STEEL	ZINC PLATE	KEY LOCKING ASSEMBLIES ONLY T=9
CAM ADAPTER	DIE CAST ZINC	CHROMATE	
ADAPTER SPRING	STEEL	ZINC PLATE, BRIGHT CHROMATE	
WASHER	ACETAL	-----	
LOCK NUTS	STEEL	ZINC PLATE, BRIGHT CHROMATE	WING IN A CUP ASSEMBLIES ONLY T=91/92
THREADED STUD	STEEL	ZINC PLATE, BRIGHT CHROMATE	NYLON PATCH (INTERNAL)
HEX HEAD FLANGE NUT (M6)	STEEL	ZINC PLATE, BRIGHT CHROMATE	

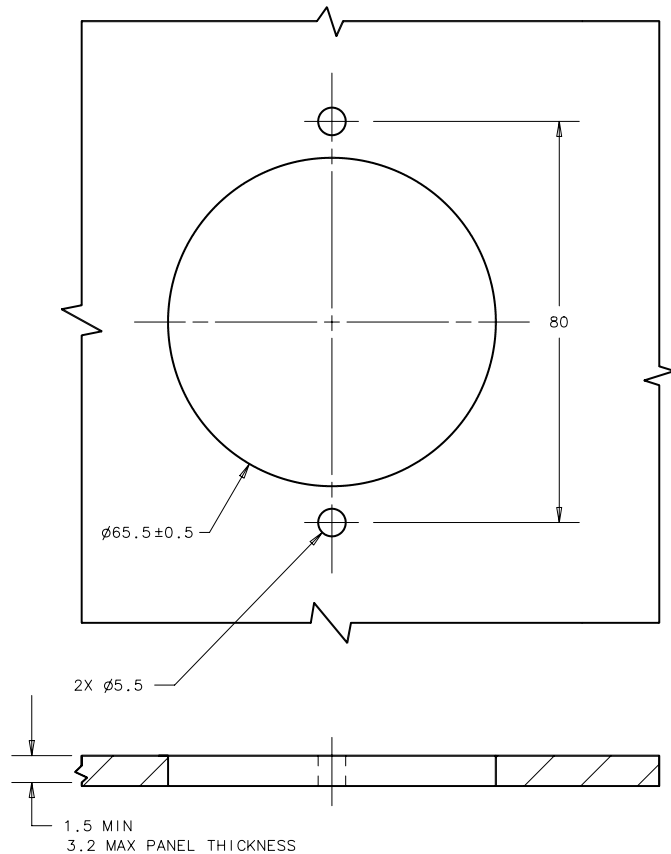
**PANEL PREPARATION**

(ALL STYLES, EXCEPT T=91/92)



**PANEL PREPARATION**

(T=91/92)



REV	DATE	DRAWN/CHKD	DESCRIPTION
1	19OCT2009	TVA	RELEASED FOR PRE-PRODUCTION
2	23OCT2009	TVA	ADDED PICTORIAL VIEW FOR T-201/92 AND CLARIFIED IN THEM IN PART NUMBER
3	03NOV2009	TVA	CORRECTIONS, CLARIFIED T-91/92
A	09NOV2009	TVA/MJS	PRN: P2009-1291
B	09MAR2011	TVA/MJS	PRN: P2011-0336
C	16MAR2012	TVA/MJS	PRN: P2012-0364

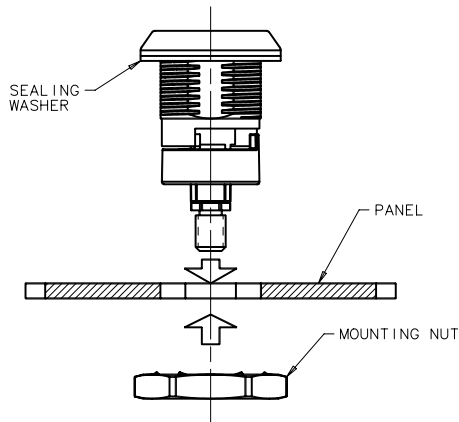
**MILLIMETERS**  
ALL DIMENSIONS WITHOUT TOLERANCES ARE FOR REFERENCE ONLY.

THIRD ANGLE PROJECTION

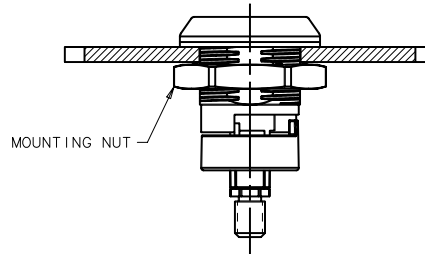
A3 PAPER SIZE

SHEET 3 OF 3

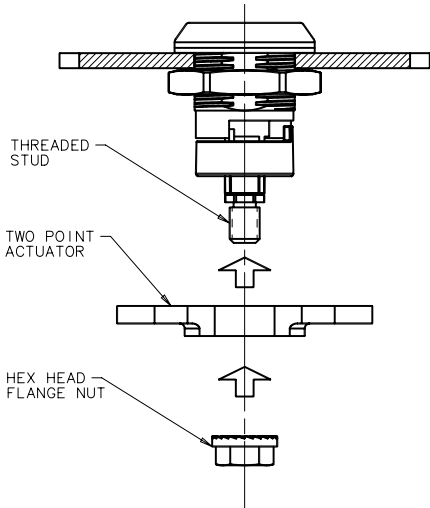
**INSTALLATION**  
SCALE 1:1



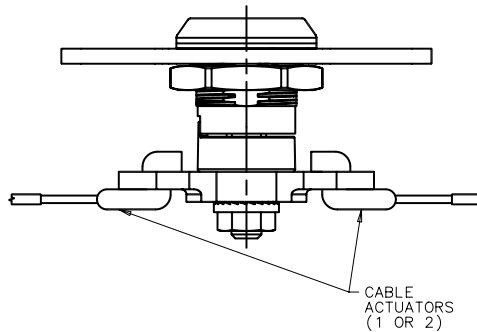
1. PLACE SEALING WASHER ONTO LATCH HOUSING.
2. INSTALL LATCH THROUGH MOUNTING HOLE.



3. INSTALL MOUNTING NUT AND TIGHTEN TO: 10 N·m MAX
4. FOR 91/ 92, PLACE LATCH ASSEMBLY THROUGH PANEL. TIGHTEN LOCK NUTS TO 3 N·m (NOT SHOWN, SEE J-E5-91)

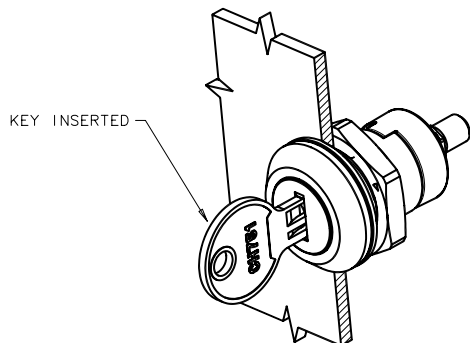


5. ATTACH TWO POINT ACTUATOR (A5-91-201-11, ORDER SEPARATELY) OVER THREADED STUD AND TIGHTEN HEX HEAD FLANGE NUT TO 5 N·m

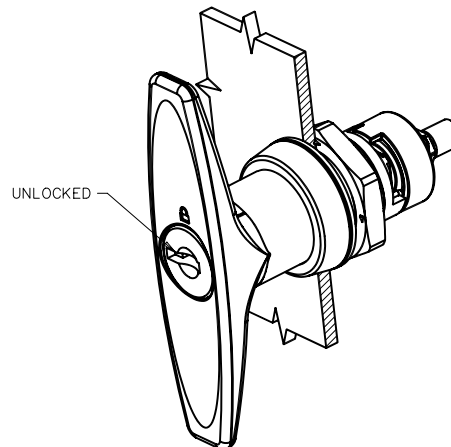


6. ATTACH CABLE ACTUATORS TO HOLES IN TWO POINT ACTUATOR (EXAMPLE SHOWN)

OPERATION ACTION: INTERNAL SPRING CAUSES RETURN OF DRIVER AND ACTUATOR TO ORIGINAL LATCHED POSITION WHEN DRIVER IS RELEASED AFTER OPENING. IDEAL FOR USE WITH CABLES AND ROTARY LATCHES AND/ OR AS A MECHANICAL OVER RIDE.



NOTE: FOR CYLINDER LOCK STYLE (T=5), KEY MUST BE INSERTED FOR ADAPTER TO FUNCTION (AS SHOWN ABOVE)



NOTE: FOR LOCKING VERSIONS OF WING, T AND L HANDLE STYLES (T=9) AND WING IN A CUP (T=91/92), LOCK CORE NEEDS TO BE UNLOCKED POSITION (AWAY FROM PADLOCK SYMBOL) FOR ADAPTER TO FUNCTION (AS SHOWN ABOVE)

ALSO WING, T OR L DRIVER ASSEMBLED IN LINE WITH DRIVER (AS SHOWN ABOVE)