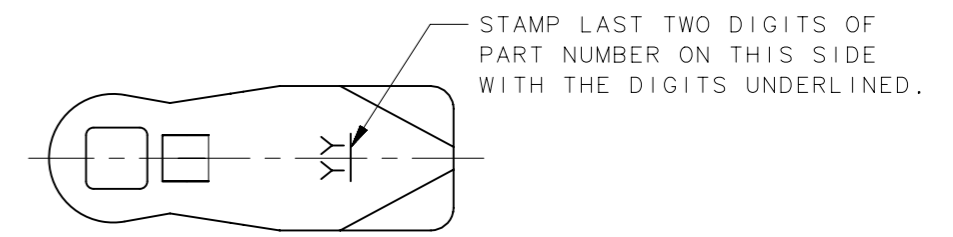
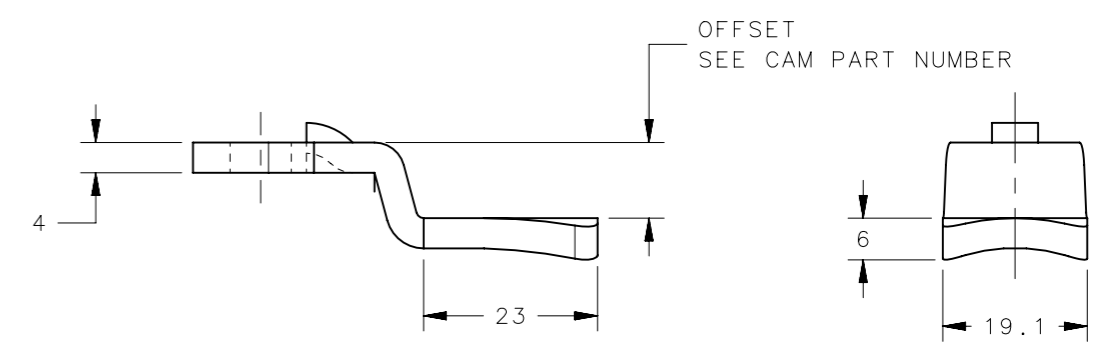
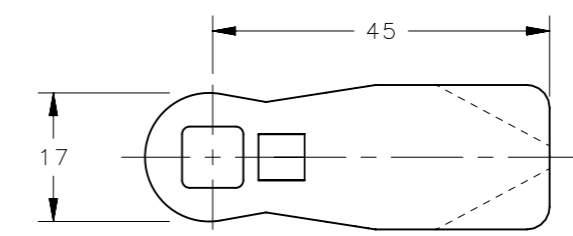
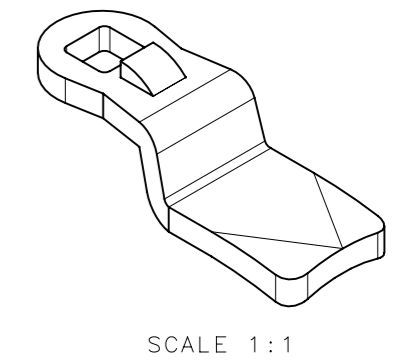
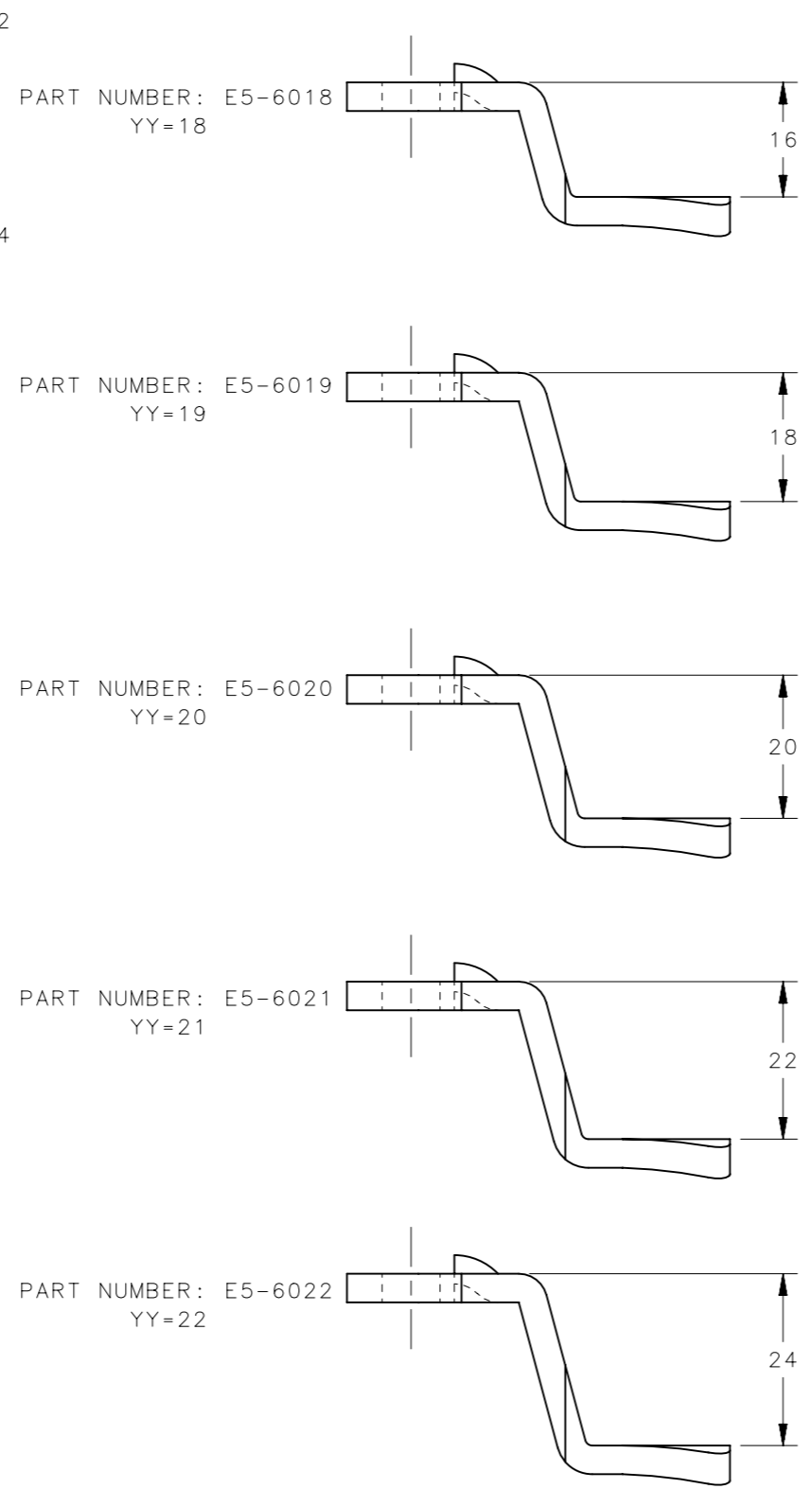
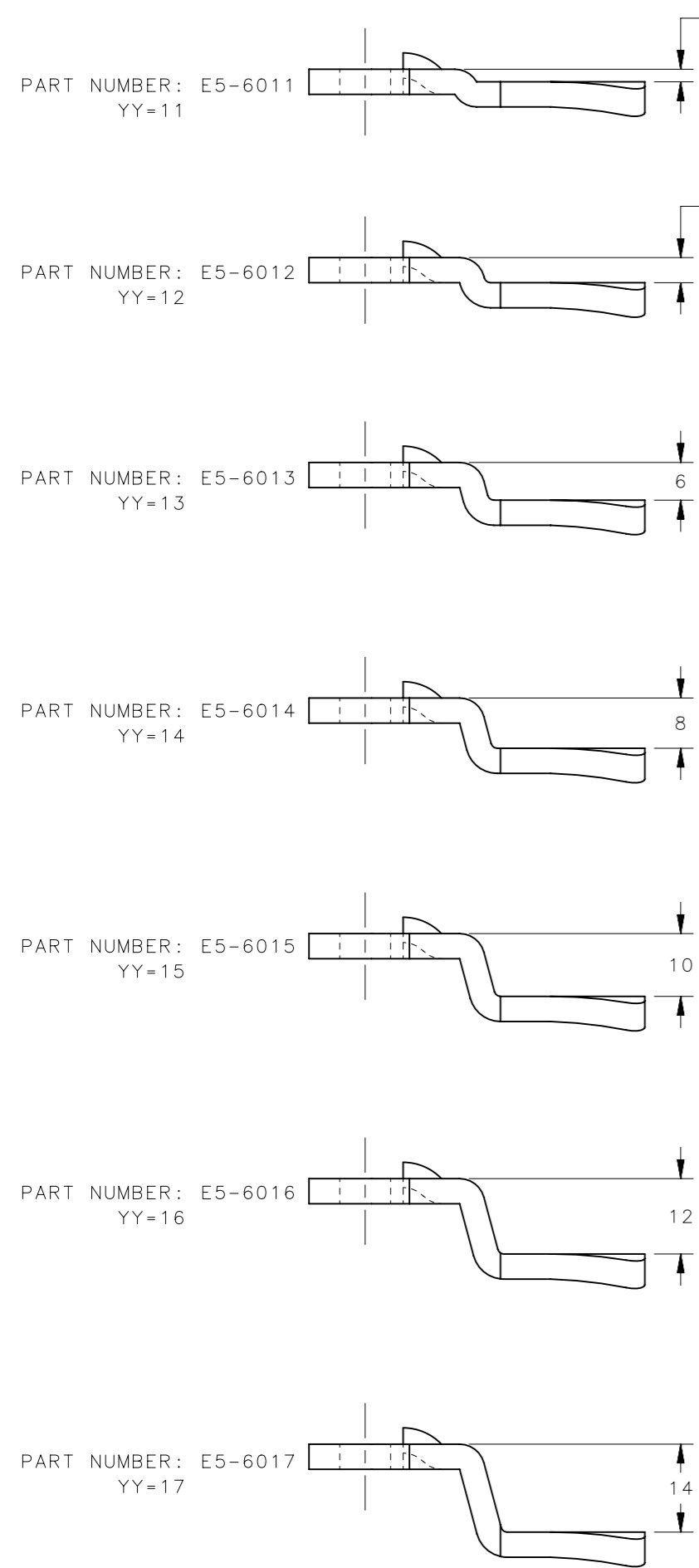


REVISION HISTORY			
REV	DATE	BY	DESCRIPTION
A	20AUG2012	DMS/YGC	PRN: P2009-0459



E5-60YY	E5 CAMS	STEEL	ZINC PLATE CHROMATE DIP
PART NUMBER	TYPE OF COMPONENT	MATERIAL	FINISH
THIRD ANGLE PROJECTION		 CONNECT • CREATE • INNOVATE	
MILLIMETERS [IN]			
TOLERANCES UNLESS OTHERWISE NOTED		DESCRIPTION E5 CAMS - BENT DOWN POSITION (TOOL SECURED)	
ALL DIMENSIONS WITHOUT TOLERANCES ARE FOR REFERENCE ONLY.		SIZE A3	SYSTEM NX
PROPRIETARY ITEM <small>EXCEPT FOR USES EXPRESSLY GRANTED IN WRITING, INFORMATION DISCLOSED HEREON IS CONFIDENTIAL AND ALL RIGHTS, PATENT AND OTHERWISE, ARE RESERVED BY SOUTHCO, INC.</small>		DWG NO. J-E5-60-A	DATE 28JAN2008
PER ASME Y14.5M-1994		DRAWN BY CW/MJS	SCALE 1:1
		SHEET 1 OF 1	