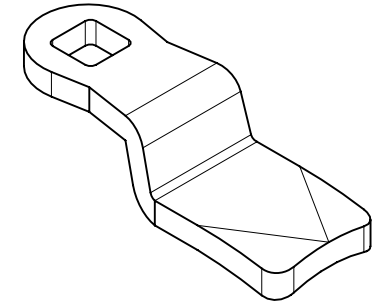
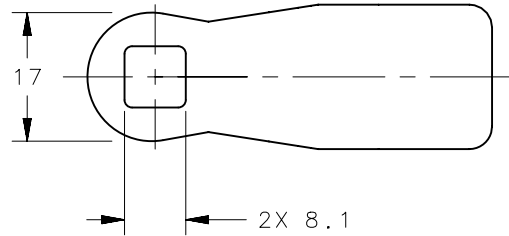
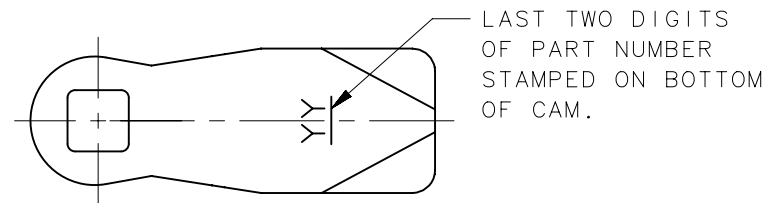
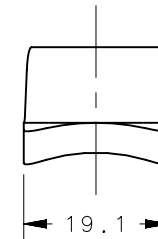
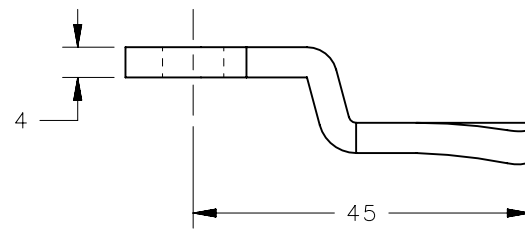


	H3-40		H3-50 OR H3-60 WITH GEARBOX		H3-50 OR H3-60 WITH ACTUATOR	
	YY	GRIP	YY	GRIP	YY	GRIP
BENT UP POSITIONS	07	12.5	07	NOT USABLE	07	NOT USABLE
	08	14.5	08	NOT USABLE	08	NOT USABLE
	09	16.5	09	24.9	09	14.3
STRAIGHT	10	18.5	10	26.9	10	16.3
BENT DOWN POSITIONS	11	20.5	11	28.9	11	18.3
	12	22.5	12	30.9	12	20.3
	13	24.5	13	32.9	13	22.3
	14	26.5	14	34.9	14	24.3
	15	28.5	15	36.9	15	26.3
	16	30.5	16	38.9	16	28.3
	17	32.5	17	40.9	17	30.3
	18	34.5	18	42.9	18	32.3
	19	36.5	19	44.9	19	34.3
	20	38.5	20	46.9	20	36.3
	21	40.5	21	48.9	21	38.3
	22	42.5	22	50.9	22	40.3

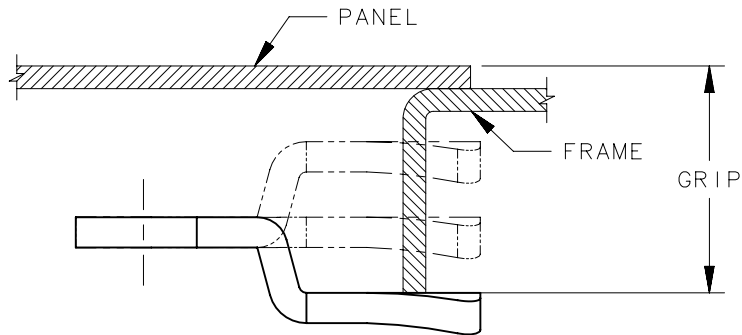
REVISION HISTORY			
REV	DATE	BY	DESCRIPTION
D	23AUG2012	DMS/YGC	PRN: P2009-0459



SCALE 1:1



PART NUMBER E5-6115 SHOWN



E5-61YY-77	E5 CAMS	STEEL	ZINC NICKEL PLATING
E5-61YY	E5 CAMS	STEEL	ZINC PLATE, BRIGHT CHROMATE
PART NUMBER	TYPE OF COMPONENT	MATERIAL	FINISH

THIRD ANGLE PROJECTION		 CONNECT • CREATE • INNOVATE	
MILLIMETERS [IN]			
TOLERANCES UNLESS OTHERWISE NOTED		DESCRIPTION CAMS, H3 MULTI-POINT LATCH	
ALL DIMENSIONS WITHOUT TOLERANCES ARE FOR REFERENCE ONLY.		SIZE A4	SYSTEM NX
PER ASME Y14.5M-1994		DWG NO. J-E5-61-A	DATE 30JUN2005
DRAWN BY AAB/MDY		SCALE 1:1	SHEET 1 OF 1

PROPRIETARY ITEM  
EXCEPT FOR USES EXPRESSLY GRANTED  
IN WRITING, INFORMATION DISCLOSED  
HEREON IS CONFIDENTIAL AND ALL  
RIGHTS, PATENT AND OTHERWISE,  
ARE RESERVED BY SOUTHCO, INC.