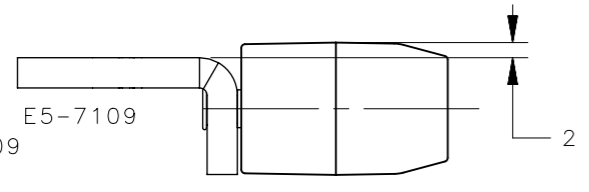
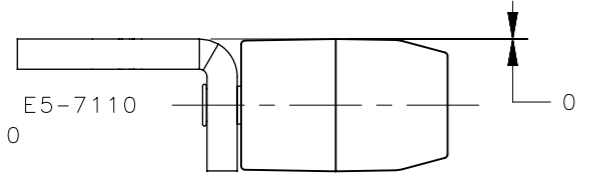


REVISION HISTORY			
REV	DATE	BY	DESCRIPTION
E	17JUN2019	CDW/MJS	PRN: P2019-1542

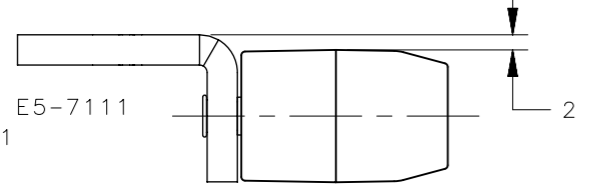
PART NUMBER: E5-7109
YY = 09



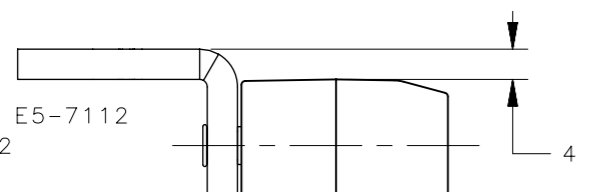
PART NUMBER: E5-7110
YY = 10



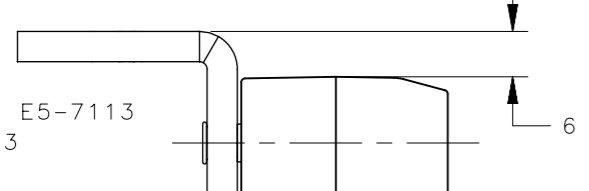
PART NUMBER: E5-7111
YY = 11



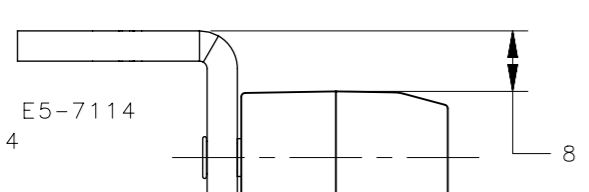
PART NUMBER: E5-7112
YY = 12



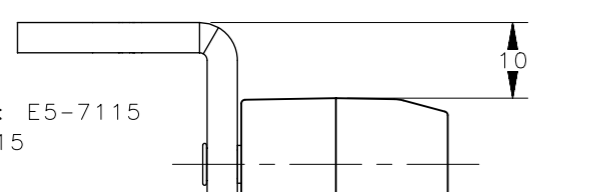
PART NUMBER: E5-7113
YY = 13



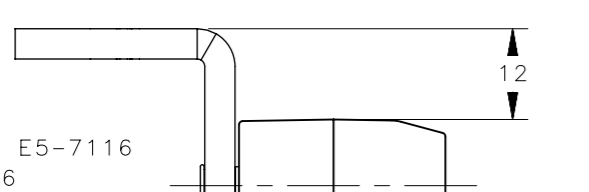
PART NUMBER: E5-7114
YY = 14



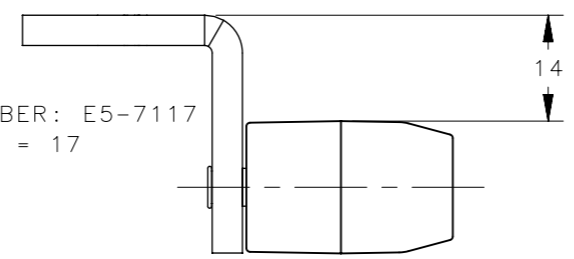
PART NUMBER: E5-7115
YY = 15



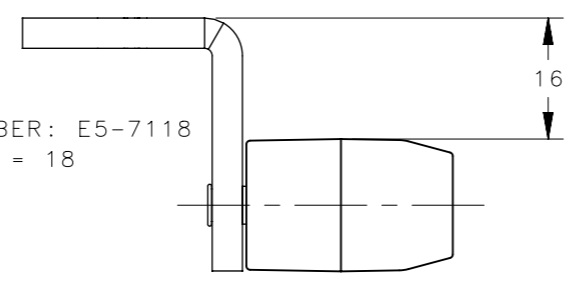
PART NUMBER: E5-7116
YY = 16



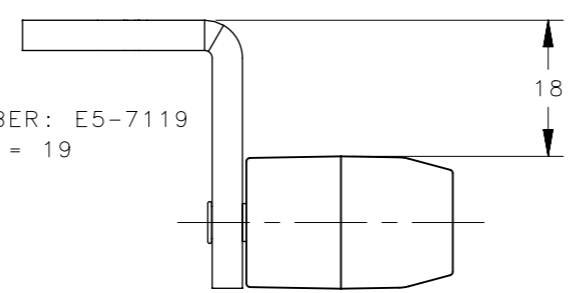
PART NUMBER: E5-7117
YY = 17



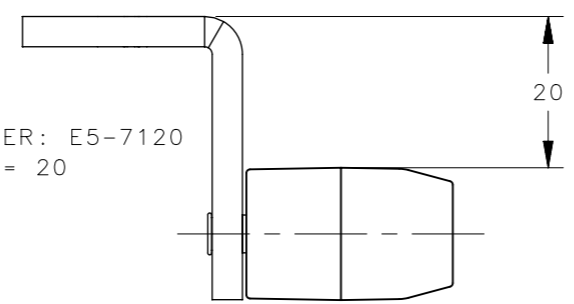
PART NUMBER: E5-7118
YY = 18



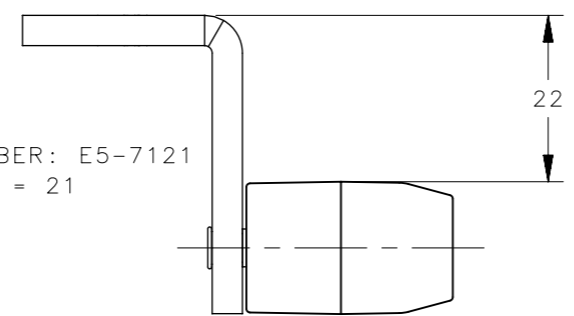
PART NUMBER: E5-7119
YY = 19



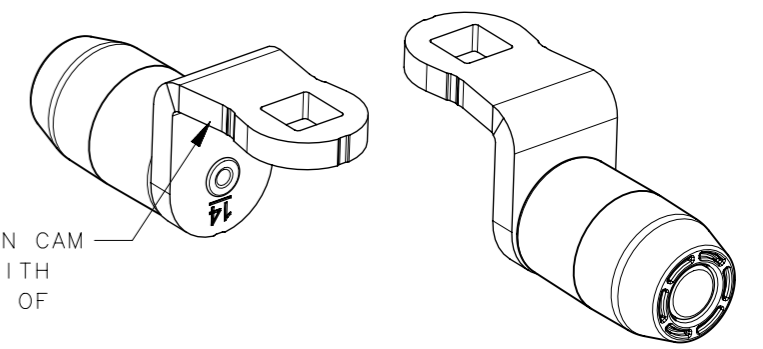
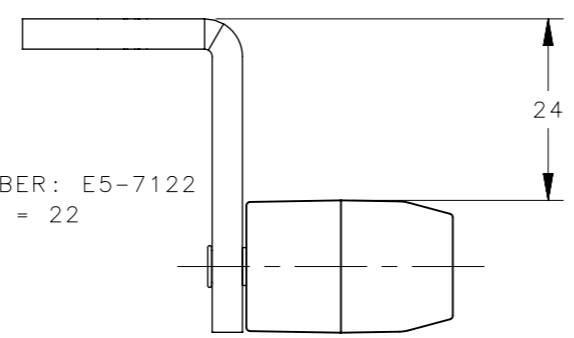
PART NUMBER: E5-7120
YY = 20



PART NUMBER: E5-7121
YY = 21

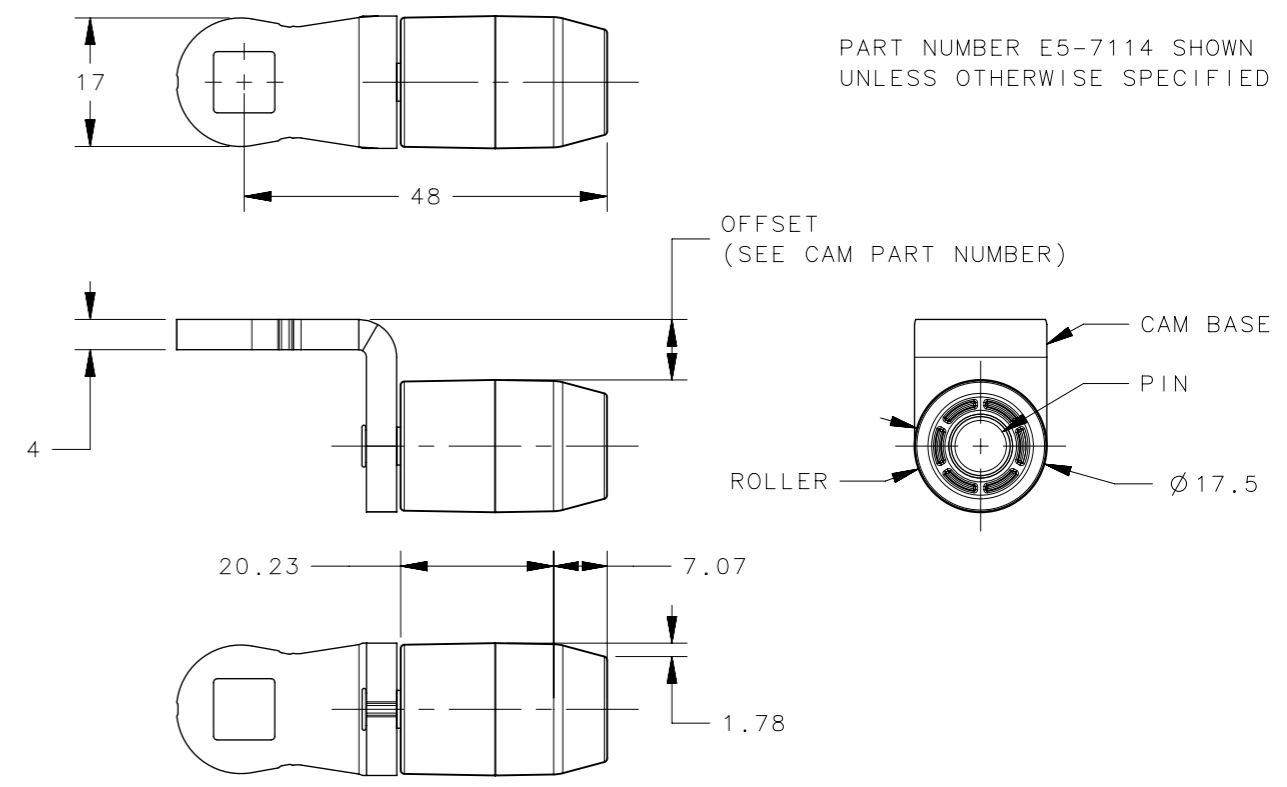


PART NUMBER: E5-7122
YY = 22



'YY' NUMBER ON CAM
CORRESPONDS WITH
LAST 2 DIGITS OF
ASSEMBLY P/N.

PART NUMBER E5-7114 SHOWN
UNLESS OTHERWISE SPECIFIED



- NOTES:
- A. MATERIAL & FINISH:
CAM BASE - STEEL ALLOY, ZINC PLATE PLUS BRIGHT CHROMATE
PIN - STEEL ALLOY, ZINC PLATE, PLUS BRIGHT CHROMATE
ROLLER - GLASS FILLED NYLON, UL94-V-0 RATED.
 - B. RoHS COMPLIANT.
 - C. COMPATIBLE WITH SOUTHCO H3 SWINGHANDLE LATCHES.
COMPATIBLE WITH E5-4 (PLASTIC) AND E5-9 (PADLOCKABLE WING ONLY).

3		1	BASE
2		1	ROLLER
1		3	CAM BASE
-	E5-71YY	-	ROLLER CAM ASSEMBLY
NO.	PART NUMBER	QTY	TYPE OF COMPONENT

THIRD ANGLE PROJECTION	
MILLIMETERS [IN]	
TOLERANCES UNLESS OTHERWISE NOTED	
UP TO 0.5	±0.1
OVER 0.5 UP TO 6	±0.2
OVER 6 UP TO 30	±0.4
OVER 30	±0.6
ANGLES	±5°
PROPRIETARY ITEM EXCEPT FOR USES EXPRESSLY GRANTED IN WRITING, INFORMATION DISCLOSED HEREON IS CONFIDENTIAL AND ALL RIGHTS, PATENT AND OTHERWISE, ARE RESERVED BY SOUTHCO, INC.	
PER ASME Y14.5M-1994	

southco[®]
CONNECT • CREATE • INNOVATE

DESCRIPTION
ROLLER CAM LATCH
FIXED GRIP, WITHOUT ROTATION STOP

SIZE SYSTEM DWG NO.
A3 NX J-E5-71

DRAWN BY DATE SCALE SHEET
ATH/CDW 15JUN2017 1:1 1 OF 1