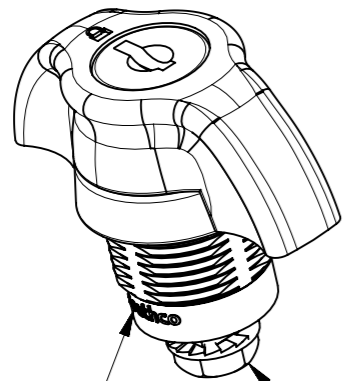


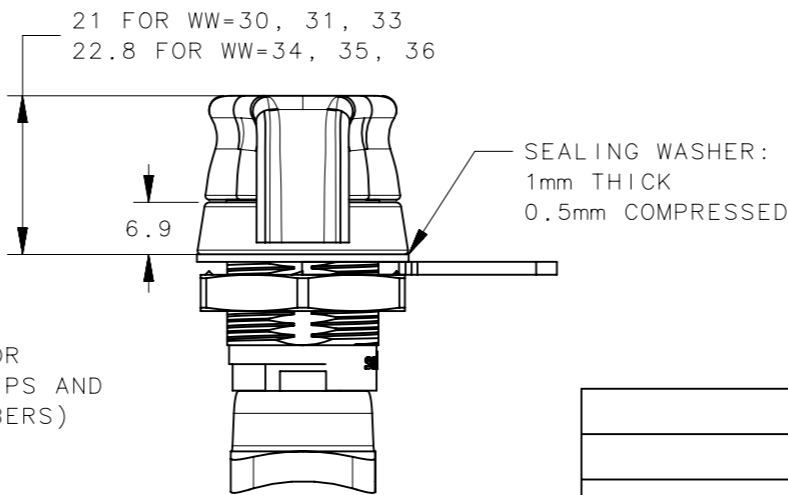
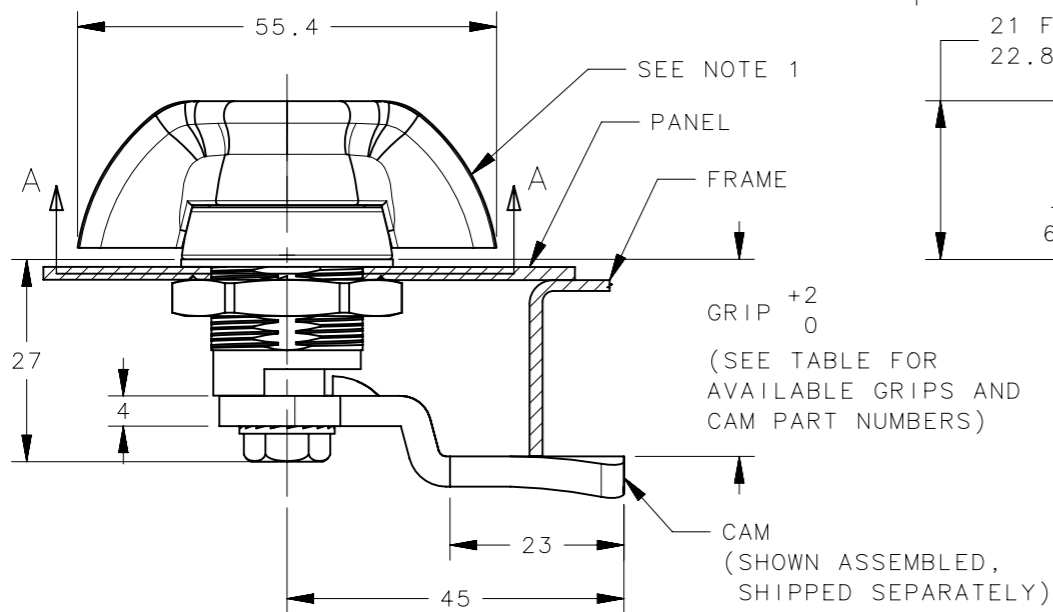
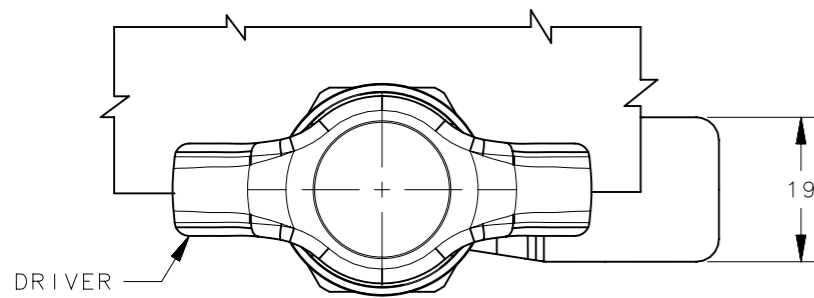
YY= CAM STYLE

CAM PART NUMBER: E5-60YY

YY	GRIP	YY	GRIP	YY	GRIP
03	4mm	10	18mm	17	32mm
04	6mm	11	20mm	18	34mm
05	8mm	12	22mm	19	36mm
06	10mm	13	24mm	20	38mm
07	12mm	14	26mm	21	40mm
08	14mm	15	28mm	22	42mm
09	16mm	16	30mm		



HOUSING
 YY=UU
 CAM ORDERED AND SHIPPED SEPARATELY (SEE TABLE)
 HEX FLANGE SCREW



NOTES:

- 1) DRIVER AND HOUSING ARE POWDER COATED BLACK ABOVE SECTION A-A. (2 THREADS MAXIMUM ON HOUSING).
- 2) "UU" CAM TYPE INDICATES THAT THE CAM IS ORDERED & SHIPPED SEPERATELY.
- 3) FOR CAM PART NUMBER SEE GRIP TABLE.
- 4) FOR KEY INFORMATION REFER TO J-PK-10-01 (PLASTIC OVERMOLDED).
- 5) COSMETIC SPECIFICATION:
 ALL SURFACES ABOVE SETION A-A CONFORM TO A CLASS "B" DESIGNATION AS DESCRIBED IN SOUTHCO COSMETIC SPECIFICATION S-121-03.

OMITTED WHEN
 W= 30, 33 OR 36

PART NUMBER

E5-9-WW 5-YY1- RIK

ACTUATION STYLE
 (SEE BELOW)

CAM STYLE
 (SEE BELOW)

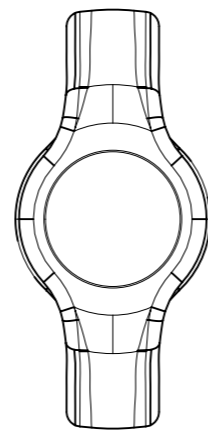
KEY REMOVAL:
 1= LOCKED/UNLOCKED
 POSITION

KEY OPTIONS:

- 0= NO KEYS INCLUDED, ORDER SEPARATELY
- 1= 1 KEY PER LOCK (FLAT KEY)
- 2= 2 KEYS PER LOCK (FLAT KEYS)
- 3= 1 KEY PER LOCK (PLASTIC OVERMOLDED)
- 4= 2 KEYS PER LOCK (PLASTIC OVERMOLDED)

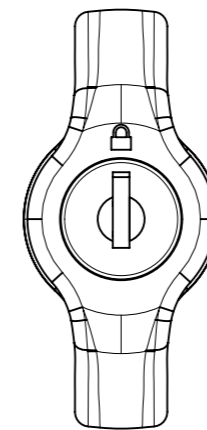
WW = ACTUATION STYLE

WW=30



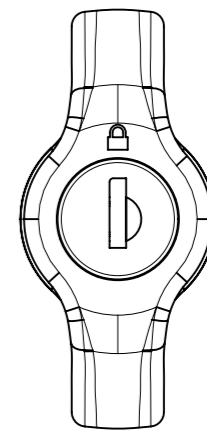
NON-LOCKING

WW=31 CH751 KEY CODE
 WW=33 LOCK ORDERED SEPARATELY



BLACK LOCK CORE KEY
 OPEN KEYWAY

WW=34 CH751 KEY CODE, SINGLE SIDED
 WW=35 R001 KEY CODE, REVERSIBLE
 WW=36 LOCK ORDERED SEPARATELY



STAINLESS STEEL SCALP
 WITH SHUTTER

THIRD ANGLE PROJECTION				southco [®] CONNECT • CREATE • INNOVATE	
MILLIMETERS [IN]					
TOLERANCES UNLESS OTHERWISE NOTED		DESCRIPTION		E5 QUAD LATCH (WING KNOB) M22 X 24.9 HOUSING	
ALL DIMENSIONS WITHOUT TOLERANCES ARE FOR REFERENCE ONLY.		SIZE	SYSTEM	DWG NO.	
PER ASME Y14.5M-1994		A3	NX	J-E5-9-3	
PROPRIETARY ITEM <small>EXCEPT FOR USES EXPRESSLY GRANTED IN WRITING, INFORMATION DISCLOSED HEREON IS CONFIDENTIAL AND ALL RIGHTS, PATENT AND OTHERWISE, ARE RESERVED BY SOUTHCO, INC.</small>		DRAWN BY	DATE	SCALE	SHEET
		LCR	13JUL2004	1:1	1 OF 3

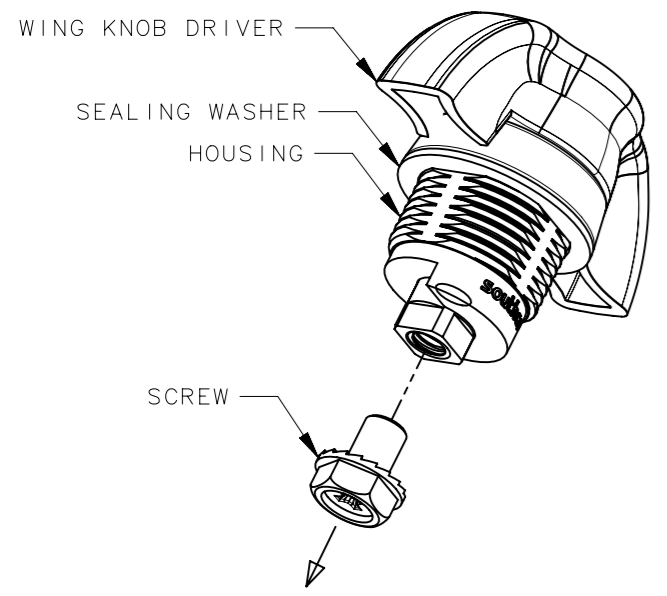
REVISION HISTORY			
REV	DATE	BY	DESCRIPTION
K	12APR2021	ASM/CAD	PRN: P2021-0690

REVISION HISTORY			
REV	DATE	BY	DESCRIPTION
K	12APR2021	ASM/CAD	PRN: P2021-0690

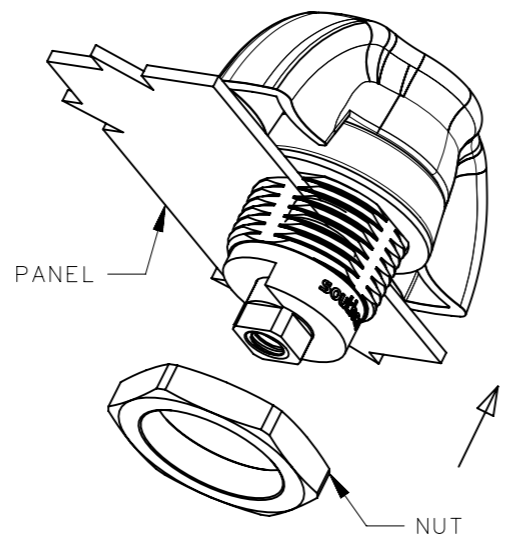
LATCH INSTALLATION INTO PANEL

NOTES:
 1. FOR PART NUMBER, MATERIAL & FINISH, AND PANEL PREPARATION, SEE SHEET 1 & 2.

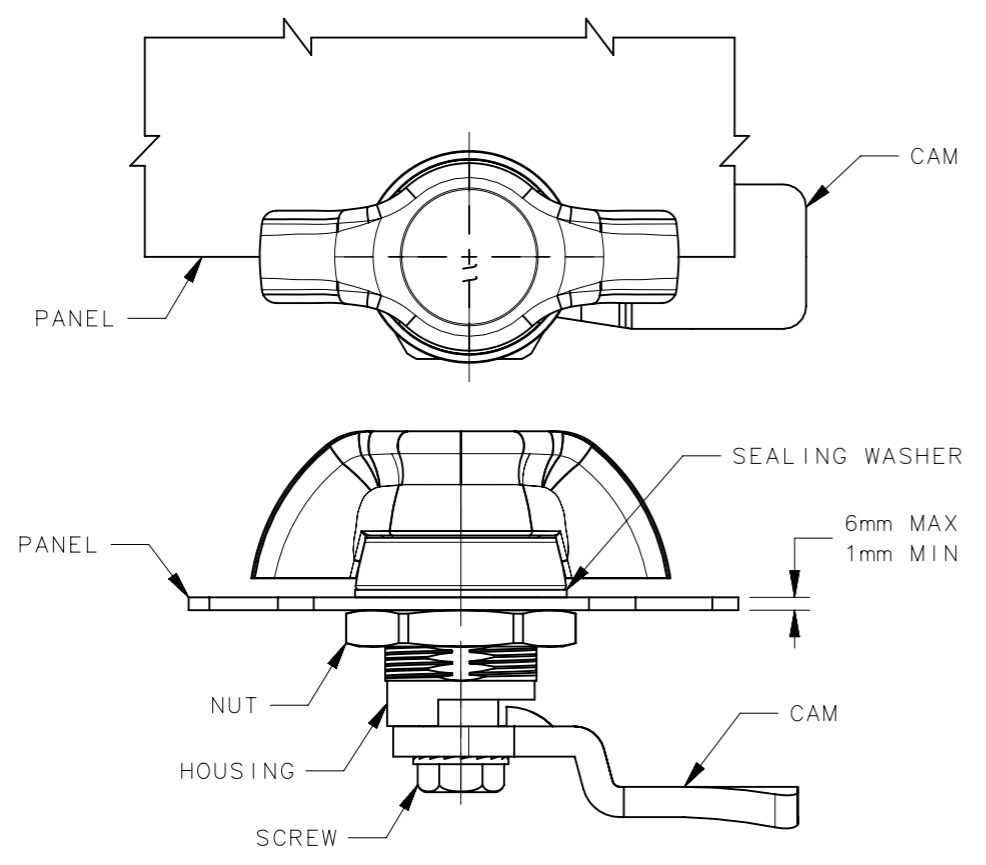
INSTALLATION METHOD:
 1. REMOVE FROM HOUSING
 2. PLACE SEALING WASHER ONTO LATCH HOUSING AND PLACE THROUGH HOLE.



3. INSTALL MOUNTING NUT AND TIGHTEN TO 10 N-m MAX.



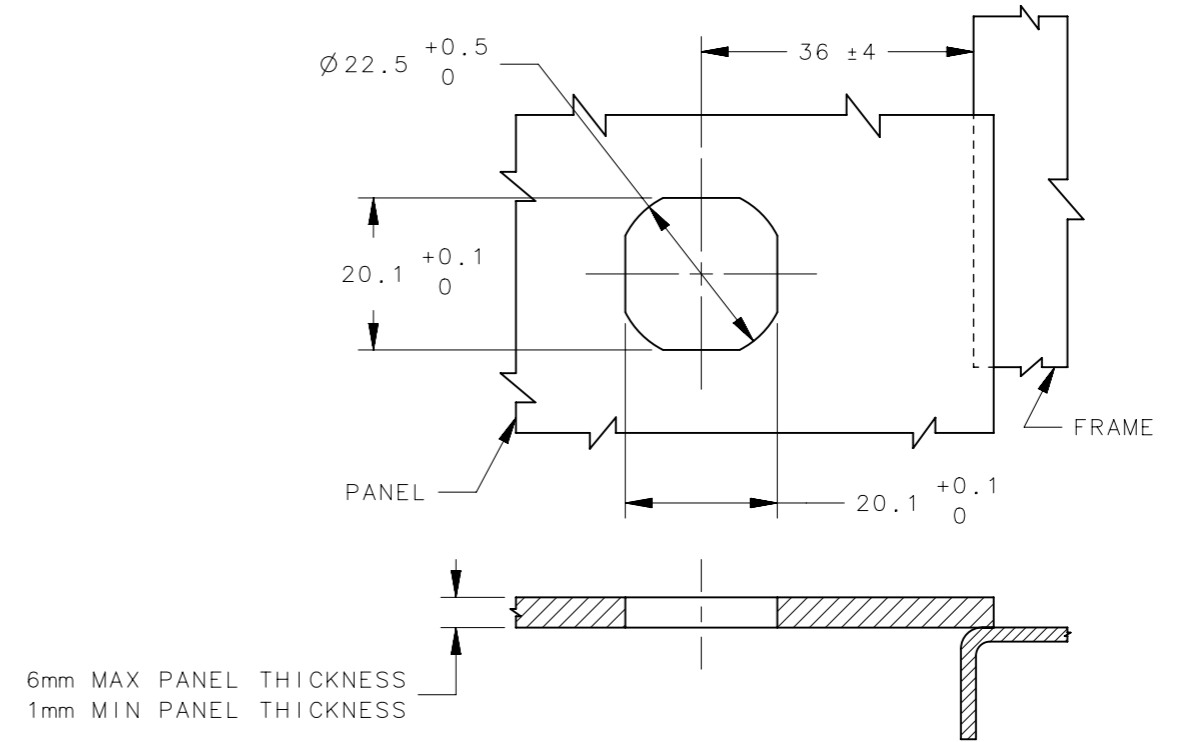
4. ATTACH CAM TO LATCH ASSEMBLY. ASSURE THAT CAM IS ORIENTED IN DESIRE POSITION.
 5. INSTALL SCREW. TIGHTEN TO 5 N-m USING 10mm HEX OR No.2 PHILLIPS DRIVER.



MATERIAL AND FINISH

COMPONENT	MATERIAL DESCRIPTION	FINISH DESCRIPTION	REMARKS
DRIVER	DIE CAST ZINC	BLACK POWDER COAT	VISIBLE PORTION OF DRIVE STUD IN ASSEMBLY IS POWDER COATED
HOUSING	DIE CAST ZINC	BLACK POWDER COAT	HEAD IS POWDER COATED, ABOVE SECTION A-A, (2 THREADS MAX)
CAM	STEEL	ZINC PLATE, BRIGHT CHROMATE	
O-RINGS	NITRILE	BLACK	
SEALING WASHER	POLYURETHANE	BLACK	
HEX FLANGE SCREW	LOW CARBON STEEL	ZINC PLATE, BRIGHT CHROMATE	
MOUNTING NUT	DIE CAST ZINC	ZINC PLATE, BRIGHT CHROMATE	
LOCK CORE	DIE CAST ZINC	WW=31 - BLACK POWDER COAT WW=34, 35 - BRIGHT CHROMATE	KEY LOCKING WITH LOCK CORE ASSEMBLY ONLY (WW=31, 34, 35)
SHIPPING CORE	POLYURETHANE	BLACK	KEY LOCKING, NO LOCK CORE (WW=33, 36), ASSEMBLY ONLY
LOCK EXTENDER	DIE CAST ZINC	CORICONE DIP	KEY LOCKING ASSEMBLY ONLY (WW=31, 33, 34, 35, 36)
LOCK PAWL	STEEL	ZINC PLATE	KEY LOCKING ASSEMBLY ONLY (WW=31, 33, 34, 35, 36)

PANEL PREPARATION



THIRD ANGLE PROJECTION			
MILLIMETERS [IN]			
TOLERANCES UNLESS OTHERWISE NOTED		DESCRIPTION E5 QUAD LATCH (WING KNOB) M22 X 24.9 HOUSING	
ALL DIMENSIONS WITHOUT TOLERANCES ARE FOR REFERENCE ONLY.		SIZE A3	SYSTEM NX
PER ASME Y14.5M-1994		DWG NO. J-E5-9-3	DATE 13JUL2004
DRAWN BY LCR		SCALE 1:1	SHEET 2 OF 3

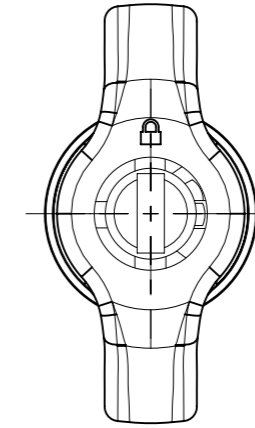
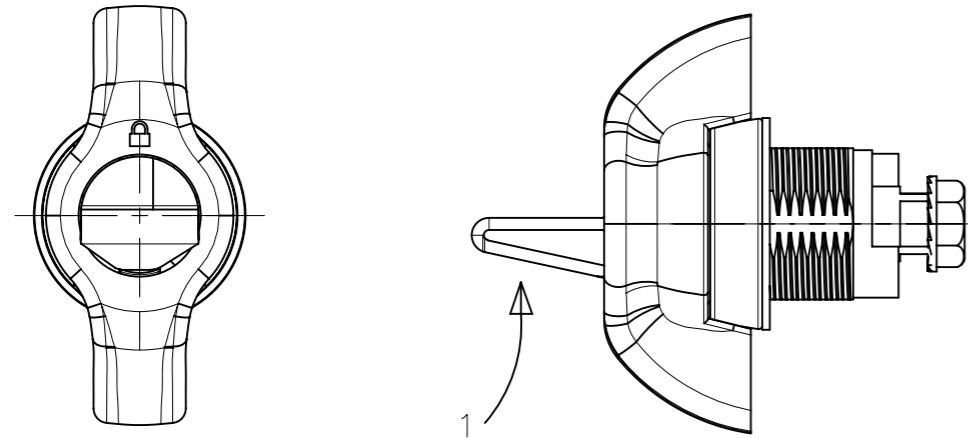
REVISION HISTORY			
REV	DATE	BY	DESCRIPTION
K	12APR2021	ASM/CAD	PRN: P2021-0690

LOCK CORE INSTALLATION INSTRUCTIONS FOR LOCKING ASSEMBLY
 SOLD WITHOUT LOCK CORES: (PART NO. E5-9-335-YY1 & E5-9-365-YY1)

LOCK CORE INSTALLATION:

1. SQUEEZE SPRING LEG TOWARD CENTER OF PLUG.

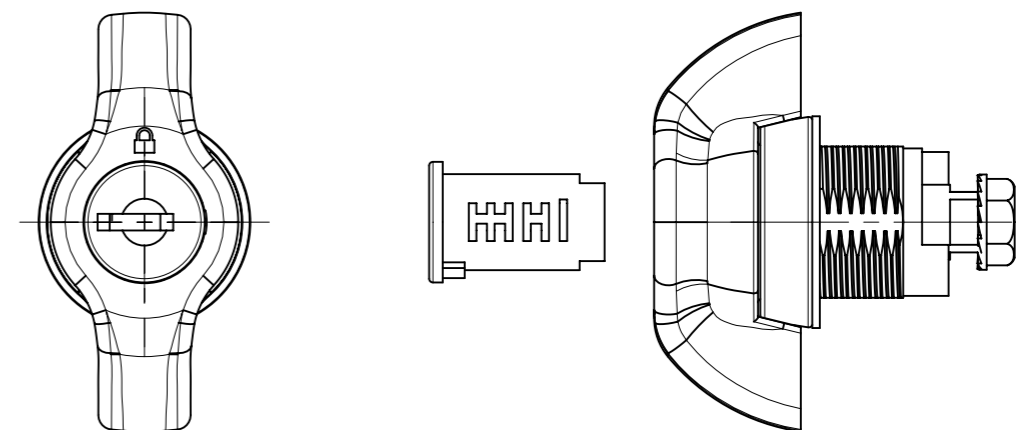
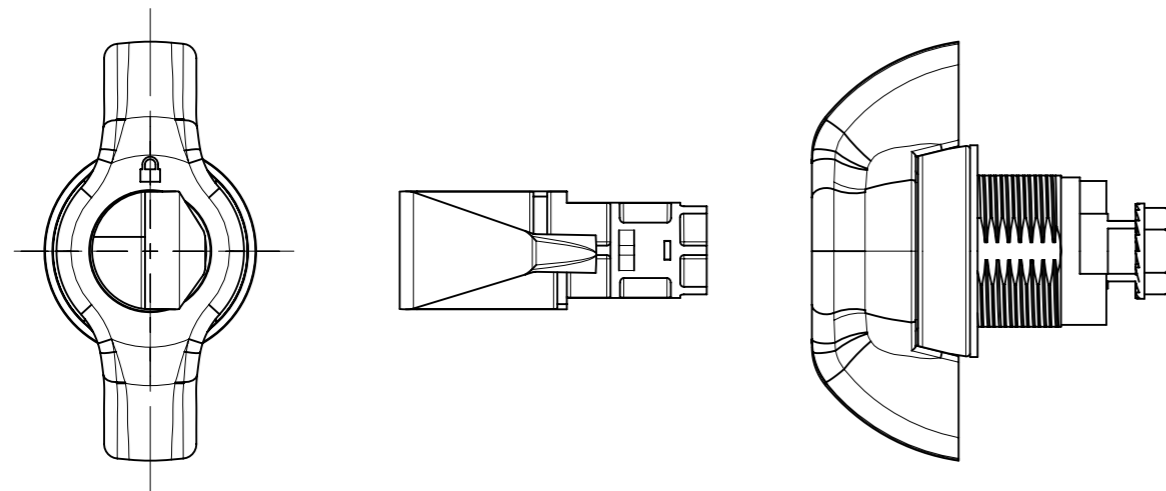
3. VERIFY ORIENTATION OF LOCK EXTENDER AS SHOWN.



2. WITH SPRING LEG DEPRESSED, ROTATE PLUG 90° COUNTER CLOCKWISE AND PULL PLUG OUT OF DRIVER.

4. WITH WAFERS PROTRUDING 90° CLOCLWISE FROM LOCK SYMBOL, INSERT LOCK CORE INTO DRIVER.

5. INSERT KEY INTO LOCK CORE AND TURN 90° CLOCKWISE TO VERIFY LOCK CORE IS FULLY SEATED AND OPERATING PROPERLY AFTER INSTALLATION.



	THIRD ANGLE PROJECTION	 CONNECT • CREATE • INNOVATE	
	MILLIMETERS [IN]		
SURFACE AREA	TOLERANCES UNLESS OTHERWISE NOTED	DESCRIPTION E5 QUAD LATCH (WING KNOB) M22 X 24.9 HOUSING	
VOLUME	ALL DIMENSIONS WITHOUT TOLERANCES ARE FOR REFERENCE ONLY.	SIZE A3	SYSTEM NX
PROPRIETARY ITEM	PER ASME Y14.5M-1994	DWG NO. J-E5-9-3	DATE 13JUL2004
EXCEPT FOR USES EXPRESSLY GRANTED IN WRITING, INFORMATION DISCLOSED HEREON IS CONFIDENTIAL AND ALL RIGHTS, PATENT AND OTHERWISE, ARE RESERVED BY SOUTHCO, INC.		DRAWN BY LCR	SCALE 1:1
			SHEET 3 OF 3