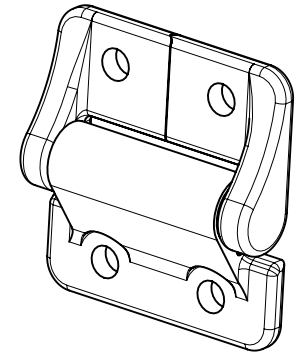
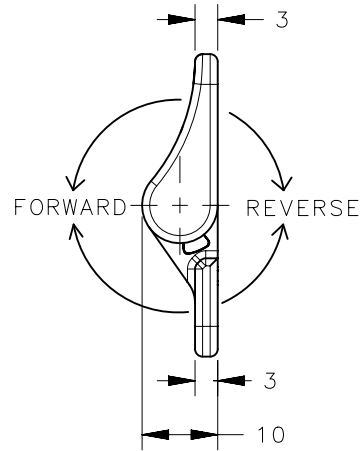
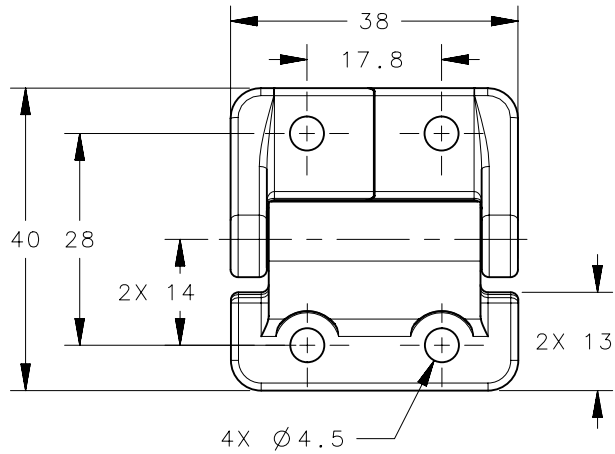
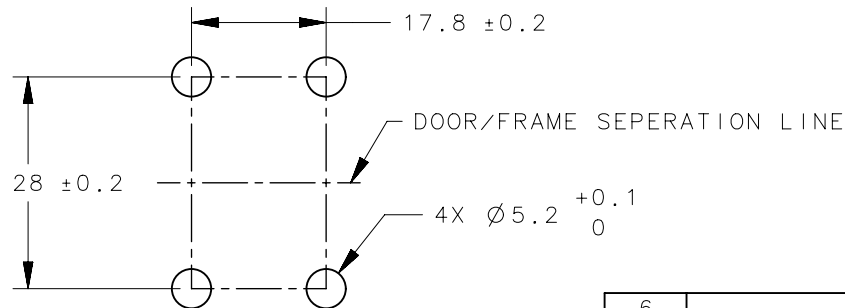


REVISION HISTORY			
REV	DATE	BY	DESCRIPTION
B	14JUN2017	NBK/YGC	PRN: P2017-1412



SCALE 1:1



PANEL PREPARATION

PART NUMBER

E6-10-200-XX

FINISH:

- 50 = BLACK POWDER COATED
- 63 = NATURAL
- 70 = SILVER POWDER COATED

6	-	1	HOUSING	ALUMINIUM DIE CAST	SEE FINISH TABLE
5	-	1	ADAPTER, LEFT	ALUMINIUM DIE CAST	SEE FINISH TABLE
4	-	1	SHAFT	STEEL	-
3	-	1	ADAPTER, RIGHT	ALUMINIUM DIE CAST	SEE FINISH TABLE
2	-	2	BEARING	ZINC DIE CAST	-
1	-	2	O-RING	BUNA-N	-
-	E6-10-200-XX	-	ASSEMBLY-COATED/CAST	-	SEE FINISH TABLE
NO.	PART NUMBER	QTY	TYPE OF COMPONENT	MATERIAL	FINISH

NOTES:

1. PERFORMANCE TORQUE TOLERANCE $\pm 20\%$
2. DESIGNED TO ACCEPT M4 OR No. 8 SCREW OR EQUIVALENT.
3. 3.2/ ALL SURFACES EXCEPT AS NOTED.

THIRD ANGLE PROJECTION		 CONNECT • CREATE • INNOVATE	
MILLIMETERS [IN]			
TOLERANCES UNLESS OTHERWISE NOTED		DESCRIPTION	
ALL DIMENSIONS WITHOUT TOLERANCES ARE FOR REFERENCE ONLY		E6 200 SERIES FREE SWING HING ASSEMBLY	
PROPRIETARY ITEM <small>EXCEPT FOR USES EXPRESSLY GRANTED IN WRITING, INFORMATION DISCLOSED HEREON IS CONFIDENTIAL AND ALL RIGHTS, PATENT AND OTHERWISE, ARE RESERVED BY SOUTHCO, INC.</small>	PER ASME Y14.5M-1994	SIZE A4	SYSTEM NX
		DWG NO. J-E6-10-200	
		DRAWN BY GEA	DATE 18AUG2009
		SCALE 1:1	SHEET 1 OF 1