



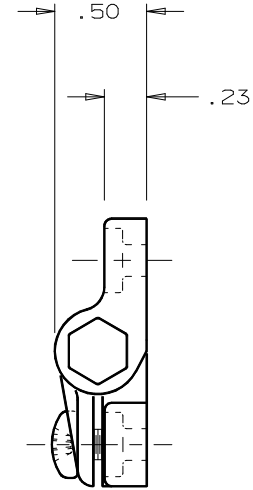
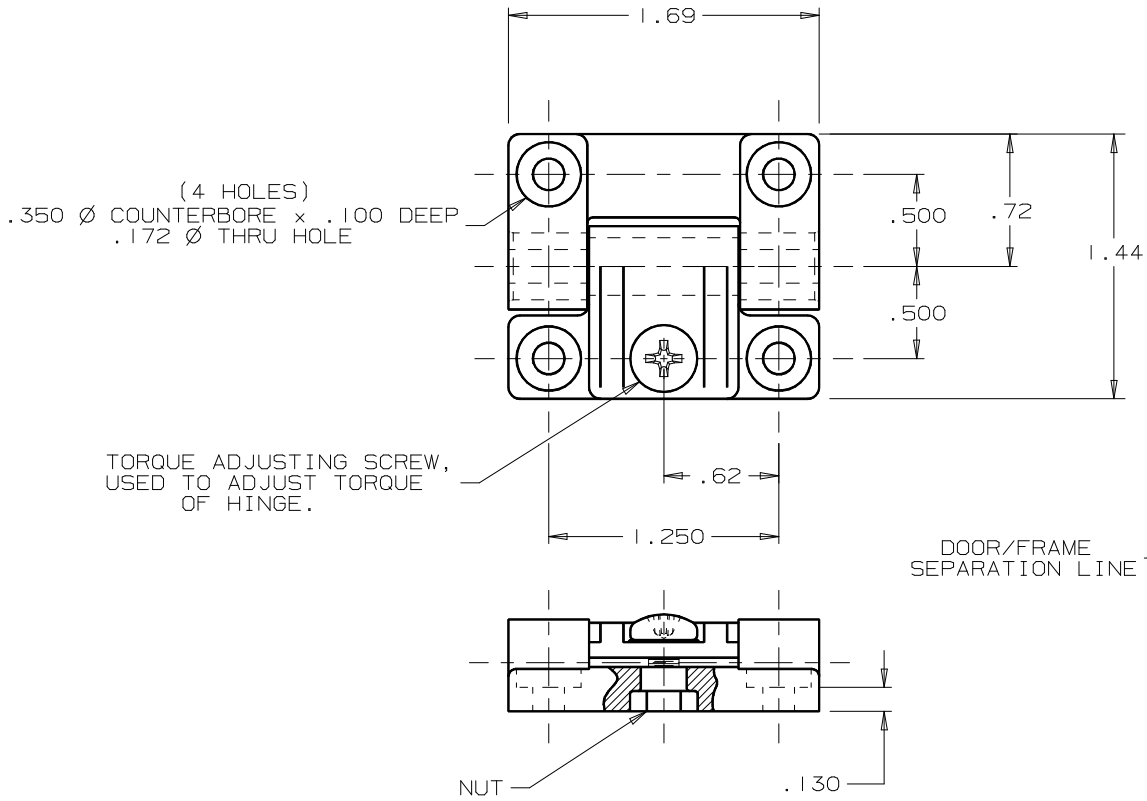
SOUTHCO No. E6 ADJUSTABLE FRICTION HINGE
300 SERIES

DATE	DRAWN	CHKD	SCALE	DRAWING NUMBER
12/10/81	JHV		FULL	J-E6-10-301-10

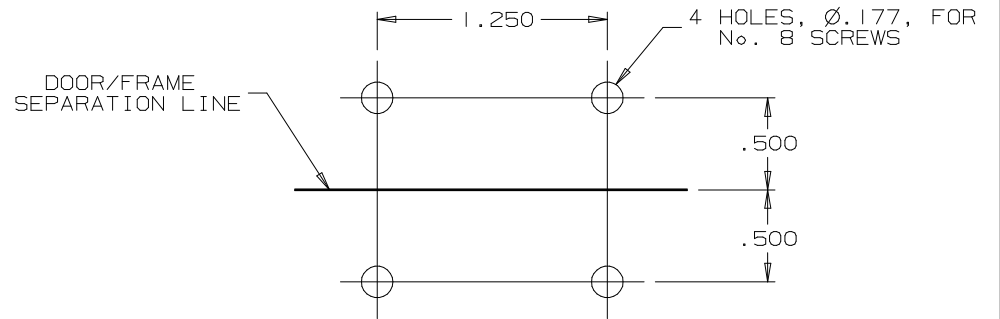
CONCORDVILLE, PA

REV.	DATE	BY-CHKD	REVISIONS	ITEM	PART No.	MATERIAL	FINISH
P	4/10/91	JAD	REDRAWN ON CAD (PRN:E6-68)	HINGE ASSEMBLY	E6-10-301-10		
Q	9/23/91	JAD	PRN:E6-72	ADJUSTABLE LEAF		ACETAL	WHITE
R	25FEB92	GWJ	MOUNTING HOLE WAS .172Ø	FIXED LEAF		ACETAL	WHITE
S	12 JAN.93	KPL	PRN:S-1-03	ADJUSTMENT SCREW		STAINLESS STEEL	PASSIVATED
				PIN		POLYCARBONATE	NATURAL
				NUT		STAINLESS STEEL	PASSIVATED

NOTE A. SHIPPED ASSEMBLED, BULK.
FOR HINGE TO BE PACKAGED
ONE PER BAG, ADD SUFFIX
"-P" TO THE PART NUMBER.



NOTE: SCREW NOT SUPPLIED
BY SOUTHCO.



DOOR & FRAME PREPARATION

FORMATA 3/88

PROPRIETARY ITEM - EXCEPT FOR USES EXPRESSLY GRANTED IN WRITING
INFORMATION DISCLOSED HEREON IS CONFIDENTIAL AND ALL RIGHTS PATENT
AND OTHERWISE ARE RESERVED BY SOUTHCO, INC.

PAT. 4,630,333
PAT. 4,490,884
PAT. D 278,309

TOLERANCES UNLESS OTHERWISE NOTED.
DECIMALS
ANGLES
TWO PLACE (.XX) ±.01 THREE PLACE (.XXX) ±.005 DEG. ± 1°

DRAWING NUMBER
J-E6-10-301-10