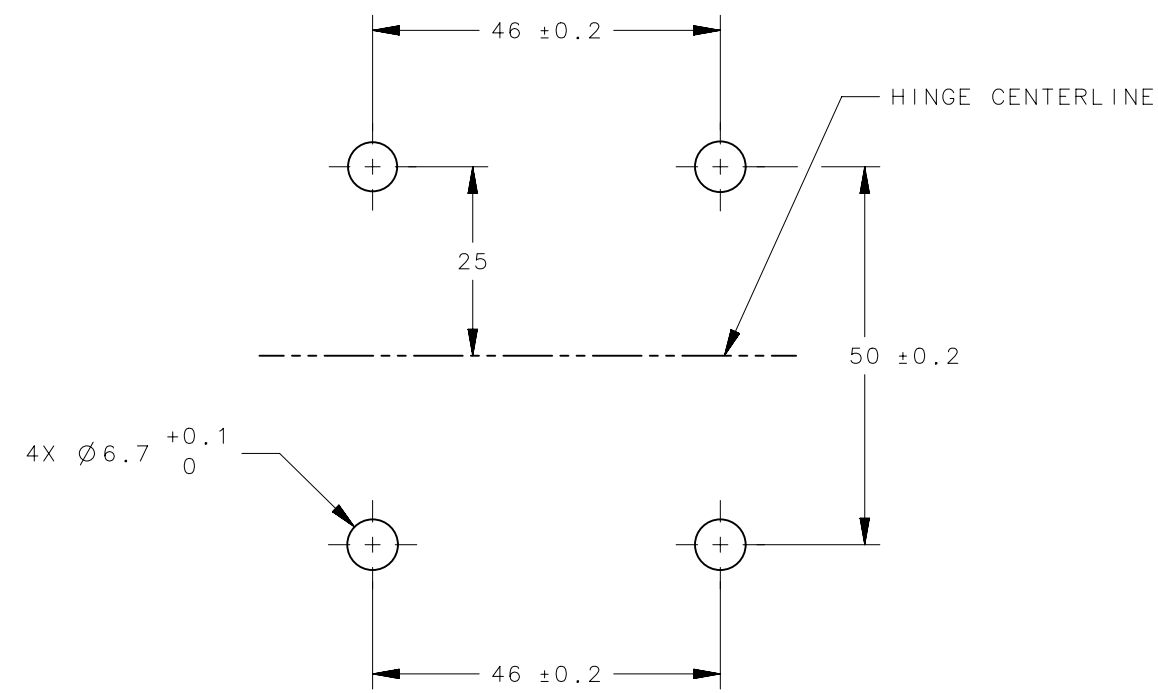
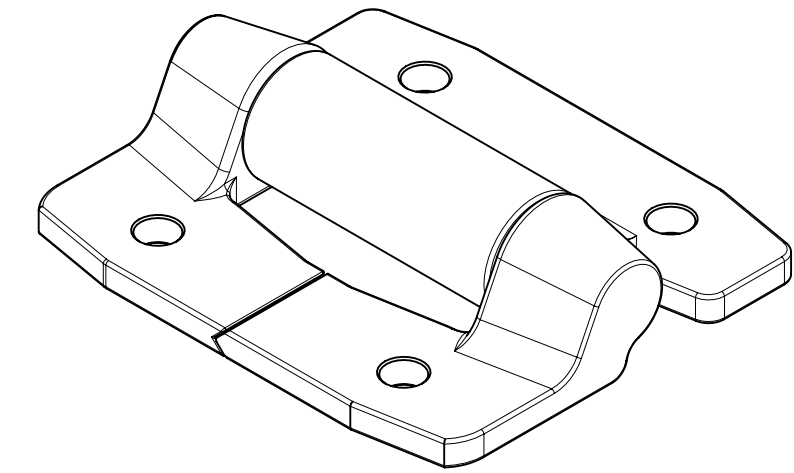


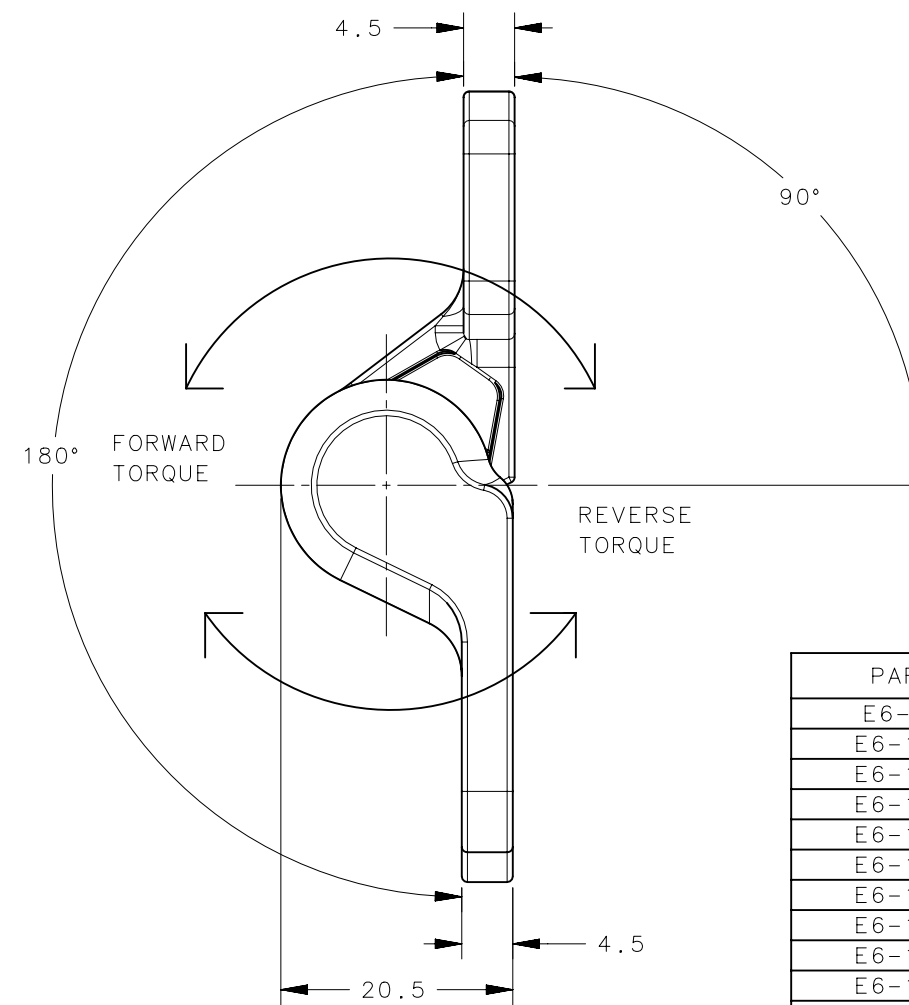
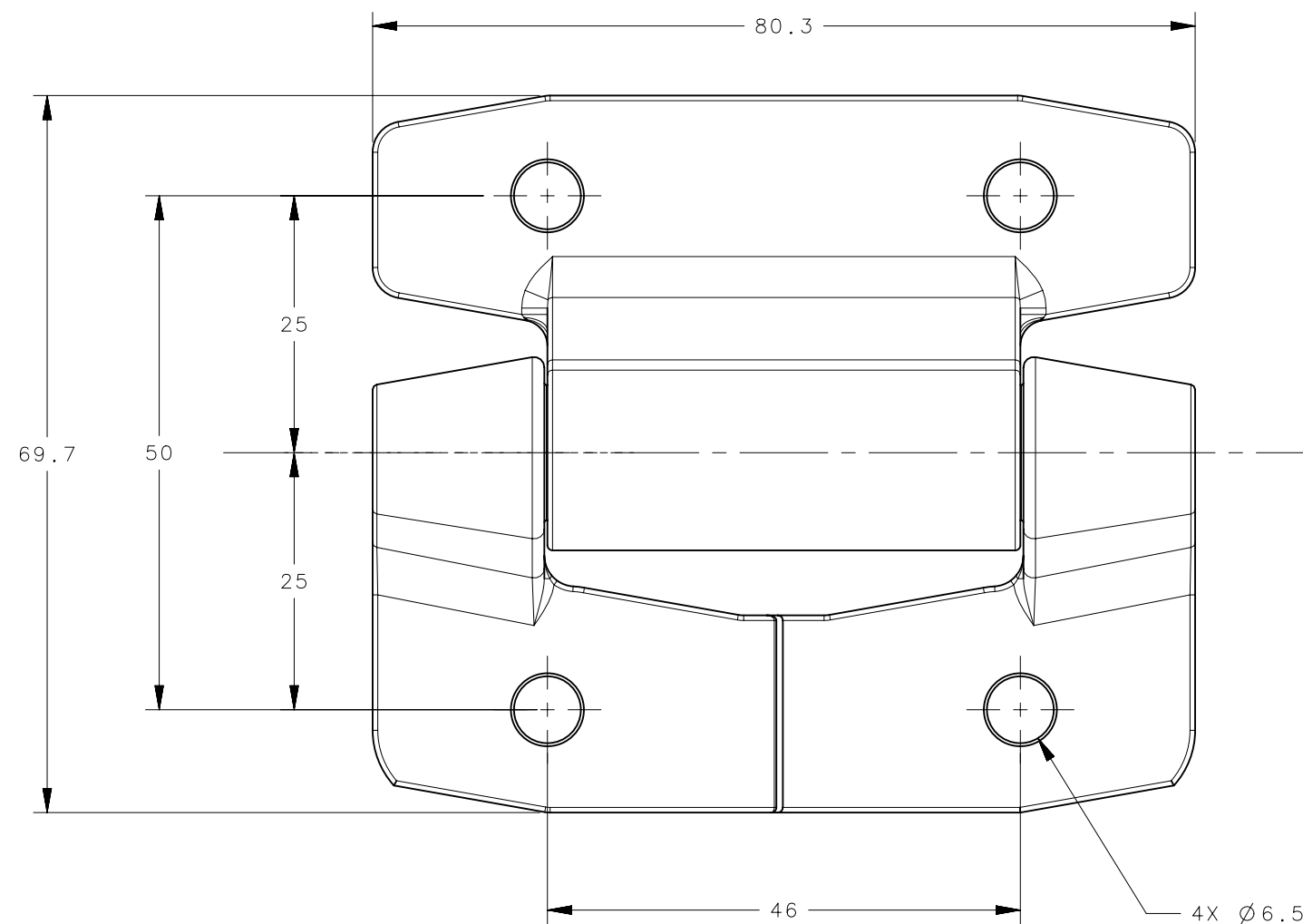
REVISION HISTORY			
REV	DATE	BY	DESCRIPTION
H	12AUG2021	OAP/DMS	PRN: P2021-1614



PANEL PREPARATION



SCALE 1:1



PART NUMBER	FORWARD TORQUE	REVERSE TORQUE
E6-10-600-50	FREE OPERATING	
E6-10-620S-50	2.3 N-m (20.0 in-lbf) ±20%	
E6-10-635S-50	3.9 N-m (35.0 in-lbf) ±15%	
E6-10-650S-50	5.7 N-m (50.0 in-lbf)	
E6-10-665S-50	7.3 N-m (65.0 in-lbf)	
E6-10-680S-50	9.0 N-m (80.0 in-lbf)	
E6-10-620F-50	2.3 N-m (20.0 in-lbf) ±20%	1.7 N-m (14.9 in-lbf) REF
E6-10-635F-50	3.9 N-m (35.0 in-lbf) ±15%	3.0 N-m (26.7 in-lbf) REF
E6-10-650F-50	5.7 N-m (50.0 in-lbf)	4.0 N-m (35.7 in-lbf) REF
E6-10-665F-50	7.3 N-m (65.0 in-lbf)	5.4 N-m (47.5 in-lbf) REF
E6-10-680F-50	9.0 N-m (80.0 in-lbf)	6.7 N-m (59.4 in-lbf) REF
E6-10-695F-50	10.7 N-m (95.0 in-lbf)	7.8 N-m (68.9 in-lbf) REF
E6-10-6110F-50	12.4 N-m (110.0 in-lbf)	9.0 N-m (79.8 in-lbf) REF
E6-10-620R-50	1.7 N-m (14.9 in-lbf) REF	2.3 N-m (20.0 in-lbf) ±20%
E6-10-635R-50	3.0 N-m (26.7 in-lbf) REF	3.9 N-m (35.0 in-lbf) ±15%
E6-10-650R-50	4.0 N-m (35.7 in-lbf) REF	5.7 N-m (50.0 in-lbf)
E6-10-665R-50	5.4 N-m (47.5 in-lbf) REF	7.3 N-m (65.0 in-lbf)
E6-10-680R-50	6.7 N-m (59.4 in-lbf) REF	9.0 N-m (80.0 in-lbf)
E6-10-695R-50	7.8 N-m (68.9 in-lbf) REF	10.7 N-m (95.0 in-lbf)
E6-10-6110R-50	9.0 N-m (79.8 in-lbf) REF	12.4 N-m (110.0 in-lbf)

NOTES:

- PERFORMANCE TORQUE TOLERANCE ±20% OVER 20,000 CYCLES
- DESIGNED TO ACCEPT M6 SCREW OR EQUIVALENT
- MATERIAL AND FINISH:
HINGE LEAVES AND HOUSING: ALUMINUM ALLOY, BLACK POWDER COAT
SHAFT, PIN & TORQUE ELEMENTS: STEEL
O-RINGS: BUNA-N RUBBER
BEARINGS: BRASS
BUSHINGS: ZINC ALLOY

THIRD ANGLE PROJECTION		southco CONNECT · CREATE · INNOVATE
MILLIMETERS [IN]		
TOLERANCES UNLESS OTHERWISE NOTED		DESCRIPTION HINGE - CONSTANT TORQUE
ALL DIMENSIONS WITHOUT TOLERANCES ARE FOR REFERENCE ONLY.		SIZE SYSTEM C NX
DWG NO. J-E6-10-680		SCALE 1.5:1
PER ASME Y14.5M-1994		SHEET 1 OF 1