

southco	PROPRIETARY ITEM - EXCEPT FOR USES EXPRESSLY GRANTED IN WRITING INFORMATION DISCLOSED HEREON IS CONFIDENTIAL AND ALL RIGHTS PATENT AND OTHERWISE ARE RESERVED BY SOUTHCO, INC.		EH THREADSTUD HINGE - 40mm X 40mm M5 THREAD		DATE	DRAWN	CHKD	SCALE	DRAWING NUMBER
					12JUL2005	AJH		1:1	J-EH-5A-4G4

REV	DATE	DRAWN/CHKD	DESCRIPTION	ITEM	PART NUMBER	MATERIAL	FINISH
A	12JUL2005	AJH/RLR	PRN: P2005-0853	HINGE ASSEMBLY	EH-5A-4G4-38	-	-
B	12AUG2005	MJS/RLR	PRN: P2005-1047	LEAF (2)	-	DIE CAST ZINC	CHROME PLATED
C	16SEP2005	MDY/AJH	PRN: P2005-1234	M5 THREADSTUD (4)	-	STEEL	ZINC PLATE, BRIGHT CHROMATE
D	04APR2013	DJK/CMS	PRN: P2013-0704	KNURLED PIN	-	STAINLESS STEEL	NATURAL
				HINGE ASSEMBLY	EH-5A-4G4-50	-	-
				LEAF (2)	-	DIE CAST ZINC	BLACK POWDER COATED
				M5 THREADSTUD (4)	-	STEEL	ZINC PLATE, BRIGHT CHROMATE
				KNURLED PIN	-	STAINLESS STEEL	NATURAL

MILLIMETERS

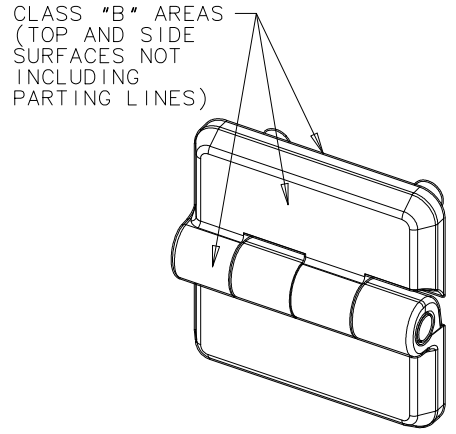
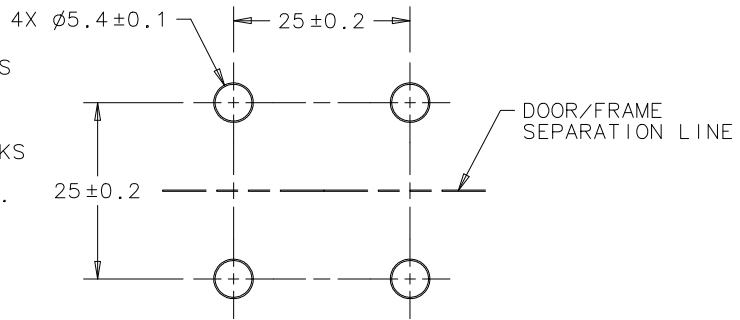
ALL DIMENSIONS WITHOUT TOLERANCES ARE FOR REFERENCE ONLY.

THIRD ANGLE PROJECTION

A4 PAPER SIZE

NOTES:

- A. COSMETIC SPECIFICATION:
 CLASS "B" - NON-DECORATIVE AREAS IN CONTINUOUS VIEW AFTER INSTALLATION.
 CLASS "D" - AREAS SELDOM OR NEVER VIEW AFTER INSTALLATION. THIS COULD INCLUDE PARTING LINES AND EJECTOR PIN MARKS
- B. PACKAGING: TRAY PACKAGED SHIPPED (50) PER BOX.
- C. RoHS COMPLIANT.



PANEL PREPARATION

