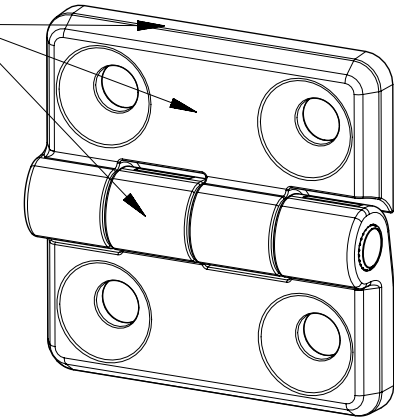


NOTES:

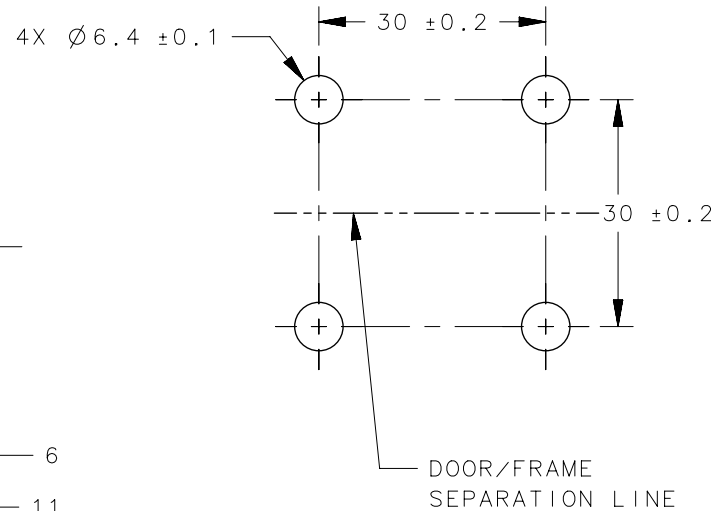
1. ALL COMPONENTS ARE RoHS COMPLIANT.
2. PACKAGING: TRAY PACKAGED (50) PER BOX.
3. "XX" DESIGNATES ASSEMBLY/LEAF FINISH AS FOLLOWS:
 - XX = 38 BRIGHT CHROME PLATED
 - XX = 40 WHITE POWDER COATED
 - XX = 50 BLACK POWDER COATED
4. COSMETIC SPECIFICATION:
 - CLASS "B"--NON-DECORATIVE AREAS IN CONTINUOUS VIEW AFTER INSTALLATION.
 - CLASS "D"--AREAS SELDOM OR NEVER VIEW AFTER INSTALLATION. THIS COULD INCLUDE PARTING LINES AND EJECTOR PIN MARKS.

| REVISION HISTORY | | | |
|------------------|-----------|---------|-----------------|
| REV | DATE | BY | DESCRIPTION |
| G | 13JUL2023 | SDR/CRM | PRN: P2023-1198 |

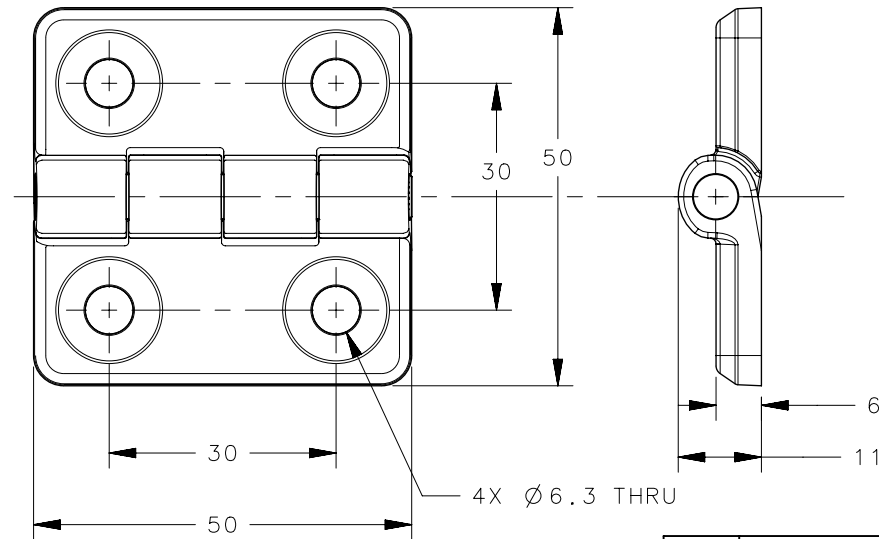
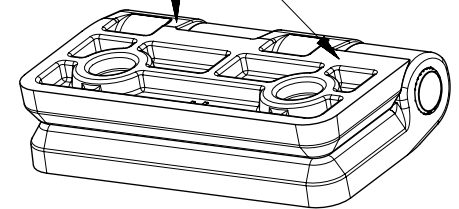
CLASS "B" AREAS
(TOP AND SIDE SURFACES, NOT INCLUDING PARTING LINES)



PANEL PREPARATION



CLASS "D" AREAS
(BOTTOM SURFACES)



| 2 | - | 1 | PIN | STAINLESS STEEL | NATURAL |
|-----|--------------|-----|-------------------|-----------------|------------|
| 1 | - | 2 | LEAF | ZAMAC 3 | SEE NOTE 3 |
| - | EH-6A-5V5-XX | - | HINGE ASSEMBLY | - | SEE NOTE 3 |
| NO. | PART NUMBER | QTY | TYPE OF COMPONENT | MATERIAL | FINISH |

| | | | | | |
|--|--|---|-----------|--|--------|
| THIRD ANGLE PROJECTION | | | | southco [®] CONNECT • CREATE • INNOVATE | |
| MILLIMETERS [IN] | | DESCRIPTION | | | |
| SURFACE AREA | | TOLERANCES UNLESS OTHERWISE NOTED | | EH COUNTERSUNK HINGE | |
| VOLUME | | ALL DIMENSIONS WITHOUT TOLERANCES ARE FOR REFERENCE ONLY. | | 50mm X 50mm | |
| PROPRIETARY ITEM | | SIZE | SYSTEM | DWG NO. | |
| EXCEPT FOR USES EXPRESSLY GRANTED IN WRITING, INFORMATION DISCLOSED HEREON IS CONFIDENTIAL AND ALL RIGHTS, PATENT AND OTHERWISE, ARE RESERVED BY SOUTHCO, INC. | | A4 | NX | J-EH-6A-5V5 | |
| PER ASME Y14.5M-1994 | | DRAWN BY | DATE | SCALE | SHEET |
| | | AJH | 12JUL2005 | DNS | 1 OF 1 |