

southco®

PROPRIETARY ITEM - EXCEPT FOR USES EXPRESSLY GRANTED IN WRITING INFORMATION DISCLOSED HEREON IS CONFIDENTIAL AND ALL RIGHTS PATENT AND OTHERWISE ARE RESERVED BY SOUTHCO, INC.

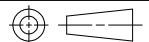
EH COUNTERSUNK HINGE - 76mm X 60mm

DATE	DRAWN	CHKD	SCALE	DRAWING NUMBER
26MAY2006	MGG		0.75:1	J-EH-7A-6V8

REV	DATE	DRAWN/CHKD	DESCRIPTION	ITEM	PART NUMBER	MATERIAL	FINISH
A	30MAY2006	MGG	INITIAL DRAWING RELEASE	HINGE ASSEMBLY	EH-7A-6V8-38	-	-
B	13SEP2006	MGG	PRN: P2006-1230	LEAF (2)	-	DIE CAST ZINC	CHROME PLATED
C	18DEC2006	MGG	PRN: P2006-1763	KNURLED PIN	-	STAINLESS STEEL	PASSIVATED
D	17JAN2012	CMS/JCK	PRN: P2012-0070				
				HINGE ASSEMBLY	EH-7A-6V8-50	-	-
				LEAF (2)	-	DIE CAST ZINC	BLACK POWDER COATED
				KNURLED PIN	-	STAINLESS STEEL	PASSIVATED

MILLIMETERS

ALL DIMENSIONS WITHOUT TOLERANCES ARE FOR REFERENCE ONLY.



THIRD ANGLE PROJECTION

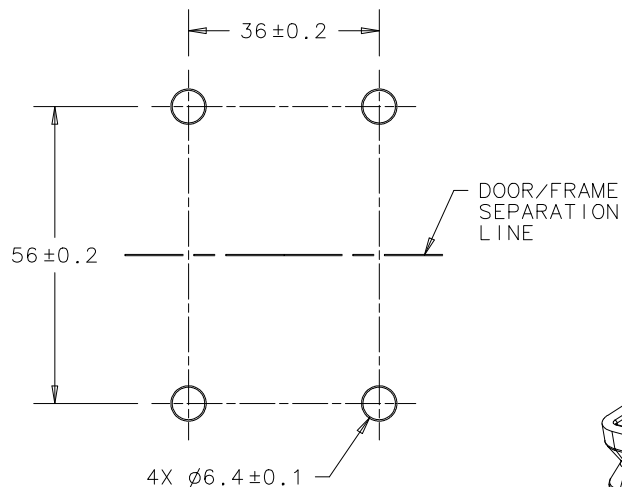
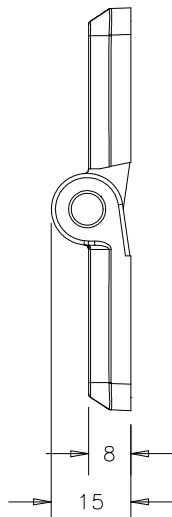
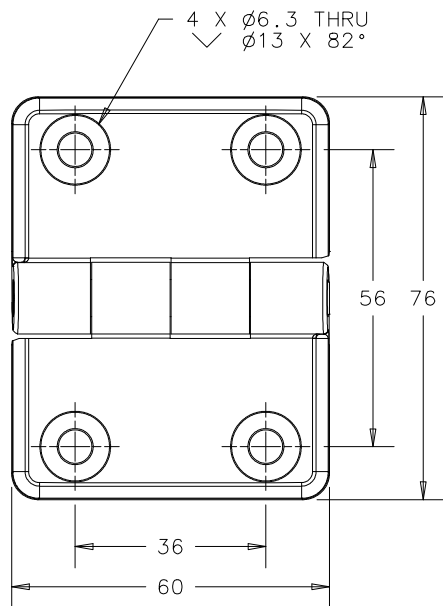
A4 PAPER SIZE

NOTES:

A. COSMETIC SPECIFICATION:
ALL SURFACES ARE TO CONFORM TO A CLASS "B" DESIGNATION UNLESS OTHERWISE INDICATED AS DESCRIBED IN SOUTHCO COSMETIC SPECIFICATIONS:

S-121-01 FOR CHROME PLATING
S-121-03 FOR POWDER COATING

B. PACKAGING:
TRAY PACKAGED. SHIPPED (50) PER BOX.



PANEL PREPARATION

