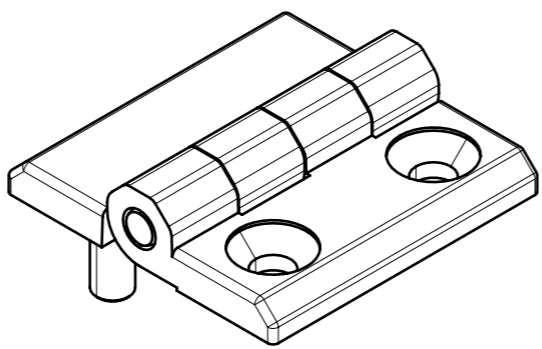
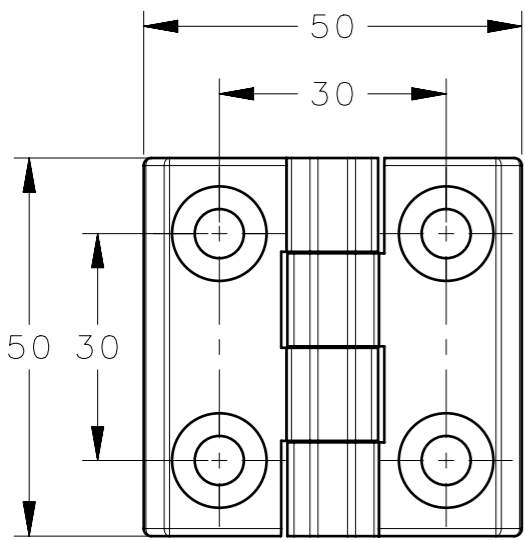
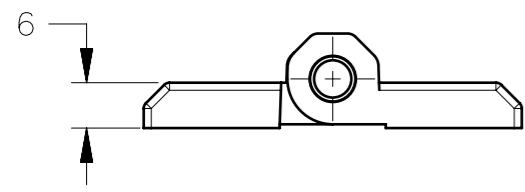
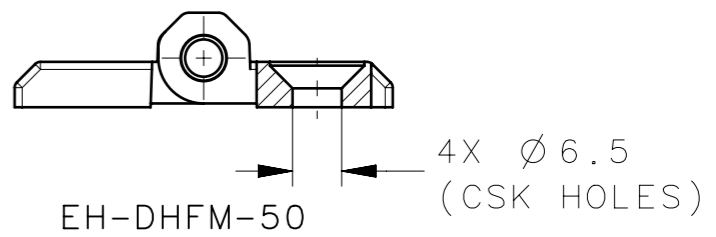


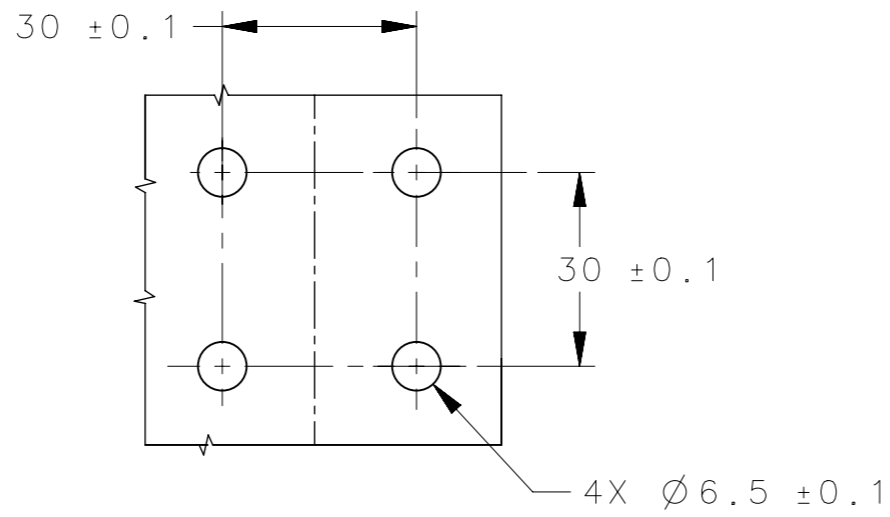
REVISION HISTORY			
REV	DATE	BY	DESCRIPTION
A	21AUG2024	SBK/VK	IPN: IP-2024-2045



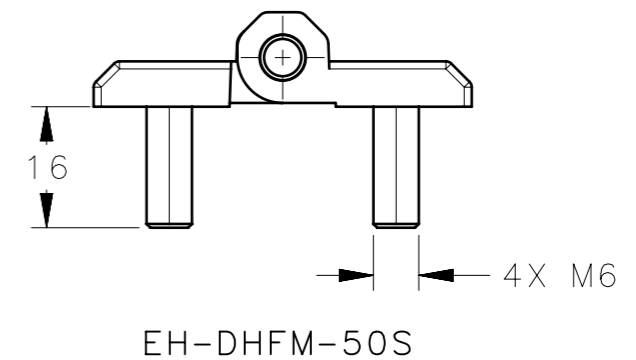
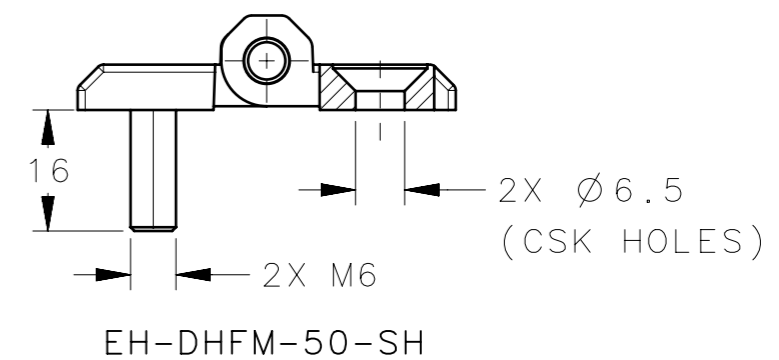
SHOWN PART NO
EH-DHFM-50-SH



SHOWN PART NO
EH-DHFM-50



PANEL PREPRATION



- NOTES:-
1. MOUNTING SCREWS NOT SUPPLIED.
 2. OPENING ANGLE 180°.

EH-DHFM-50	FLAT HINGE , (CSK HOLE + CSK HOLE)	ZINC DIE CAST	BLACK POWDER COATED
EH-DHFM-50-SH	FLAT HINGE , (STUD + CSK HOLE)	ZINC DIE CAST	BLACK POWDER COATED
EH-DHFM-50S	FLAT HINGE , (STUD + STUD)	ZINC DIE CAST	BLACK POWDER COATED
SOUTHCO PART NUMBER	DESCRIPTION	MATERIAL	FINISH
CPB NUMBER 2024-0676	THIRD ANGLE PROJECTION	 CONNECT • CREATE • INNOVATE	
	MILLIMETERS [IN]		
SURFACE AREA mm ²	TOLERANCES UNLESS OTHERWISE NOTED	DESCRIPTION FLAT HINGE	
VOLUME mm ³	ALL DIMENSIONS WITHOUT TOLERANCES ARE FOR REFERENCE ONLY.	SIZE A3	SYSTEM NX
PROPRIETARY ITEM EXCEPT FOR USES EXPRESSLY GRANTED IN WRITING, INFORMATION DISCLOSED HEREON IS CONFIDENTIAL AND ALL RIGHTS, PATENT AND OTHERWISE, ARE RESERVED BY SOUTHCO, INC.	PER ASME Y14.5M-2009	DWG NO. J-EH-DHFM-50	DATE 24JUL2024
		SCALE 1:1	SHEET 1 OF 1