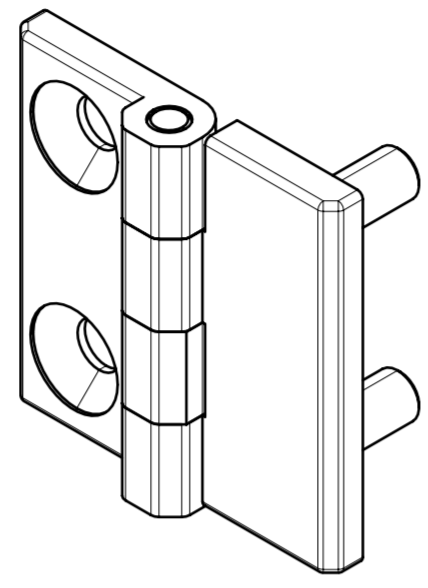
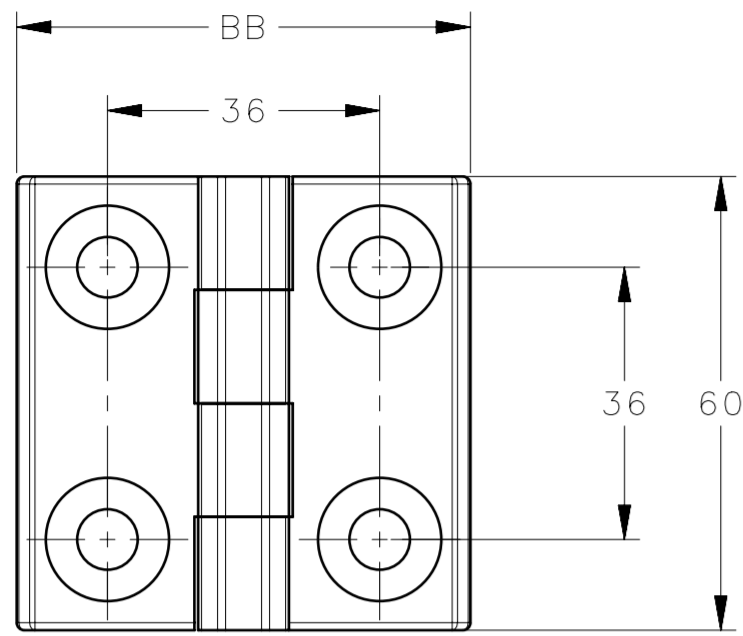
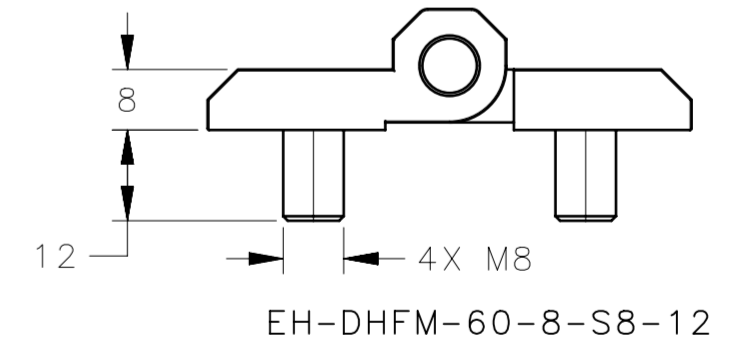
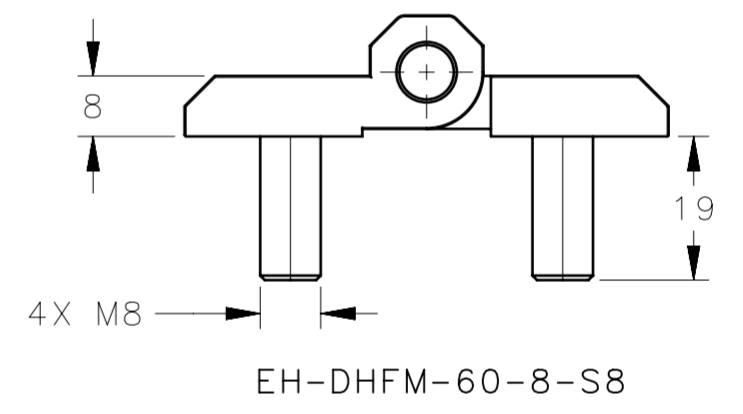
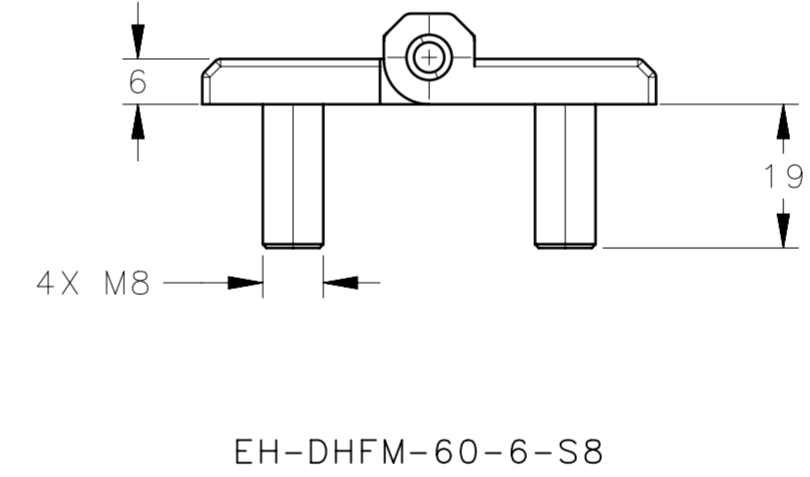
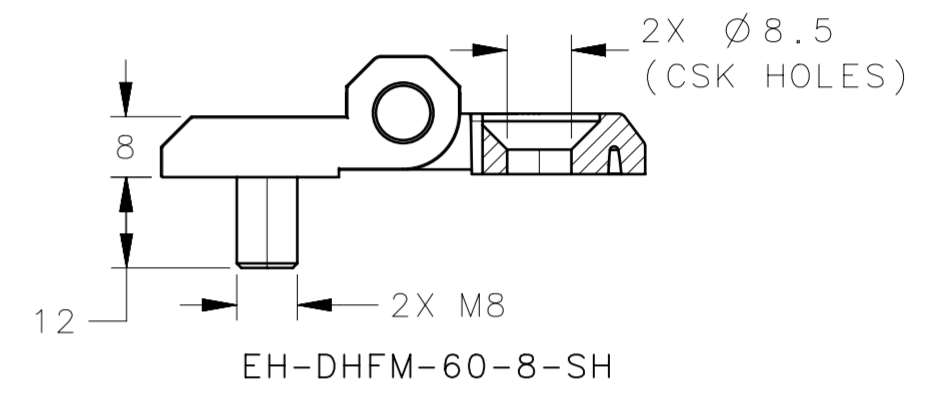
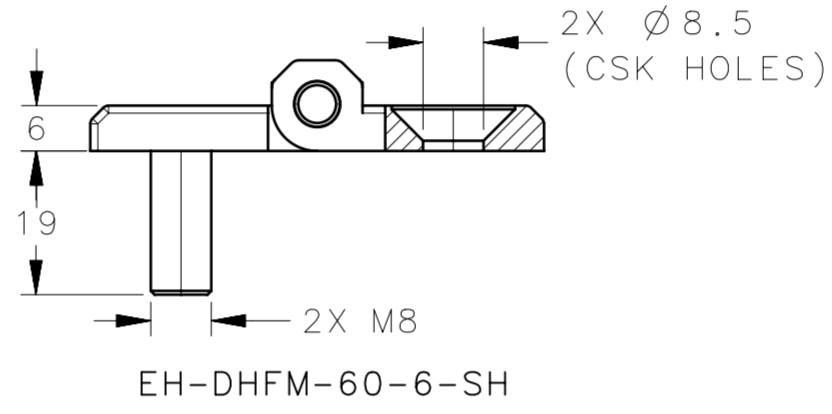
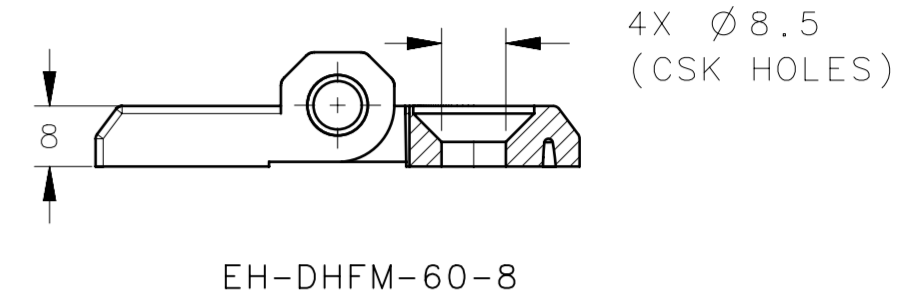
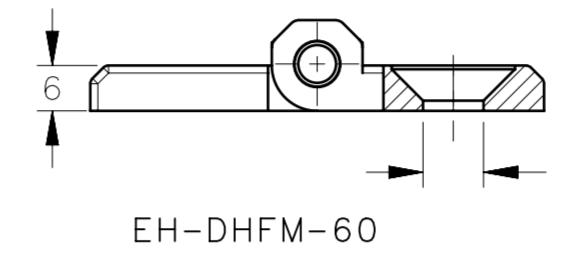
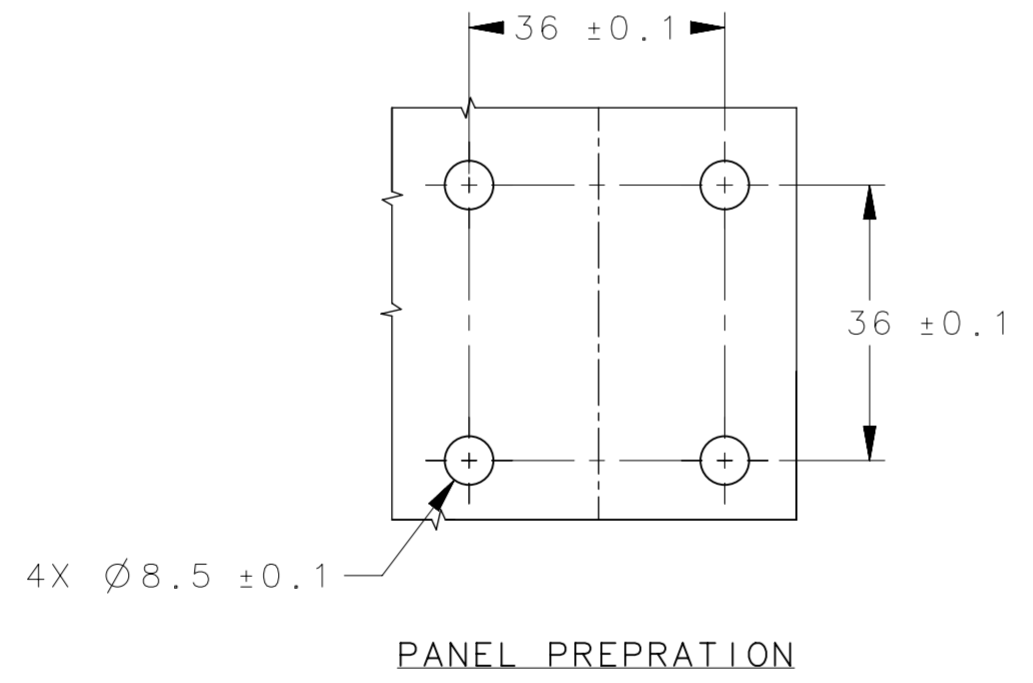
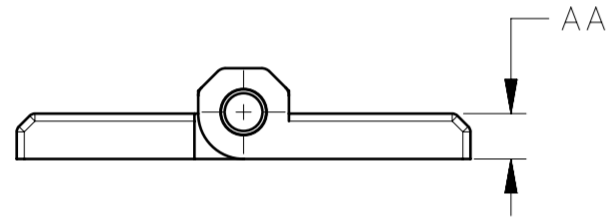


REVISION HISTORY			
REV	DATE	BY	DESCRIPTION
A	21AUG2024	SBK/VK	IPN: 1P-2024-2045



SHOWN PART NO  
EH-DHFM-60-6-SH



PART NUMBER	DESCRIPTION	MATERIAL	FINISH	THICKNESS (AA)	TOTAL LENGTH (BB)
EH-DHFM-60	FLAT HINGE , (CSK HOLE + CSK HOLE)	ZINC DIE CAST	BLACK POWDER COATED	6	60
EH-DHFM-60-6-SH	FLAT HINGE , (STUD + CSK HOLE)	ZINC DIE CAST	BLACK POWDER COATED	6	60
EH-DHFM-60-6-S8	FLAT HINGE , (STUD + STUD)	ZINC DIE CAST	BLACK POWDER COATED	6	60
EH-DHFM-60-8	FLAT HINGE , (CSK HOLE + CSK HOLE)	ZINC DIE CAST	BLACK POWDER COATED	8	64
EH-DHFM-60-8-SH	FLAT HINGE , (STUD + CSK HOLE)	ZINC DIE CAST	BLACK POWDER COATED	8	64
EH-DHFM-60-8-S8	FLAT HINGE , (STUD + STUD)	ZINC DIE CAST	BLACK POWDER COATED	8	64
EH-DHFM-60-8-S8-12	FLAT HINGE , (STUD + STUD)	ZINC DIE CAST	BLACK POWDER COATED	8	64

NOTES:-  
1. MOUNTING SCREWS NOT SUPPLIED.  
2. OPENING ANGLE 180°.

CPB NUMBER 2024-0676	THIRD ANGLE PROJECTION	<p><b>southco</b> CONNECT · CREATE · INNOVATE</p>
SURFACE AREA XXXXXmm <sup>2</sup>	MILLIMETERS [IN]	
VOLUME XXXXXmm <sup>3</sup>	TOLERANCES UNLESS OTHERWISE NOTED	DESCRIPTION FLAT HINGE
PROPRIETARY ITEM	ALL DIMENSIONS WITHOUT TOLERANCES ARE FOR REFERENCE ONLY.	SIZE SYSTEM A2 NX
EXCEPT FOR USES EXPRESSLY GRANTED IN WRITING, INFORMATION DISCLOSED HEREON IS CONFIDENTIAL AND ALL RIGHTS, PATENT AND OTHERWISE, ARE RESERVED BY SOUTHCO, INC.	PER ASME Y14.5M-2009	DWG NO. J-EH-DHFM-60
		DRAWN BY SBK
		DATE 25 JULY 2024
		SCALE 1:1
		SHEET 1 OF 1