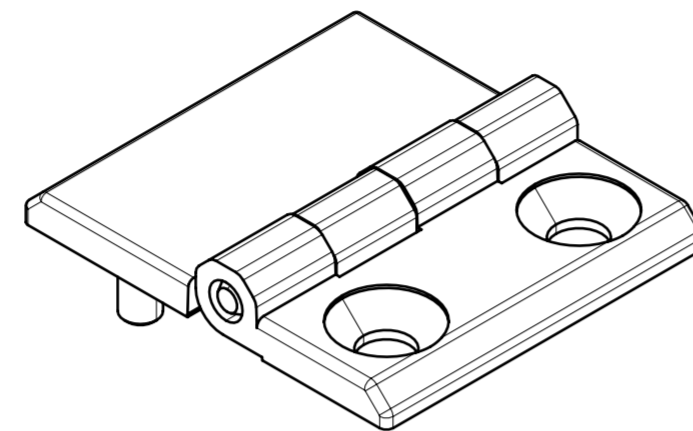
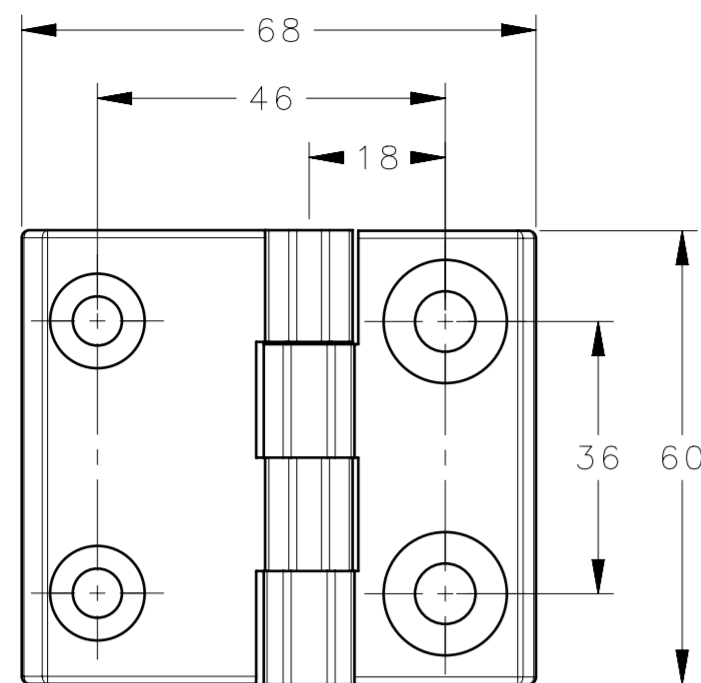
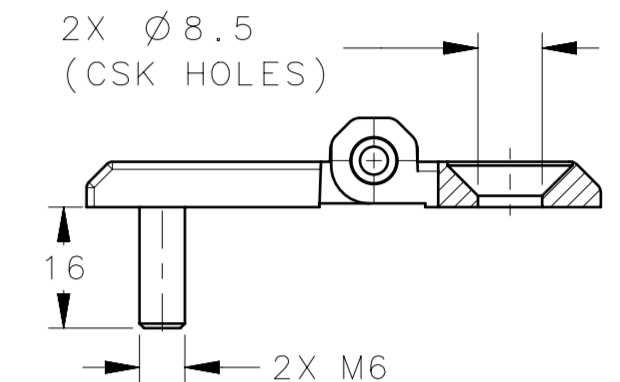
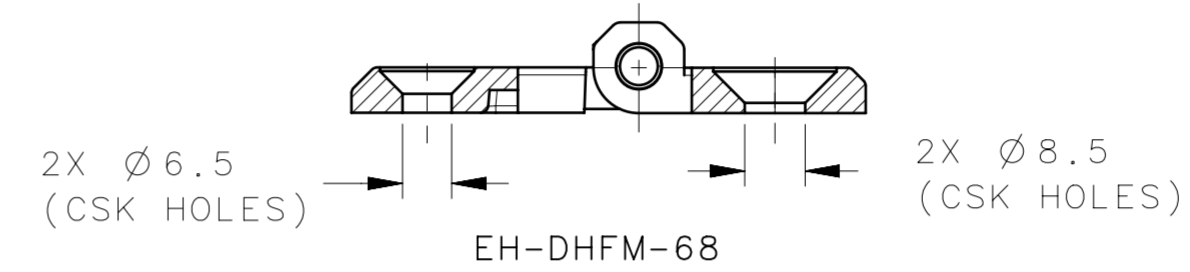


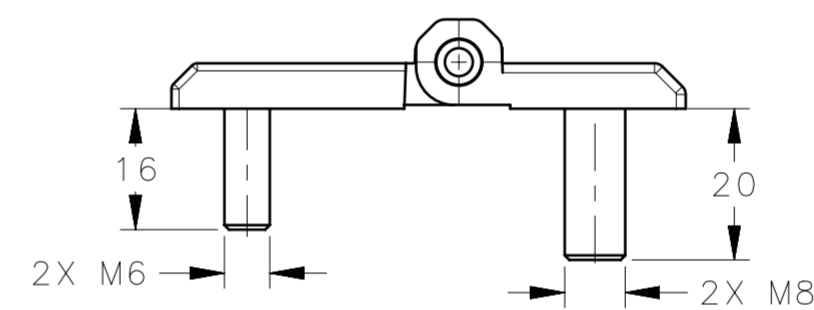
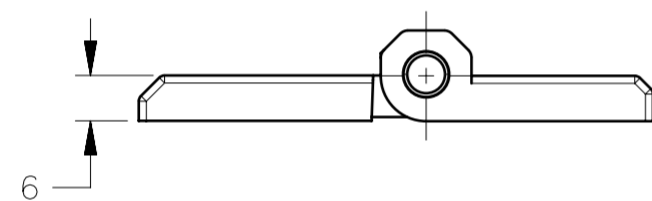
REVISION HISTORY			
REV	DATE	BY	DESCRIPTION
A	22AUG2024	SBK/VK	IPN: 1P-2024-2045



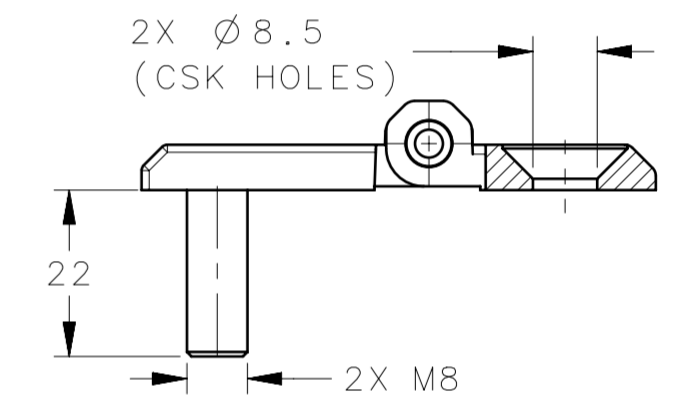
SHOWN PART NO  
EH-DHFM-68-SH-S6



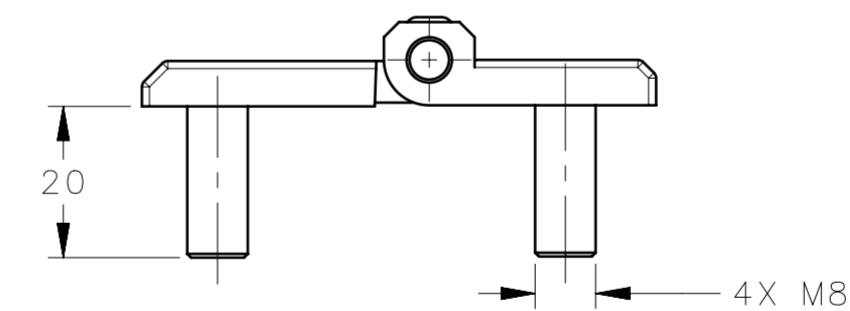
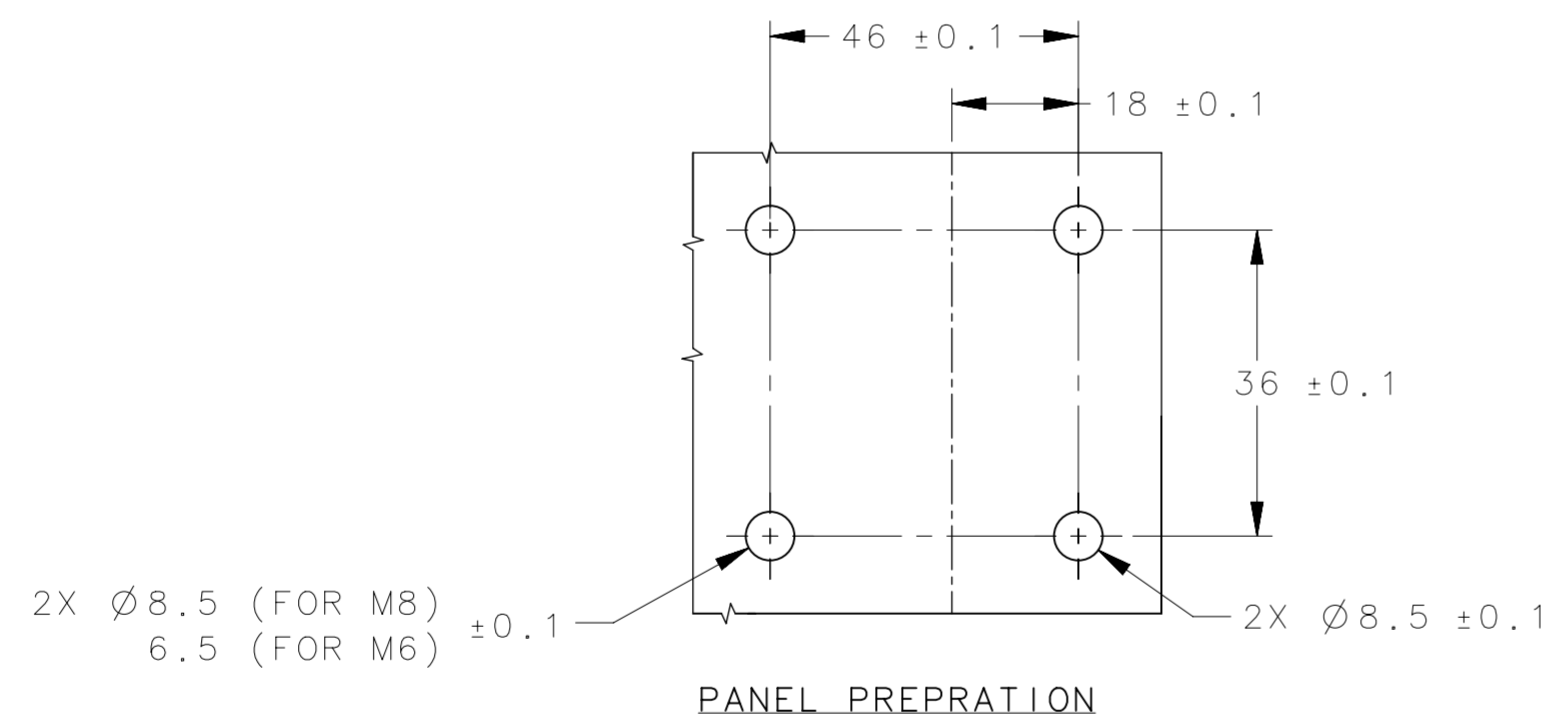
EH-DHFM-68-SH-S6



EH-DHFM-68S



EH-DHFM-68-SH-S8



EH-DHFM-68-S8

- NOTES:-
1. MOUNTING SCREWS NOT SUPPLIED.
  2. OPENING ANGLE 180°.

EH-DHFM-68	FLAT HINGE , (CSK HOLE + CSK HOLE)	ZINC DIE CAST	BLACK POWDER COATED
EH-DHFM-68S	FLAT HINGE , (STUD + STUD)	ZINC DIE CAST	BLACK POWDER COATED
EH-DHFM-68-S8	FLAT HINGE , (STUD + STUD)	ZINC DIE CAST	BLACK POWDER COATED
EH-DHFM-68-SH-S6	FLAT HINGE , (STUD + CSK HOLE)	ZINC DIE CAST	BLACK POWDER COATED
EH-DHFM-68-SH-S8	FLAT HINGE , (STUD + CSK HOLE)	ZINC DIE CAST	BLACK POWDER COATED
SOUTHCO PART NUMBER	DESCRIPTION	MATERIAL	FINISH

CPB NUMBER 2024-0676	THIRD ANGLE PROJECTION		
	MILLIMETERS [IN]		
SURFACE AREA XXXXXmm <sup>2</sup>	TOLERANCES UNLESS OTHERWISE NOTED	DESCRIPTION FLAT HINGE	
VOLUME XXXXXmm <sup>3</sup>	PROPRIETARY ITEM	SIZE A2	SYSTEM NX
EXCEPT FOR USES EXPRESSLY GRANTED IN WRITING, INFORMATION DISCLOSED HEREON IS CONFIDENTIAL AND ALL RIGHTS, PATENT AND OTHERWISE, ARE RESERVED BY SOUTHCO, INC.	PER ASME Y14.5M-2009	DWG NO. J-EH-DHFM-68	
		DRAWN BY SBK	DATE 30JUL2024
		SCALE 1:1	SHEET 1 OF 1