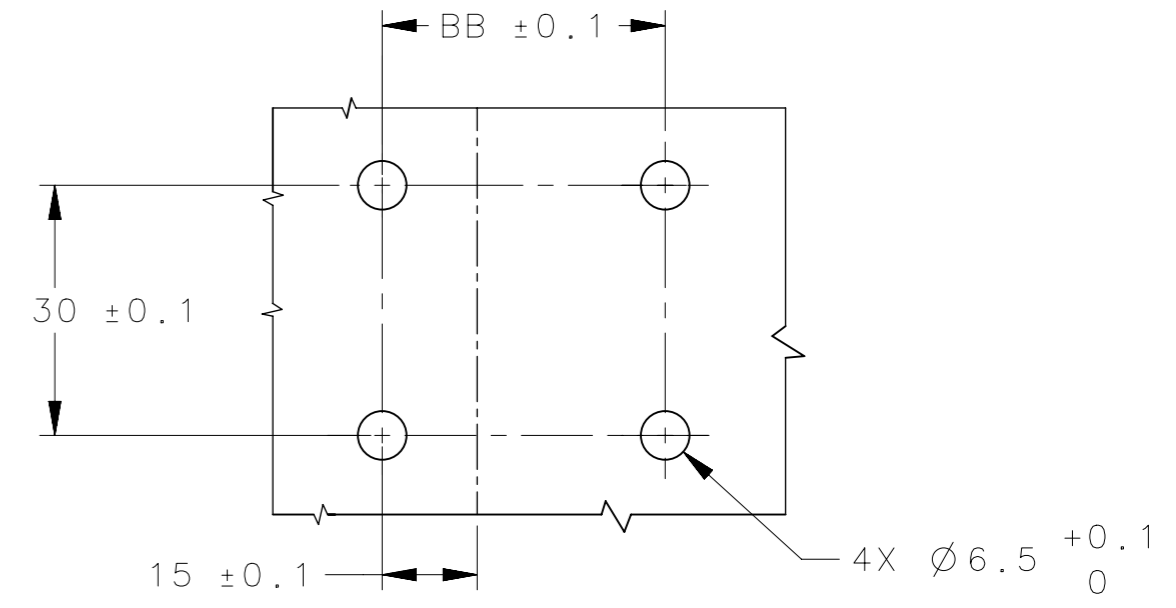
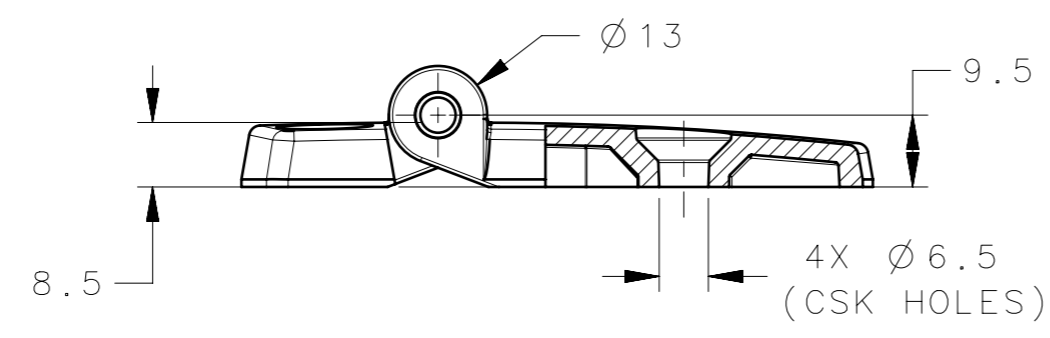
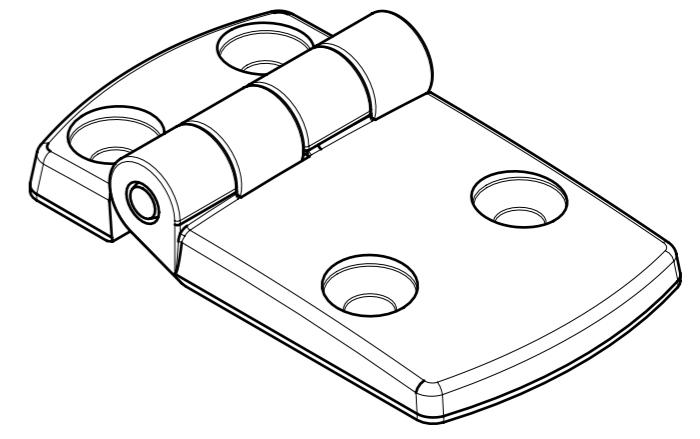
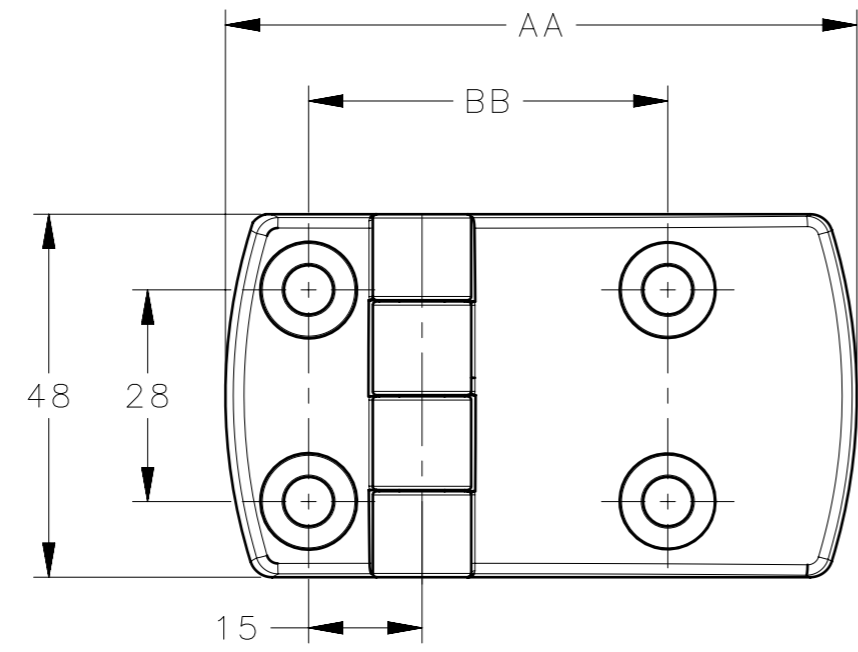


REVISION HISTORY			
REV	DATE	BY	DESCRIPTION
A	14AUG2024	SBK/VK	IPN: IP-2024-1886



PANEL PREPRATION

NOTES:-
 1. MOUNTING SCREWS NOT SUPPLIED.
 2. OPENING ANGLE 180°.

EH-DHIF-51115	BUTT HINGE	POLYAMIDE	BLACK	83.5	47.5
EH-DHIF-5196	BUTT HINGE	POLYAMIDE	BLACK	74.5	42.5
EH-DHIF-5176	BUTT HINGE	POLYAMIDE	BLACK	64.5	37.5
EH-DHIF-5158	BUTT HINGE	POLYAMIDE	BLACK	55.5	32.5
SOUTHCO PART NUMBER	DESCRIPTION	MATERIAL	FINISH	TOTAL LENGTH (AA)	CD LENGTH (BB)

CPB NUMBER 2024-0352	THIRD ANGLE PROJECTION				
SURFACE AREA mm ²	MILLIMETERS [IN]				
VOLUME mm ³	TOLERANCES UNLESS OTHERWISE NOTED	DESCRIPTION BUTT HINGE			
PROPRIETARY ITEM EXCEPT FOR USES EXPRESSLY GRANTED IN WRITING, INFORMATION DISCLOSED HEREON IS CONFIDENTIAL AND ALL RIGHTS, PATENT AND OTHERWISE, ARE RESERVED BY SOUTHCO, INC.	ALL DIMENSIONS WITHOUT TOLERANCES ARE FOR REFERENCE ONLY.	SIZE A3	SYSTEM NX	DWG NO. J-EH-DHIF-51	
PER ASME Y14.5M-2009		DRAWN BY SBK	DATE 02JUL2024	SCALE 1:1	SHEET 1 OF 1