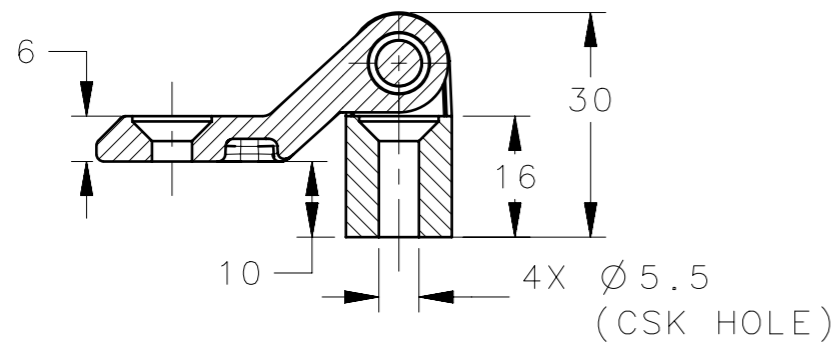
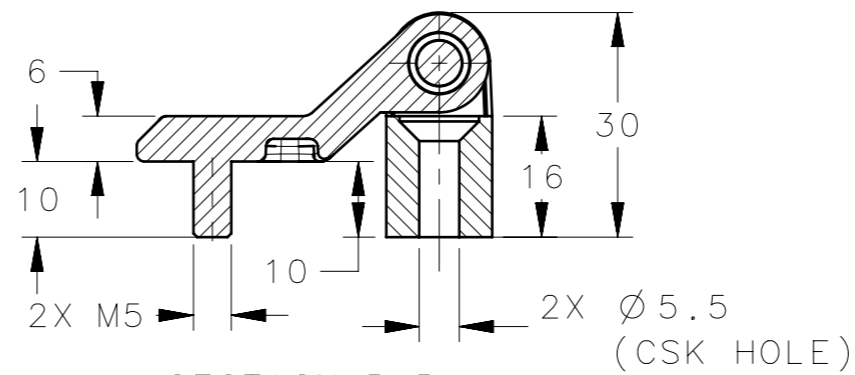


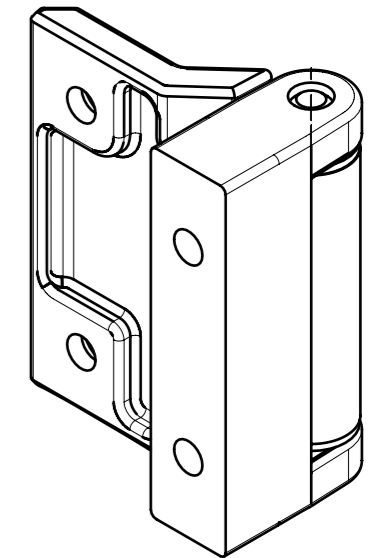
| REVISION HISTORY |           |        |                   |
|------------------|-----------|--------|-------------------|
| REV              | DATE      | BY     | DESCRIPTION       |
| A                | 07AUG2024 | SBK/VK | IPN: IP-2024-1886 |



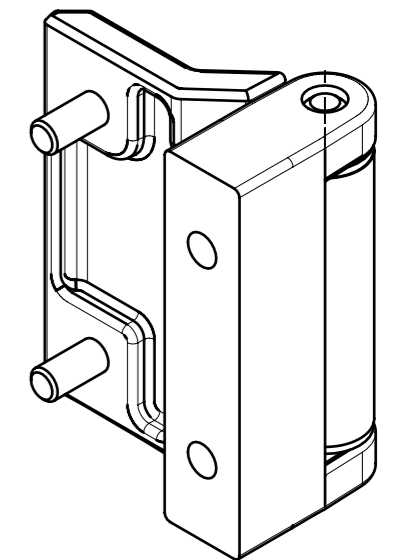
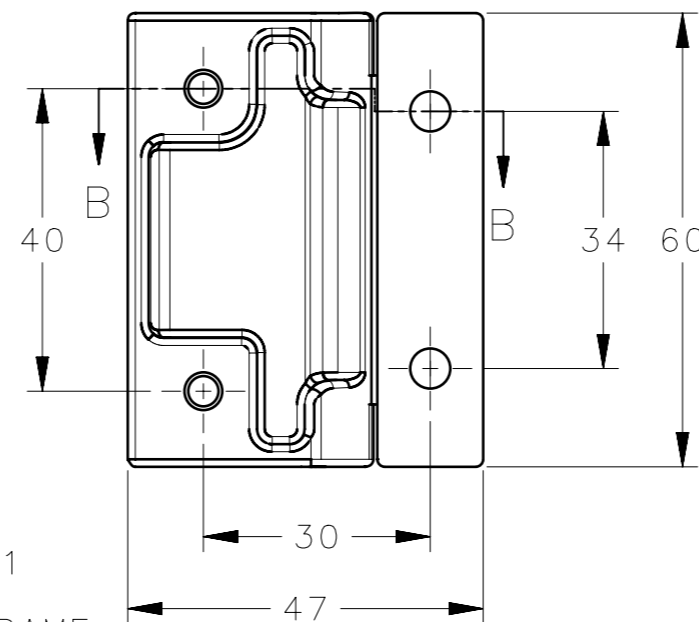
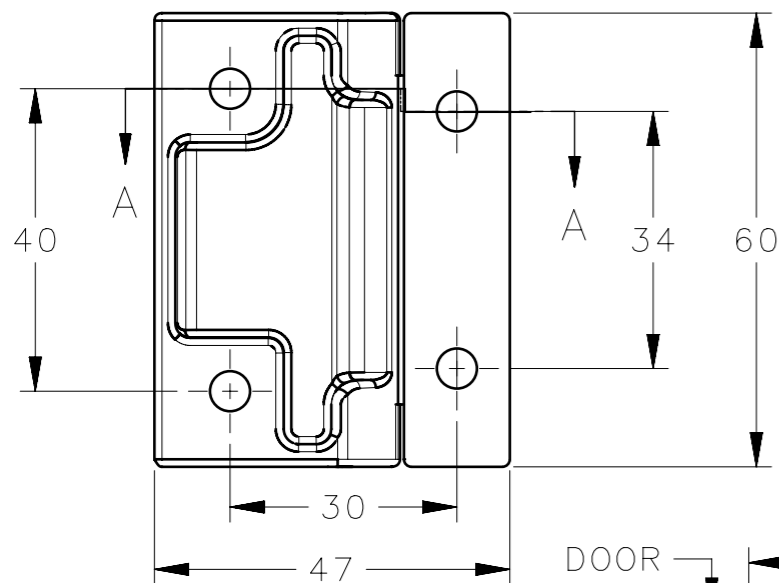
SECTION A-A



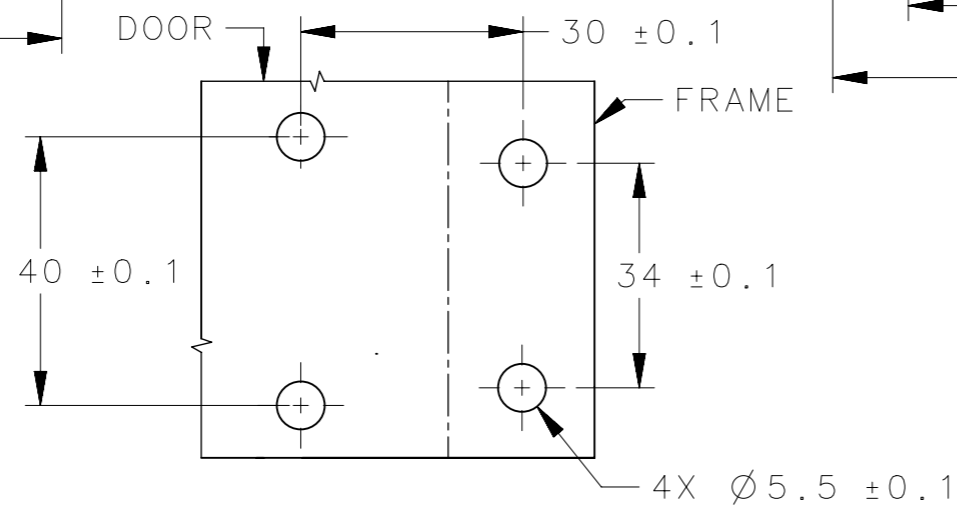
SECTION B-B



EH-DHIZ-4760-H-30



EH-DHIZ-4760-S-30



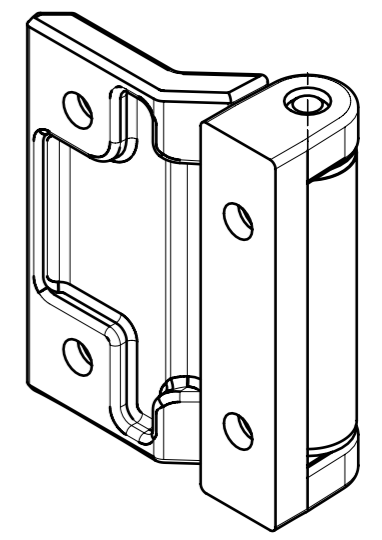
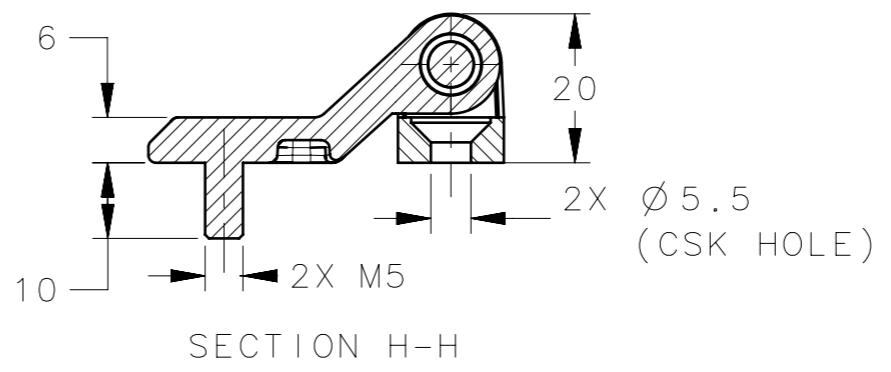
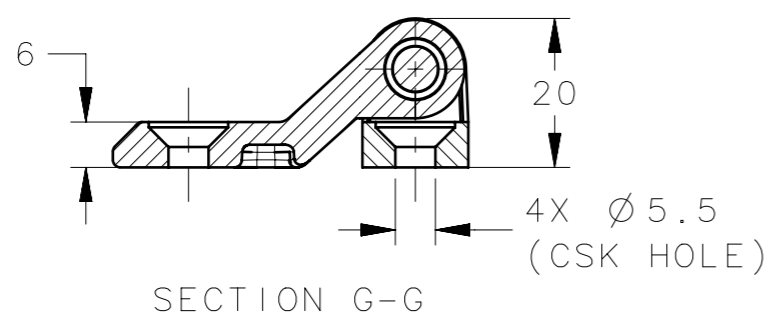
PANEL PREPRATION

NOTES:-

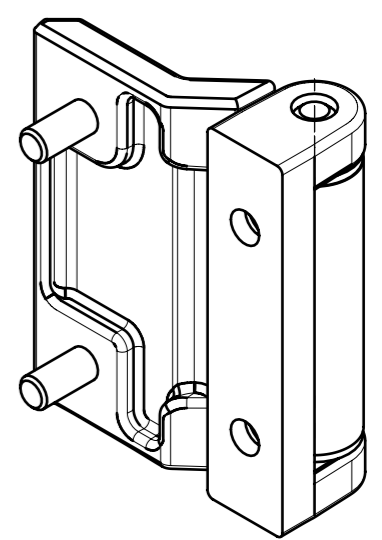
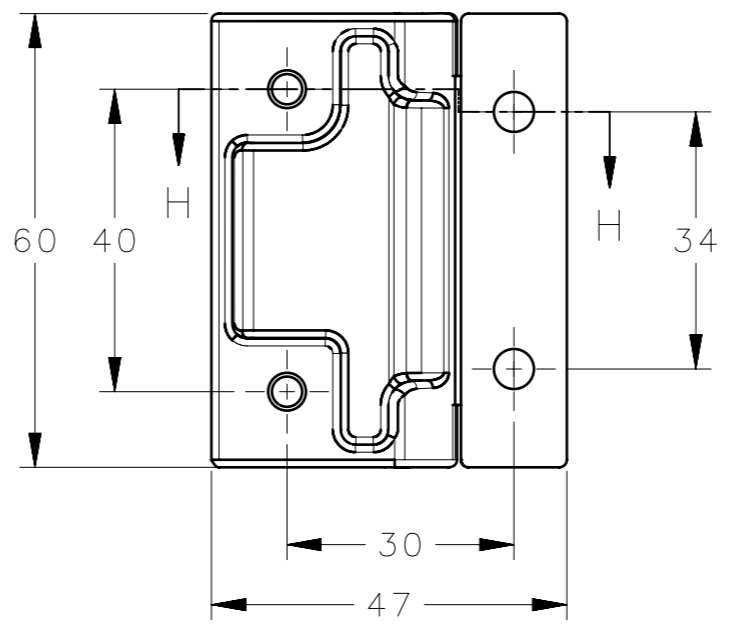
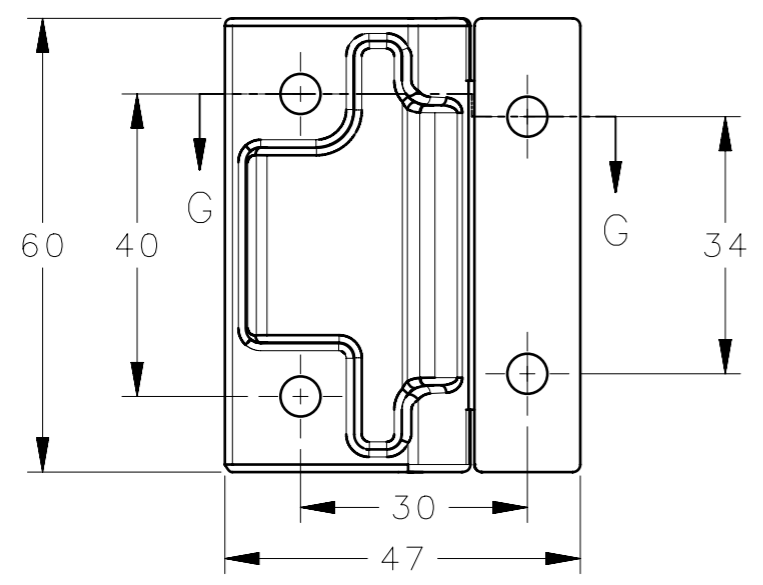
1. MOUNTING SCREWS NOT SUPPLIED.
2. OPENING ANGLE 180°.

|   |   |                                 |                   |                           |
|---|---|---------------------------------|-------------------|---------------------------|
| CPB NUMBER<br>2024-0351   | THIRD ANGLE PROJECTION                                    | <br>CONNECT • CREATE • INNOVATE |                   |                           |
| SURFACE AREA<br>mm <sup>2</sup>   | MILLIMETERS [IN]  |                                 |                   |                           |
| VOLUME<br>mm <sup>3</sup>   | TOLERANCES UNLESS OTHERWISE NOTED                         | DESCRIPTION<br>STRAP HINGE      |                   |                           |
| PROPRIETARY ITEM<br><small>EXCEPT FOR USES EXPRESSLY GRANTED IN WRITING, INFORMATION DISCLOSED HEREON IS CONFIDENTIAL AND ALL RIGHTS, PATENT AND OTHERWISE, ARE RESERVED BY SOUTHCO, INC.</small> | ALL DIMENSIONS WITHOUT TOLERANCES ARE FOR REFERENCE ONLY. | SIZE<br>A3                      | SYSTEM<br>NX      | DWG NO.<br>J-EH-DHIZ-4760 |
| PER ASME Y14.5M-2009  |   | DRAWN BY<br>SBK                 | DATE<br>11JUN2024 | SCALE<br>1:1              |
|   |   |                                 |                   | SHEET<br>1 OF 2           |

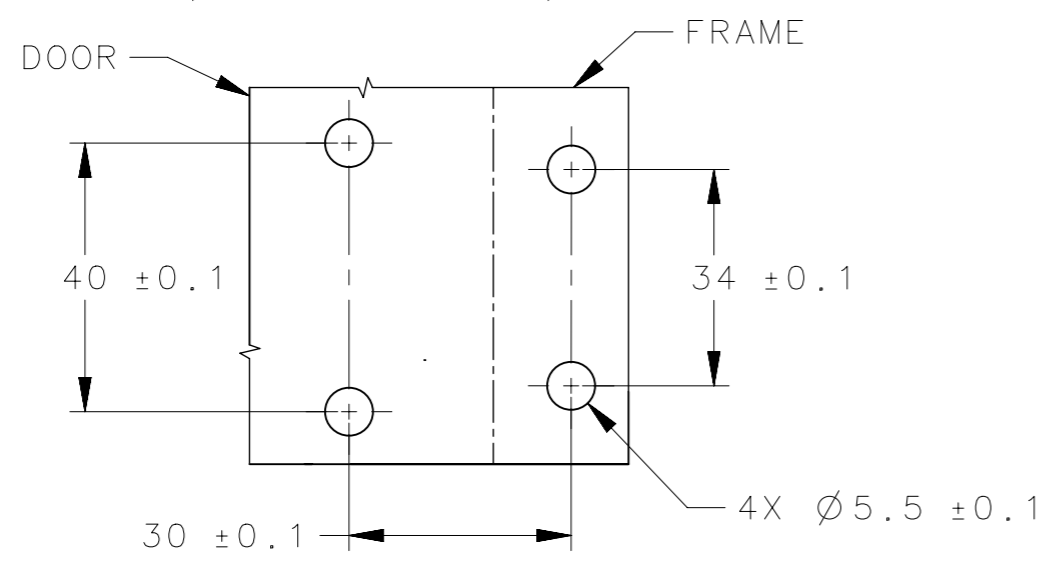
| REVISION HISTORY |           |        |                   |
|------------------|-----------|--------|-------------------|
| REV              | DATE      | BY     | DESCRIPTION       |
| A                | 07AUG2024 | SBK/VK | IPN: IP-2024-1886 |



EH-DHIZ-4760-H-20




EH-DHIZ-4760-S-20



PANEL PREPRATION

NOTES:-  
 1. MOUNTING SCREWS NOT SUPPLIED.  
 2. OPENING ANGLE 180°.

|  |   |   |                     |                           |
|--|---|---|---------------------|---------------------------|
| EH-DHIZ-4760-H-30  | STRAP HINGE   | ZINC DIE CAST   | BLACK POWDER COATED | M5 CSK HOLE               |
| EH-DHIZ-4760-S-30  | STRAP HINGE   | ZINC DIE CAST   | BLACK POWDER COATED | M5 STUD AND CSK HOLE      |
| EH-DHIZ-4760-H-20  | STRAP HINGE   | ZINC DIE CAST   | BLACK POWDER COATED | M5 CSK HOLE               |
| EH-DHIZ-4760-S-20  | STRAP HINGE   | ZINC DIE CAST   | BLACK POWDER COATED | M5 STUD AND CSK HOLE      |
| SOUTHCO PART NUMBER  | DESCRIPTION   | MATERIAL  | FINISH              | TYPE                      |
| CPB NUMBER<br>2024-0351  | THIRD ANGLE PROJECTION                                    |  |                     |                           |
| SURFACE AREA<br>mm <sup>2</sup>  | MILLIMETERS [IN]  |   |                     |                           |
| VOLUME<br>mm <sup>3</sup>  | TOLERANCES UNLESS OTHERWISE NOTED                         | DESCRIPTION<br>STRAP HINGE  |                     |                           |
| PROPRIETARY ITEM   | ALL DIMENSIONS WITHOUT TOLERANCES ARE FOR REFERENCE ONLY. | SIZE<br>A3  | SYSTEM<br>NX        | DWG NO.<br>J-EH-DHIZ-4760 |
| EXCEPT FOR USES EXPRESSLY GRANTED IN WRITING, INFORMATION DISCLOSED HEREON IS CONFIDENTIAL AND ALL RIGHTS, PATENT AND OTHERWISE, ARE RESERVED BY SOUTHCO, INC. | PER ASME Y14.5M-2009                                      | DRAWN BY<br>SBK   | DATE<br>11JUN2024   | SCALE<br>1:1              |
|  |   | SHEET   |                     | 2 OF 2                    |