

southco®

PROPRIETARY ITEM - EXCEPT FOR USES EXPRESSLY GRANTED IN WRITING INFORMATION DISCLOSED HEREON IS CONFIDENTIAL AND ALL RIGHTS PATENT AND OTHERWISE ARE RESERVED BY SOUTHCO, INC.

ACTUATOR ASSEMBLY

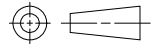
DATE	DRAWN	CHKD	SCALE	DRAWING NUMBER
19NOV2009	ACH	MJS	.5:1	J-EM-99-170


REV	DATE	DRAWN/CHKD	DESCRIPTION	PART NUMBER	MATERIAL	FINISH			
A	19NOV2009	ACH/MJS	PRN: P2009-1209	EM-99-170					

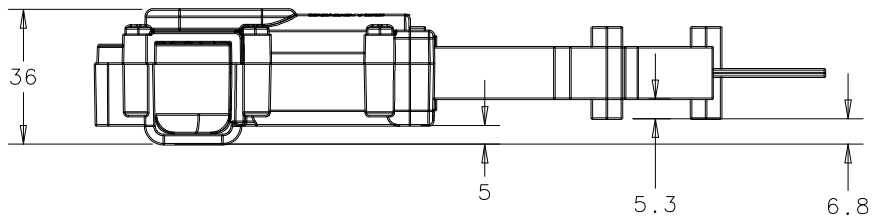
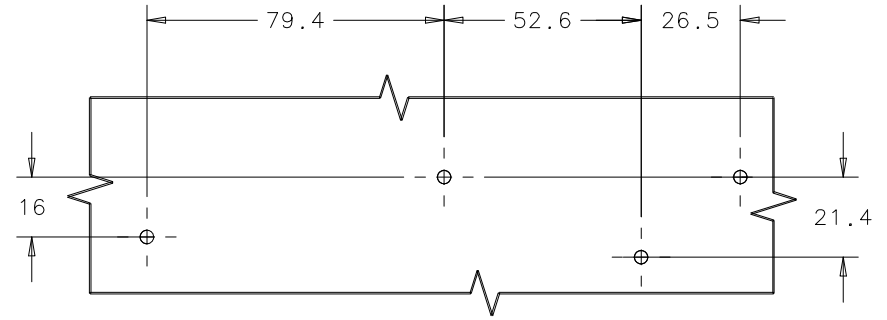
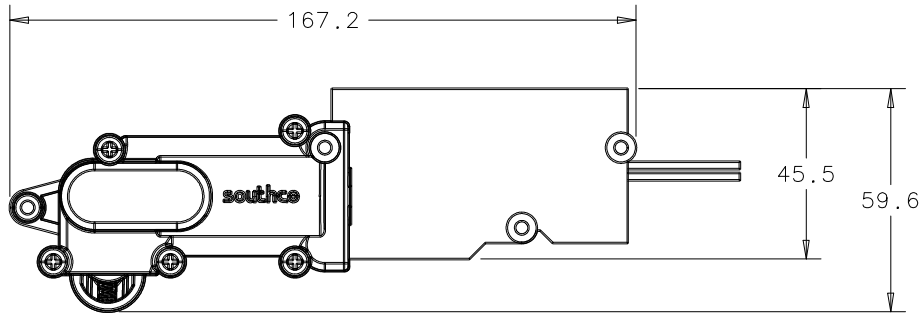
MILLIMETERS

TOLERANCES UNLESS OTHERWISE NOTED

UP TO 0.5	±0.05
OVER 0.5 UP TO 6	±0.1
OVER 6 UP TO 30	±0.2
OVER 30	±0.3
ANGLES	±1°


 THIRD ANGLE PROJECTION


 A4 PAPER SIZE



southco

PROPRIETARY ITEM - EXCEPT FOR USES EXPRESSLY GRANTED IN WRITING INFORMATION DISCLOSED HEREON IS CONFIDENTIAL AND ALL RIGHTS PATENT AND OTHERWISE ARE RESERVED BY SOUTHCO, INC.

ROTARY PADDLE ASSEMBLY WITH ACTUATOR

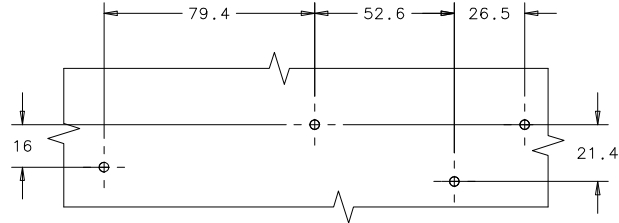
DATE	DRAWN	CHKD	SCALE	DRAWING NUMBER
02NOV2009	ACH	MJS	.5:1	J-R4-99-330

REV	DATE	DRAWN/CHKD	DESCRIPTION	ITEM	PART NUMBER	MATERIAL	FINISH
A	20AUG2009	ACH/MJS	PRN: P2009-1209	ASSEMBLY	R4-99-308-50	--	--
				ACTUATOR SUBASSEMBLY	--	--	--
				ROTARY SUBASSEMBLY	--	--	--
				CUP	--	NYLON	BLACK
				PADDLE	--	ZAMAC 3	BLACK POWDER COAT
				ROCKER ARM	--	STEEL	ZINC PLATE, BRIGHT CHROMATE PLUS SEALER
				SLIDE	--	STEEL	ZINC PLATE, BRIGHT CHROMATE PLUS SEALER
				LOCKPLUG CAM ADAPTER	--	POM	BLACK
				PADDLE ARM	--	ZAMAC 3	OLIVE CHROMATE
				PADDLE ARM CAP	--	ZAMAC 3	OLIVE CHROMATE
				O-RING	--	NITRILE	BLACK
				O-RING	--	NITRILE	BLACK
				COMPRESSION SPRING	--	STAINLESS STEEL	PASSIVATED
				TORSION SPRING	--	STAINLESS STEEL	PASSIVATED
				M5 X 10 SCREW	--	1010 STEEL	ZINC PLATE, BRIGHT CHROMATE PLUS SEALER
				M5 X 14 SCREW	--	1010 STEEL	ZINC PLATE, BRIGHT CHROMATE PLUS SEALER
				M6 X 12 SCREW	--	1010 STEEL	ZINC PLATE, BRIGHT CHROMATE PLUS SEALER
				RETAINER	--	POM	BLACK
				BUMPER	--	EPDM	BLACK
				GASKET	--	FOAM	BLACK
				LOCK PLUG	--	ZAMAK	CHROMATE FINISH
				NUT	--	STEEL	ZINC PLATE, BRIGHT CHROMATE PLUS SEALER
				KEY(2)	--	BRASS	NICKEL PLATED

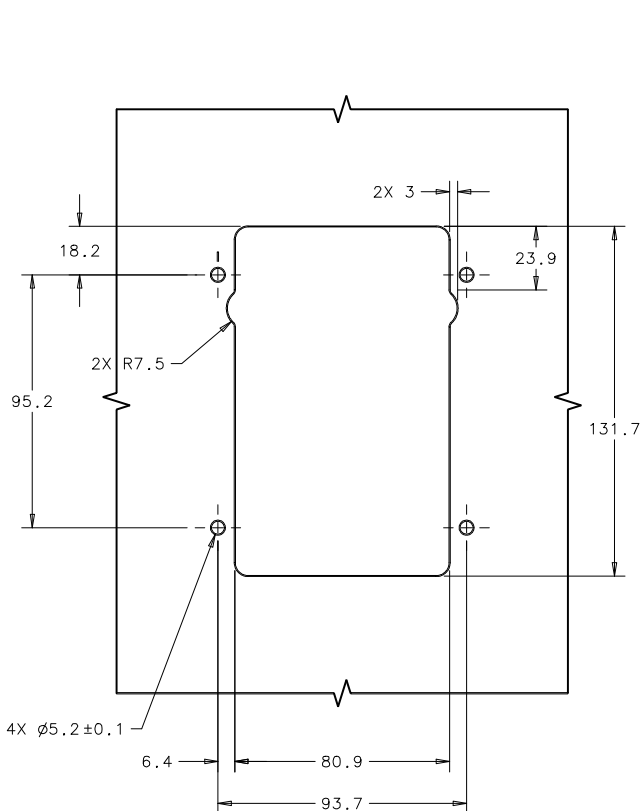
MILLIMETERS
 TOLERANCES UNLESS OTHERWISE NOTED
 UP TO 0.5 ±0.05
 OVER 0.5 UP TO 6 ±0.1
 OVER 6 UP TO 30 ±0.2
 OVER 30 ±0.3
 ANGLES ±1°

THIRD ANGLE PROJECTION

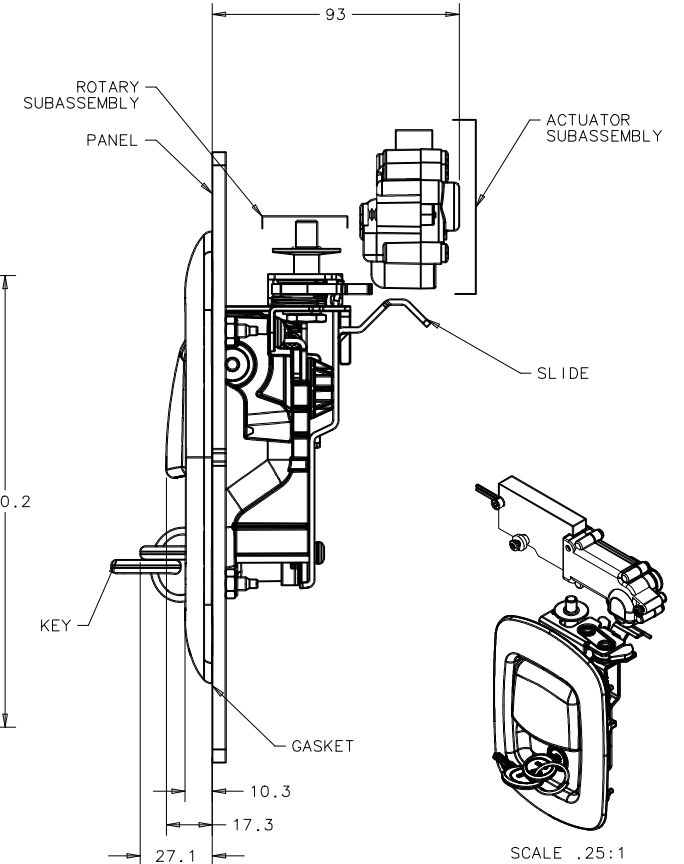
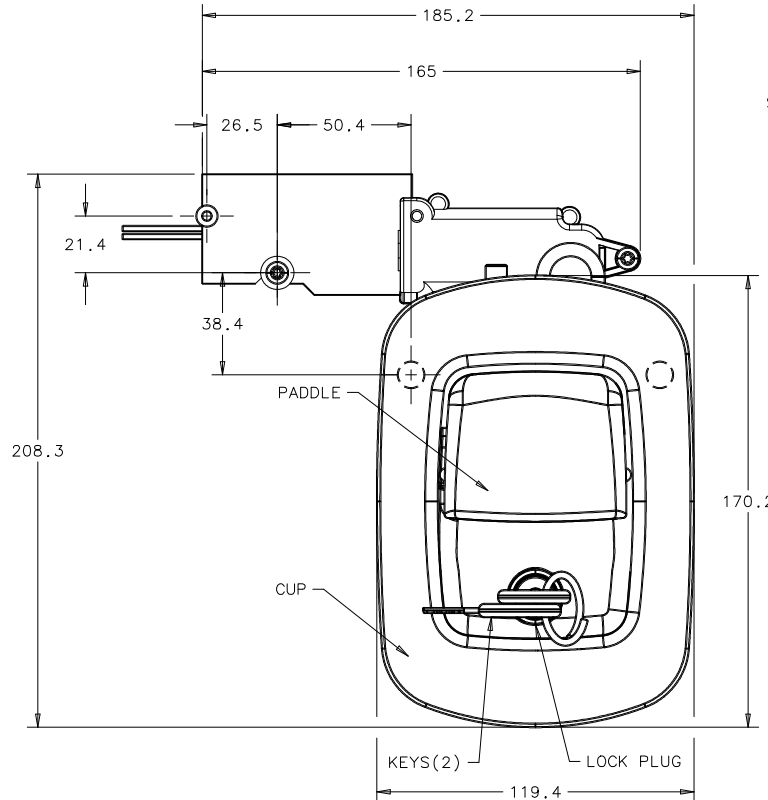
A3 PAPER SIZE



ACUTATOR PANEL PREPARATION



LATCH PANEL PREPARATION



SCALE .25:1