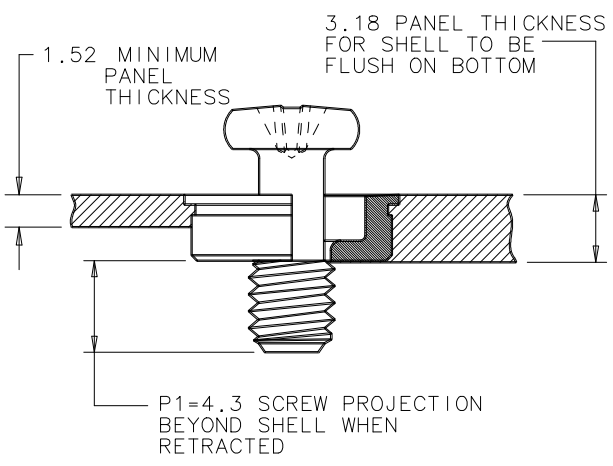


PART NUMBER	SCREW LENGTH *L*	*P2* DIMENSION
F5-M4-P2	8.6	5.6
F5-M4-P4	9.6	6.6
F5-M4-P6	10.6	7.6
F5-M4-P8	11.6	8.6

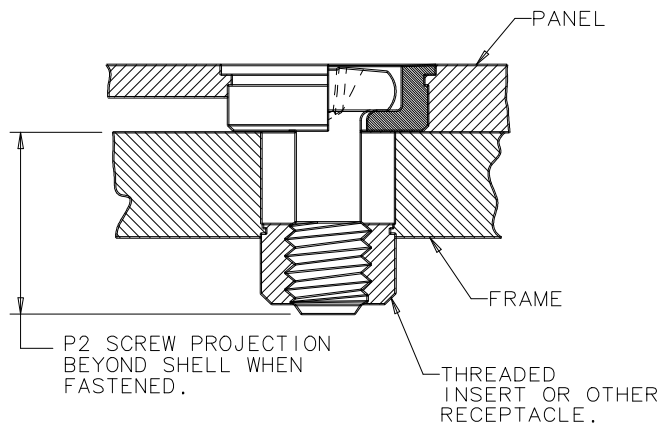
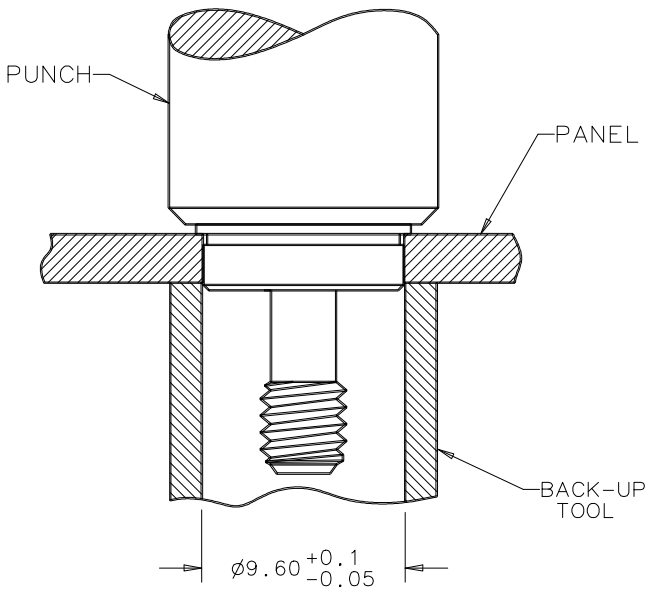
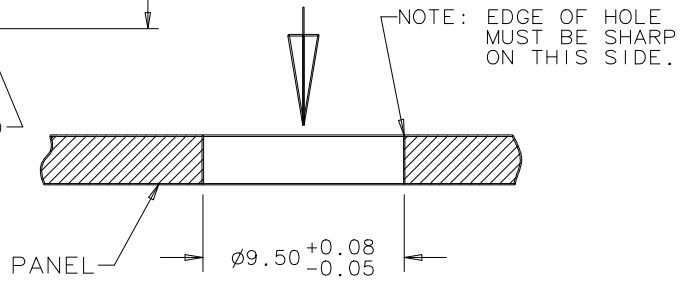
MATERIAL & FINISH:  
SCREW : 430 STAINLESS STEEL  
PASSIVATED.  
SHELL : 303 STAINLESS STEEL  
PASSIVATED

**NOTE:** SHIPPED ASSEMBLED, BULK.  
FOR ASSEMBLIES PACKAGED 50 PER  
BOX, ADD SUFFIX "-P" TO THE  
PART NUMBER.

A GENERAL GUIDE:  
FOR USE IN MOST ALUMINUMS OR IN  
LOW-CARBON STEELS THAT ARE 1/4 HARD  
OR SOFTER.



SCREW  
RETRACTED



SCREW  
FASTENED

**NOTE:** SCREWS WILL  
RADIALLY FLOAT  
0.6 TOTAL MOVEMENT

ALL DIMENSIONS ARE IN MILLIMETERS.