

SCALE = 3:1

A GENERAL GUIDE:  
FOR USE IN MOST ALUMINUMS OR IN  
LOW-CARBON STEELS THAT ARE 1/4  
HARD OR SOFTER.

MATERIAL & FINISH:

SCREW: 303 STAINLESS STEEL, PASSIVATED.  
SHELL: 303 STAINLESS STEEL, PASSIVATED.

NOTE: SHIPPED ASSEMBLED, BULK.

FOR ASSEMBLIES PACKAGED 50 PER  
BOX, ADD SUFFIX "-P" TO THE  
PART NUMBER.

THREAD SIZE	SCREW DIMENSIONS				SLOT		*L SCREW LENGTH	PART NUMBERS
	ØA	ØB	C	ØD	WIDTH	DEPTH		

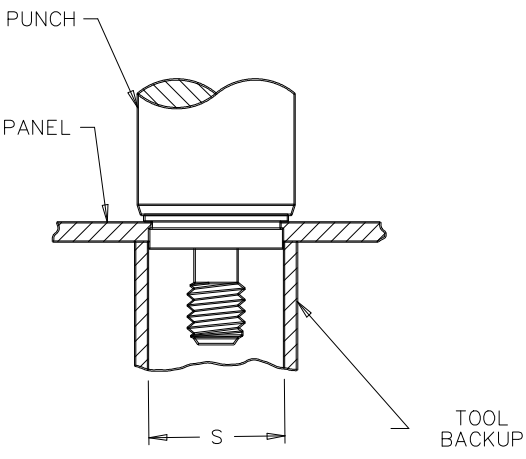
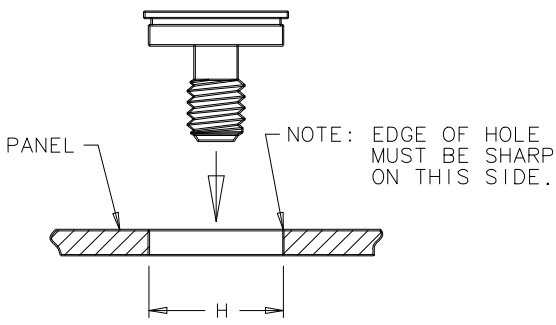
INSTALLATION DIMENSIONS					
ØH	M	F	P1	P2	ØS

METRIC (ALL DIMENSIONS ARE IN MILLIMETERS.)

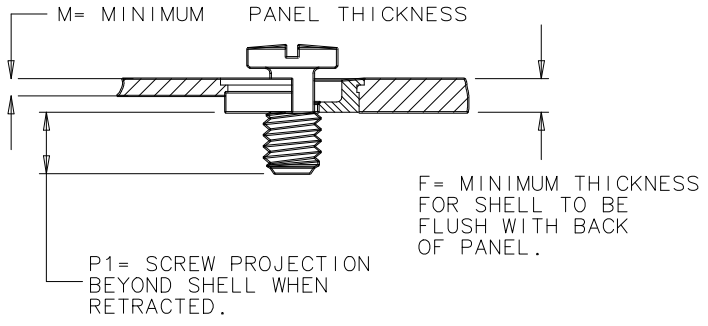
M3 x 0.5	7.1	6.45	1.70	4.0	3.8	0.89	0.63	5.8	F5-90-402-20
								7.9	F5-90-406-20
M4 x 0.7	10.1	9.45	2.34	6.4	5.1	1.14	1.14	8.9	F5-M40-14
								9.9	F5-M40-16
								10.9	F5-M40-18

6.50 <sup>+0.08</sup> <sub>-0.00</sub>	1.27	1.78	3.8	4.1	6.60 <sup>+0.10</sup> <sub>-0.05</sub>
				6.1	
9.50 <sup>+0.08</sup> <sub>-0.00</sub>	1.52	2.41	5.1	6.6	9.60 <sup>+0.10</sup> <sub>-0.05</sub>
				7.6	
				8.6	

**INSTALLATION**



**SCREW RETRACTED**



NOTE: SCREWS WILL RADIALLY  
FLOAT 0.6 mm TOTAL MOVEMENT.

**FASTENED**

