

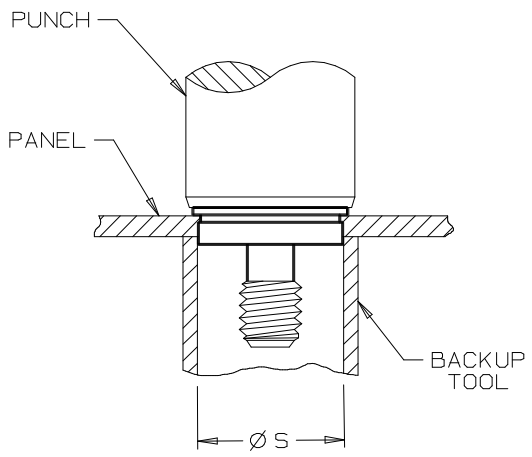
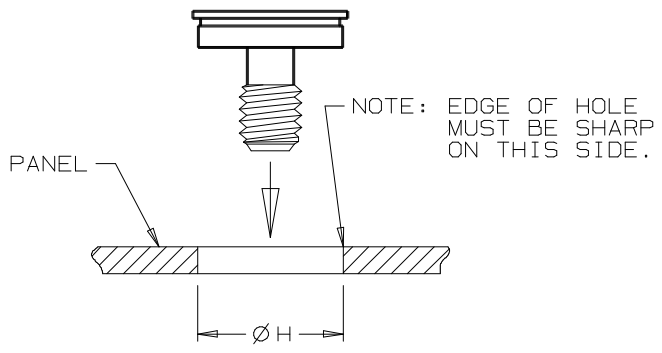
A GENERAL GUIDE:
 FOR USE IN MOST ALUMINUMS OR IN LOW-CARBON STEELS THAT ARE 1/4 HARD OR SOFTER.

MATERIAL & FINISH:
 SCREW: 303 STAINLESS STEEL, PASSIVATED.
 SHELL: 303 STAINLESS STEEL, PASSIVATED.

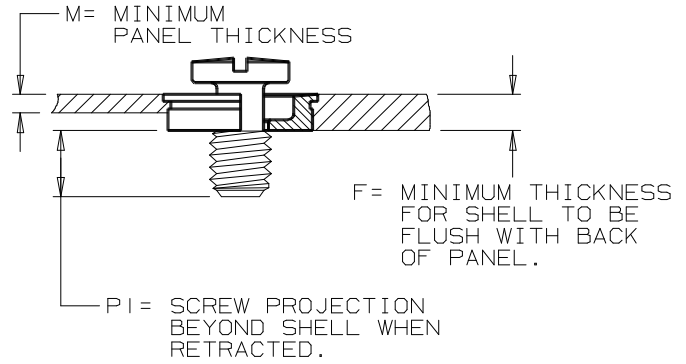
NOTE: SHIPPED ASSEMBLED, BULK.
 FOR ASSEMBLIES PACKAGED 50 PER BOX, ADD SUFFIX "-P" TO THE PART NUMBER.

THREAD SIZE	SCREW DIMENSIONS					SLOT		"L" SCREW LENGTH	PART NUMBERS	INSTALLATION DIMENSIONS					
	ØA	ØB	C	ØD	T	WIDTH	DEPTH			ØH	M	F	P1	P2	ØS
ENGLISH (ALL DIMENSIONS ARE IN INCHES.)															
UNC 4-40	.28	.254	.067	.16	.15	.035	.025	.23	F5-60-402-20	.257 ^{+.002} _{-.001}	.050	.070	.15	.16	.260 ^{+.004} _{-.002}
								.31	F5-60-406-20					.24	
UNC 6-32	.32	.293	.082	.19	.15	.039	.035	.25	F5-60-602-20	.295 ^{+.003} _{-.000}	.055	.085	.15	.17	.299 ^{+.004} _{-.002}
								.33	F5-60-606-20					.25	
								.37	F5-60-608-20					.29	
UNC 8-32	.40	.373	.092	.25	.20	.045	.045	.35	F5-832-14	.375 ^{+.003} _{-.000}	.060	.095	.20	.26	.379 ^{+.004} _{-.002}
								.39	F5-832-16					.30	
								.43	F5-832-18					.34	

INSTALLATION



SCREW RETRACTED



NOTE: SCREWS WILL RADIALLY FLOAT .02 TOTAL MOVEMENT.

FASTENED

