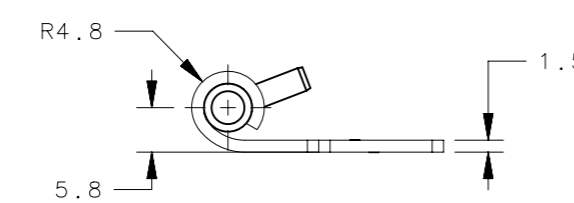
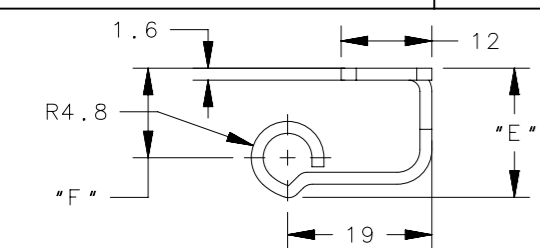
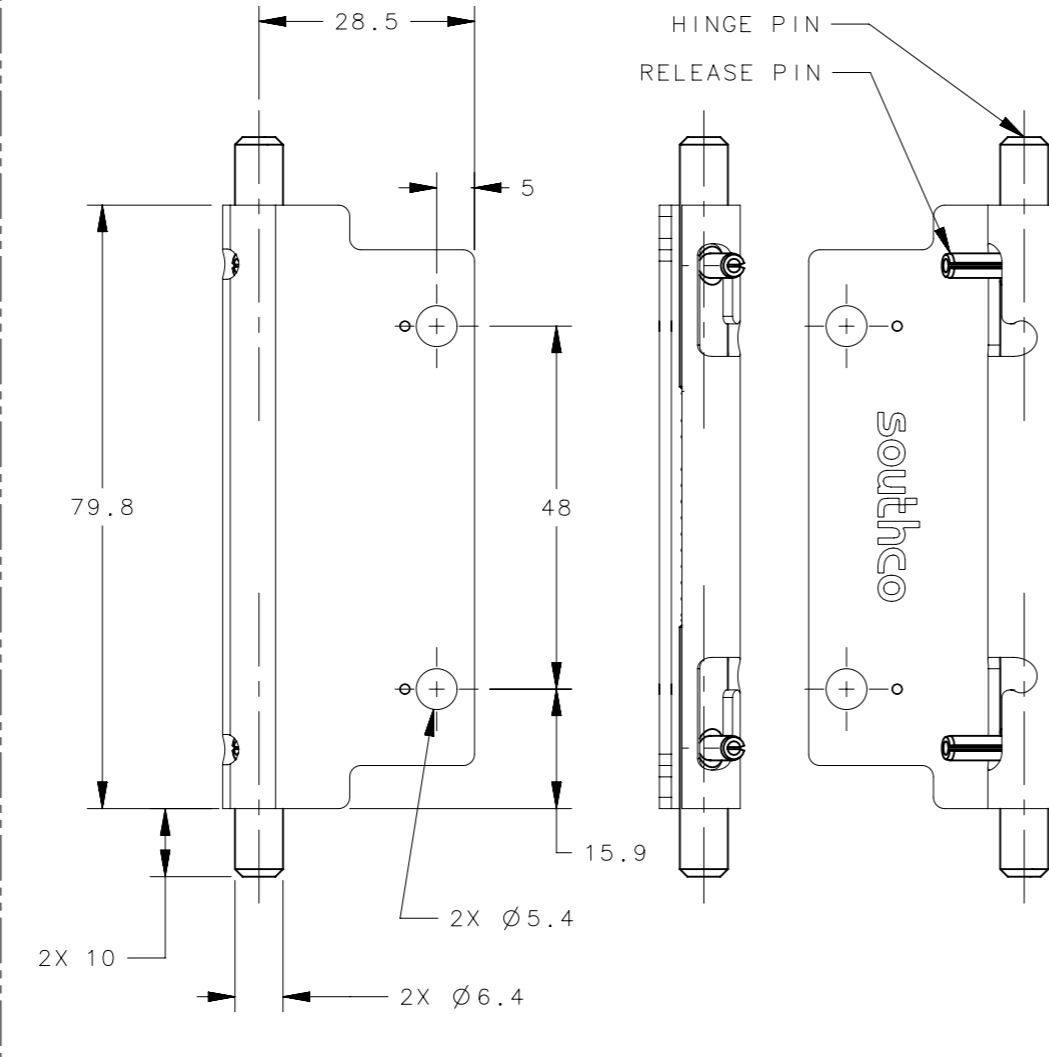
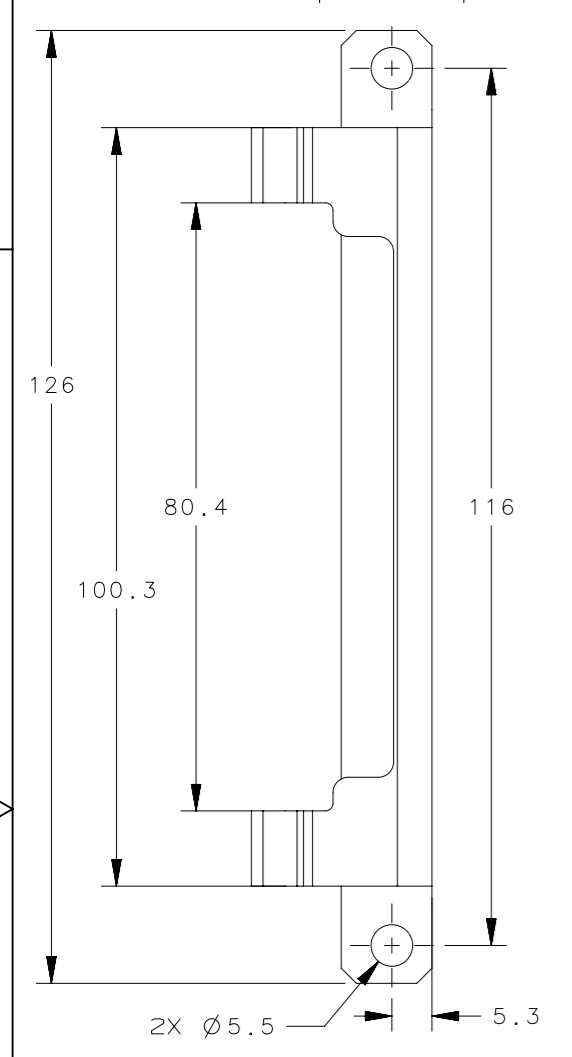
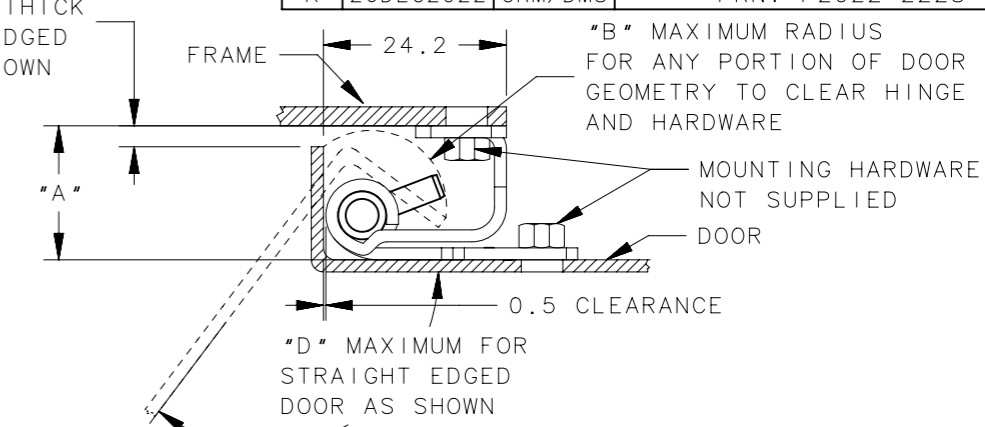


REVISION HISTORY			
REV	DATE	BY	DESCRIPTION
R	26DEC2022	CRM/DMS	PRN: P2022-2228



C MINIMUM GAP FOR 1.5MM THICK STRAIGHT EDGED DOOR AS SHOWN



HINGES MAY BE FASTENED TO DOOR AND FRAME BY:
 A.M5 OR No. 10 HARDWARE -FOR MOUNTING FRAME LEAF. MACHINE SCREWS ARE RECOMMENDED. HEX JAM NUTS MAY BE USED, BUT CLEARANCE WITH DOOR EDGE SHOULD BE VERIFIED.
 B.WELDING.

Ø 5.5±0.1 HOLES FOR MOUNTING HARDWARE LOCATION ON FRAME

34 ±0.2

48 ±0.2

116 ±0.2

Ø 5.5±0.1 HOLES FOR MOUNTING HARDWARE LOCATION ON DOOR

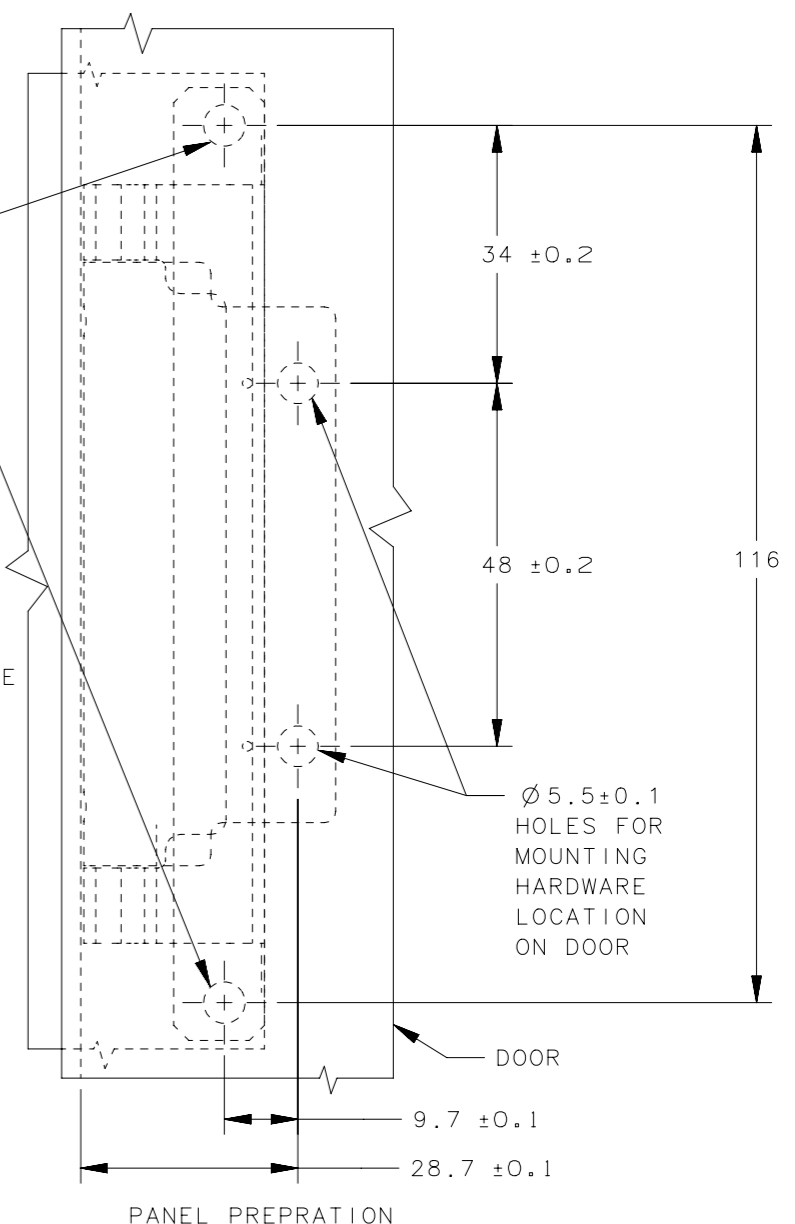
FRAME LEAF

DOOR LEAF

F6-3	F6-3-1	F6-903	F6-903-1	F6-940	F6-940-1	24	15.3	4.4	118°	23.4	18.2
F6-2	F6-2-1	F6-902	F6-902-1	F6-940	F6-940-1	20.6	12.7	3.9	125°	20	14.8
F6-1	F6-1-1	F6-901	F6-901-1	F6-940	F6-940-1	17.6	10.9	3.2	132°	17	11.8
STEEL	STAINLESS STEEL	STEEL	STAINLESS STEEL	STEEL	STAINLESS STEEL	"A"	"B"	"C"	"D"	"E"	"F"
ASSEMBLY PART NUMBER (SEE NOTE 3)		FRAME PART NUMBER (SEE NOTE 4)		DOOR LEAF PART NUMBER (SEE NOTE 4)							

NOTE:

- TWO HINGE MINIMUM REQUIRED ON A DOOR.
- MATERIALS AND FINISHES (STEEL VERSION):
 - FRAME LEAF AND DOOR LEAF: 1010 STEEL, ZINC PLATE, CHROMATE DIP
 - HINGE PINS: STEEL, ZINC PLATE, CHROMATE DIP.
 - RELEASE PINS: 420 STAINLESS STEEL, PASSIVATED.
 - INTERNAL SPRING: TYPE 302 STAINLESS STEEL, PASSIVATED.
- MATERIALS AND FINISHES (STAINLESS STEEL VERSION):
 - FRAME LEAF AND DOOR LEAF: TYPE 304 STAINLESS STEEL, PASSIVATED.
 - HINGE PINS: TYPE 303 STAINLESS STEEL, PASSIVATED PLUS CLEAR ORGANIC COATING.
 - RELEASE PINS: 420 STAINLESS STEEL, PASSIVATED.
 - INTERNAL SPRING: TYPE 302 STAINLESS STEEL, PASSIVATED.
- THESE PART NUMBERS SPECIFY ASSEMBLIES PACKAGED 1 FRAME LEAF AND 1 DOOR LEAF PER BAG.
- THESE PART NUMBERS SPECIFY BULK PACKAGED PARTS FOR ONE COMPLETE ASSEMBLY, ORDER 1 FRAME LEAF AND 1 DOOR LEAF.



PANEL PREPARATION

THIRD ANGLE PROJECTION			 CONNECT · CREATE · INNOVATE	
TOLERANCES UNLESS OTHERWISE NOTED		DESCRIPTION		
ALL DIMENSIONS WITHOUT TOLERANCES ARE FOR REFERENCE ONLY.		F6 CONCEALED HINGE ASSEMBLY		
PROPRIETARY ITEM	PER ASME Y14.5M-1994	SIZE A3	SYSTEM NX	DWG NO. J-F6-1
EXCEPT FOR USES EXPRESSLY GRANTED IN WRITING, INFORMATION DISCLOSED HEREON IS CONFIDENTIAL AND ALL RIGHTS, PATENT AND OTHERWISE, ARE RESERVED BY SOUTHCO, INC.	PER ASME Y14.5M-1994	DRAWN BY RES	DATE 21MAR1994	SCALE 1:1 SHEET 1 OF 1