

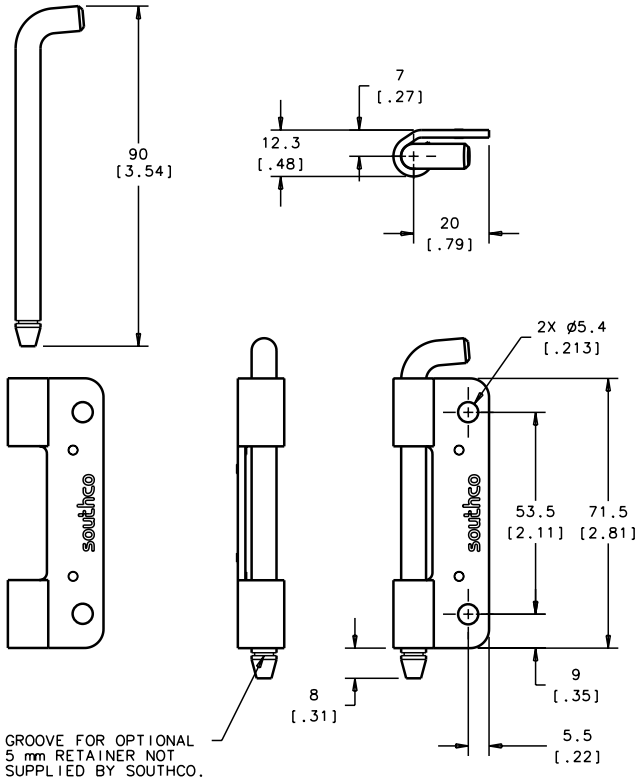
NOTES:

A. REFER TO DRAWING No. J-F6-2-2 OR J-F6-2-2-E FOR FULL INSTALLATION INSTRUCTIONS.

southco				PROPRIETARY ITEM - EXCEPT FOR USES EXPRESSLY GRANTED IN WRITING INFORMATION DISCLOSED HEREON IS CONFIDENTIAL AND ALL RIGHTS PATENT AND OTHERWISE ARE RESERVED BY SOUTHCO, INC.	F6 CONCEALED REMOVABLE HINGE DOOR LEAF SUB-ASSEMBLIES				DATE	DRAWN	CHKD	SCALE	DRAWING NUMBER
								07OCT99	RJB			0.75:1	J-F6-2-1
REV	DATE	DRAWN/CHKD	DESCRIPTION	LEAF SUB-ASSEMBLY PART NUMBERS				RETRACTABLE PIN		MATERIAL & FINISH			
A	03OCT2005	MDY/AJH	PRN: P2005-1355	REMOVABLE PIN TYPE									
B	14MAR2007	JHV/AJH	PRN: P2007-0356		TYPE A	TYPE B							
				F6-946	----			----		STEEL, ZINC PL, BRIGHT			
				F6-946-5	F6-941-5	F6-942-5				300 STINLESS STL, PASSIVATE			

DUAL DIMENSIONS mm [INCH]
 ALL DIMENSIONS WITHOUT TOLERANCES ARE FOR REFERENCE ONLY.
 THIRD ANGLE PROJECTION
 A3 PAPER SIZE

**DOOR LEAF
 REMOVABLE PIN TYPE**



**DOOR LEAF
 RETRACTABLE PIN TYPE**

**TYPE B
 (ENGAGED)**

**TYPE A
 (ENGAGED)**

**TYPE A
 (DISENGAGED)**

