
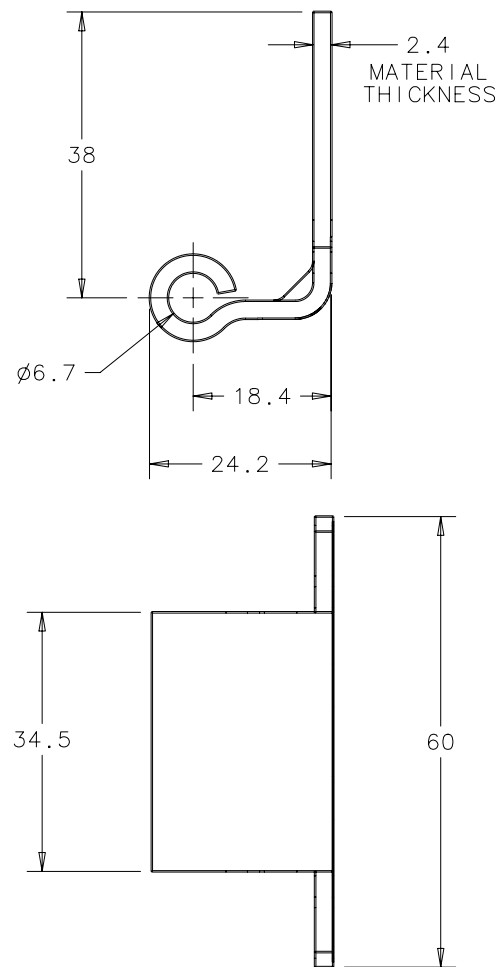
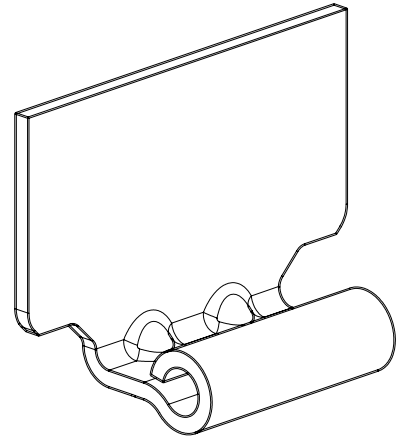


NOTES:

- A. REFER TO DRAWING No. J-F6-2-2 FOR INSTALLATION INSTRUCTIONS.
- B. FLAT FRAME LEAF CAN BE MOUNTED (AS SHOWN ON DRAWING J-F6-2-2) CUSTOM OFFSET DEPTHS AND MOUNTING HOLES CAN BE ADDED. CALL SOUTHCO FOR DETAILS.

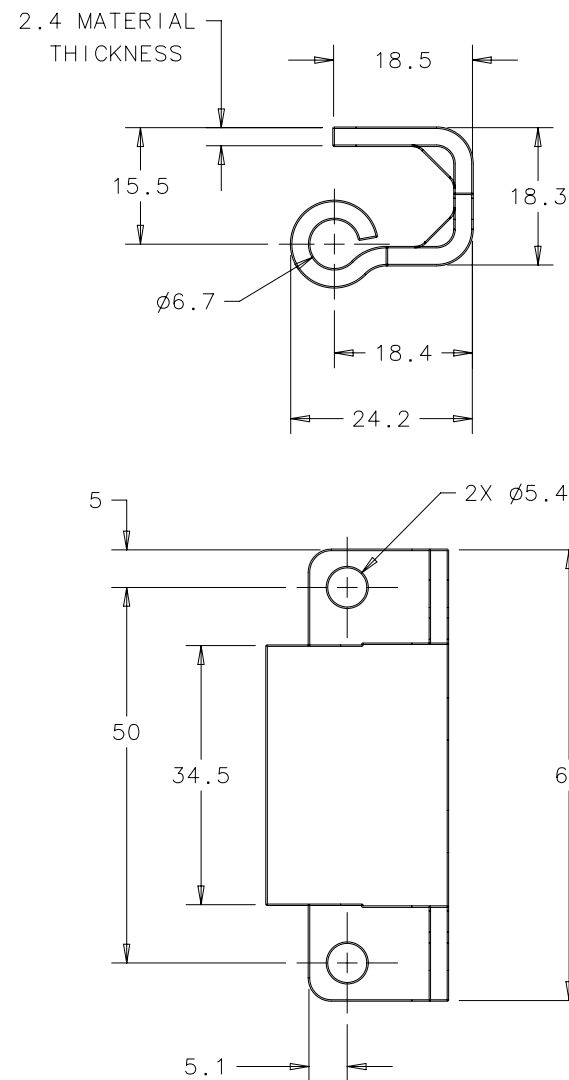
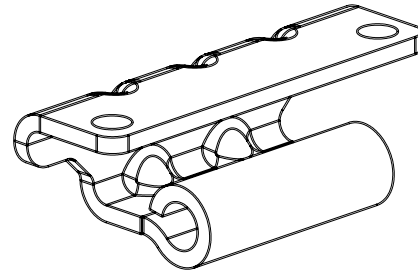
<b>southco</b>		PROPRIETARY ITEM - EXCEPT FOR USES EXPRESSLY GRANTED IN WRITING INFORMATION DISCLOSED HEREON IS CONFIDENTIAL AND ALL RIGHTS PATENT AND OTHERWISE ARE RESERVED BY SOUTHCO, INC.		F6 CONCEALED HINGE FRAME LEAVES				DATE	DRAWN	CHKD	SCALE	DRAWING NUMBER
								08 MAR 2007	JHV		0.75:1	J-F6-2-3
REV	DATE	DRAWN/CHKD	DESCRIPTION	FRAME LEAF TYPE - PART NUMBERS				MATERIAL & FINISH				
A	14MAR2007	JHV/AJH	PRN: P2007-0356	FLAT		FORMED						STAINLESS STEEL, NATURAL STEEL, ZINC PLATE, CHROMATE DIP
B	24MAY2007	JHV/AJH	PRN: P2007-0696	WELD MOUNT	HOLE MOUNT	M5 STUDS	10-32 STUDS	MILLIMETERS TOLERANCES UNLESS OTHERWISE NOTED ALL DIMENSIONS WITHOUT TOLERANCES ARE FOR REFERENCE ONLY.				
C	04MAR2010	MJS/MJS	PRN: P2010-0218	F6-904-5 F6-904	F6-905-5 F6-905	F6-908-5 F6-908	F6-907-5 F6-907					 A3 PAPER SIZE

FLAT - WELD MOUNT



FORMED - HOLE MOUNT

INSTALL WITH M5 OR 10-32  
HARDWARE, NOT SUPPLIED.



FORMED - STUD MOUNT

