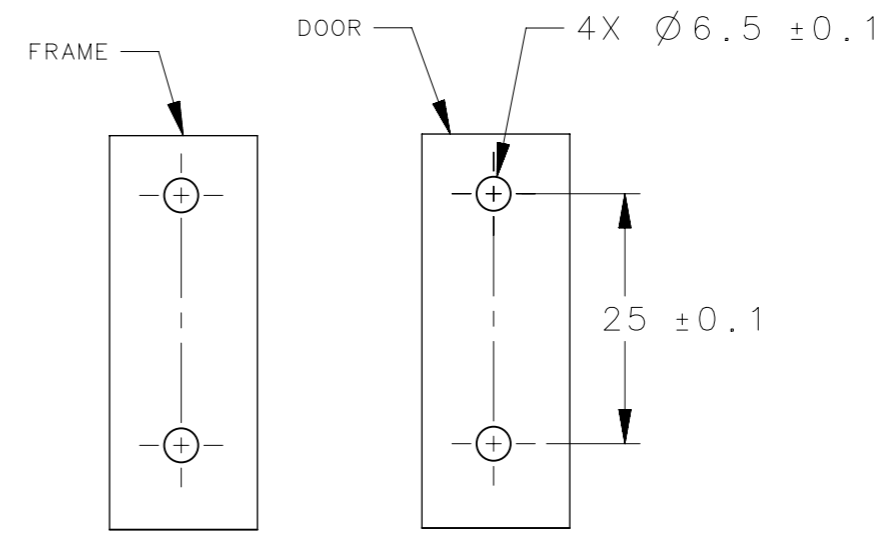
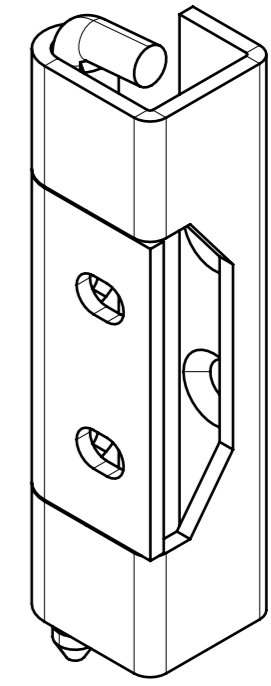
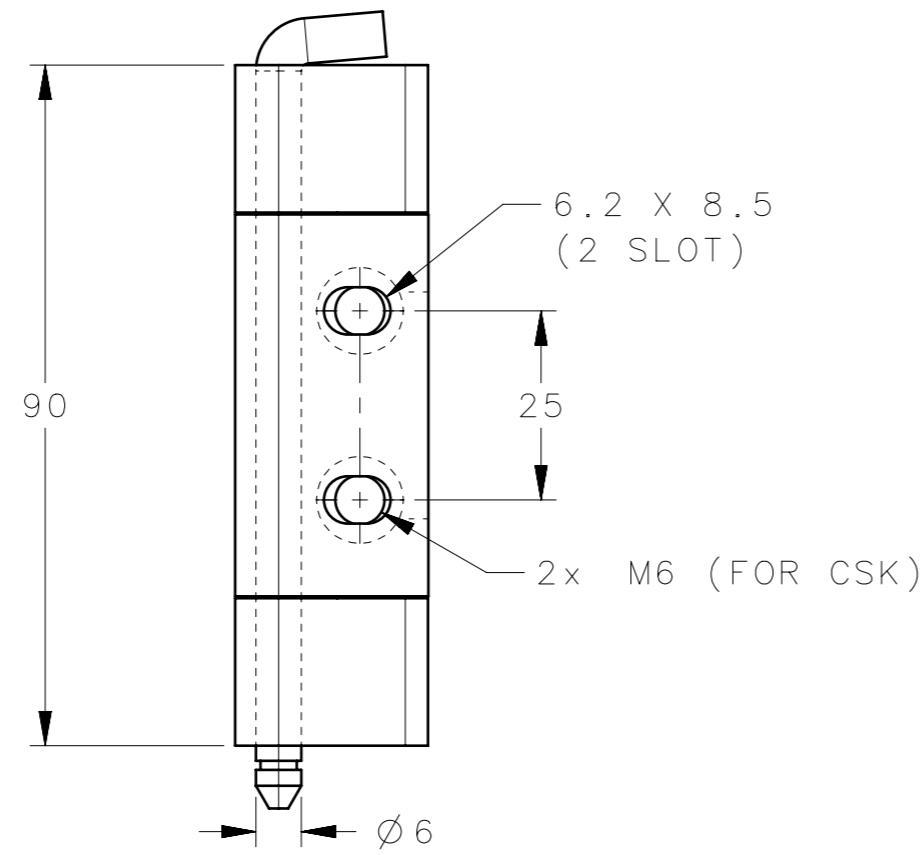
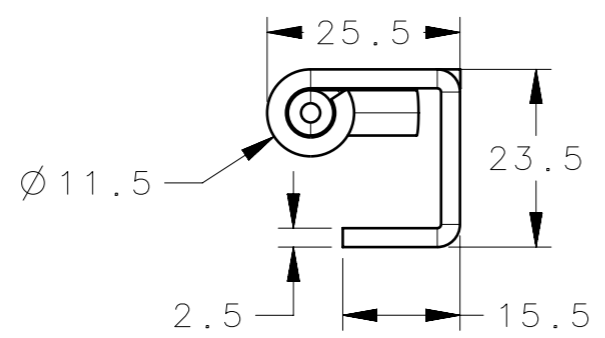


REVISION HISTORY			
REV	DATE	BY	DESCRIPTION
A	04JUL2024	SBK/VK	IPN: IP-2024-1605



PANEL PREPRATION



NOTES:-  
 1. MOUNTING SCREWS NOT SUPPLIED.  
 2. OPENING ANGLE 120° .

F6-DHIM-120-SS	CORNER & REMOVABLE HINGES	SS-304	ELECTRO POLISHING
SOUTHCO PART NUMBER	DESCRIPTION	MATERIAL	FINISH
CPB NUMBER 2024-0167	THIRD ANGLE PROJECTION	 CONNECT · CREATE · INNOVATE	
	MILLIMETERS [IN]		
SURFACE AREA mm <sup>2</sup>	TOLERANCES UNLESS OTHERWISE NOTED	DESCRIPTION CORNER & REMOVABLE HINGES	
VOLUME mm <sup>3</sup>	ALL DIMENSIONS WITHOUT TOLERANCES ARE FOR REFERENCE ONLY.	SIZE A3	SYSTEM NX
PROPRIETARY ITEM	PER ASME Y14.5M-2009	DWG NO. J-F6-DHIM-120-SS	DATE 17APR2024
EXCEPT FOR USES EXPRESSLY GRANTED IN WRITING, INFORMATION DISCLOSED HEREON IS CONFIDENTIAL AND ALL RIGHTS, PATENT AND OTHERWISE, ARE RESERVED BY SOUTHCO, INC.	DRAWN BY SBK	SCALE 1:1	SHEET 1 OF 1