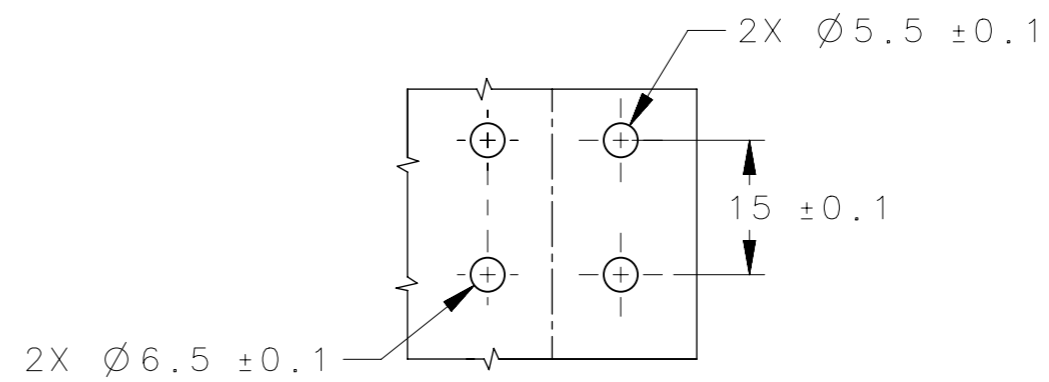
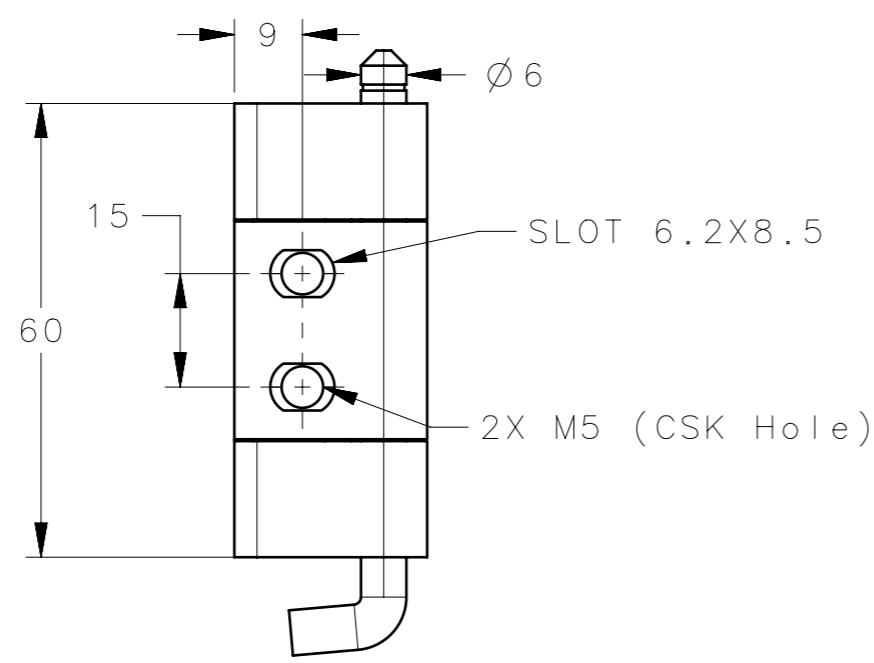
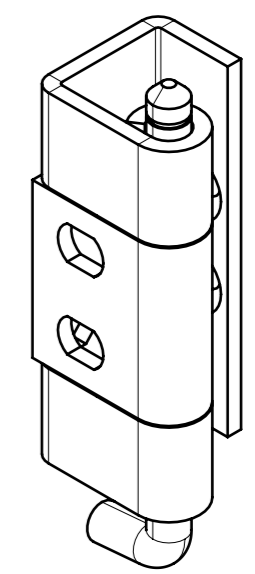
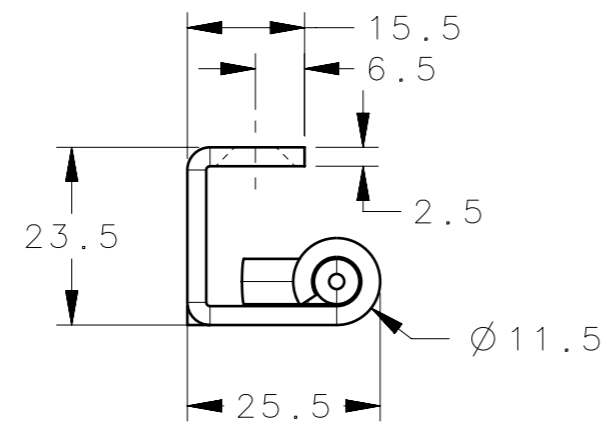


REVISION HISTORY			
REV	DATE	BY	DESCRIPTION
A	03JUL2024	SBK/VK	IPN: IP-2024-1602



PANEL PREPRATION

NOTES:-
 1. MOUNTING SCREWS NOT SUPPLIED.
 2. OPENING ANGLE 120°.

F6-DHIM-60-SS		CORNER & REMOVABLE HINGES		304SS		ELECTRO POLISHING	
SOUTHCO PART NUMBER		DESCRIPTION		MATERIAL		FINISH	
CPB NUMBER 2024-0167		THIRD ANGLE PROJECTION		 CONNECT · CREATE · INNOVATE			
SURFACE AREA mm ²		MILLIMETERS [IN]					
VOLUME mm ³		TOLERANCES UNLESS OTHERWISE NOTED		DESCRIPTION CORNER & REMOVABLE HINGES			
PROPRIETARY ITEM EXCEPT FOR USES EXPRESSLY GRANTED IN WRITING, INFORMATION DISCLOSED HEREON IS CONFIDENTIAL AND ALL RIGHTS, PATENT AND OTHERWISE, ARE RESERVED BY SOUTHCO, INC.		ALL DIMENSIONS WITHOUT TOLERANCES ARE FOR REFERENCE ONLY.		SIZE A3		SYSTEM NX	
PER ASME Y14.5M-2009		DRAWN BY SBK		DATE 08APR2024		SCALE 1:1	
				DWG NO. J-F6-DHIM-60-SS		SHEET 1 OF 1	