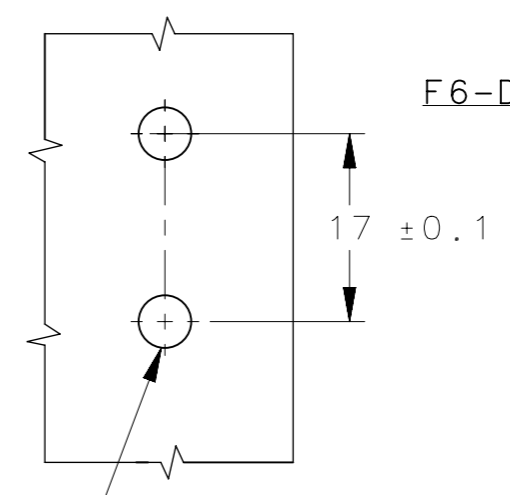
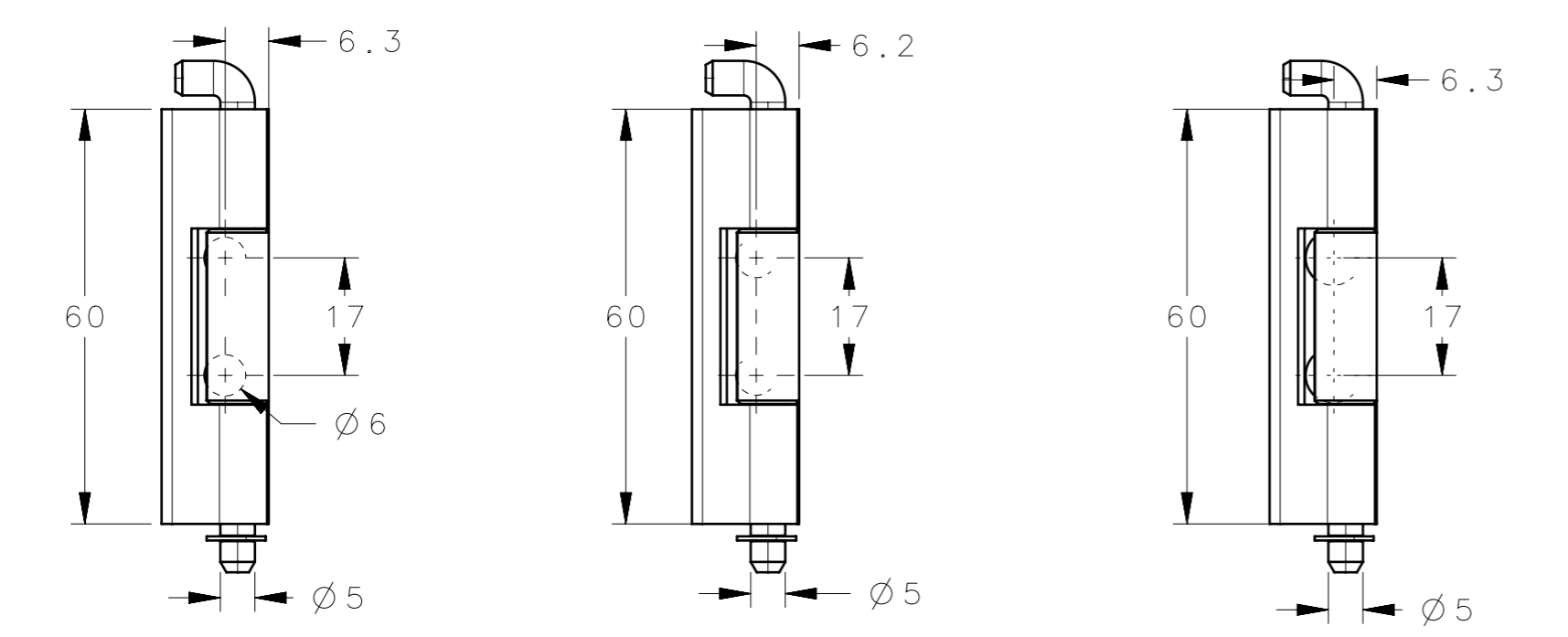
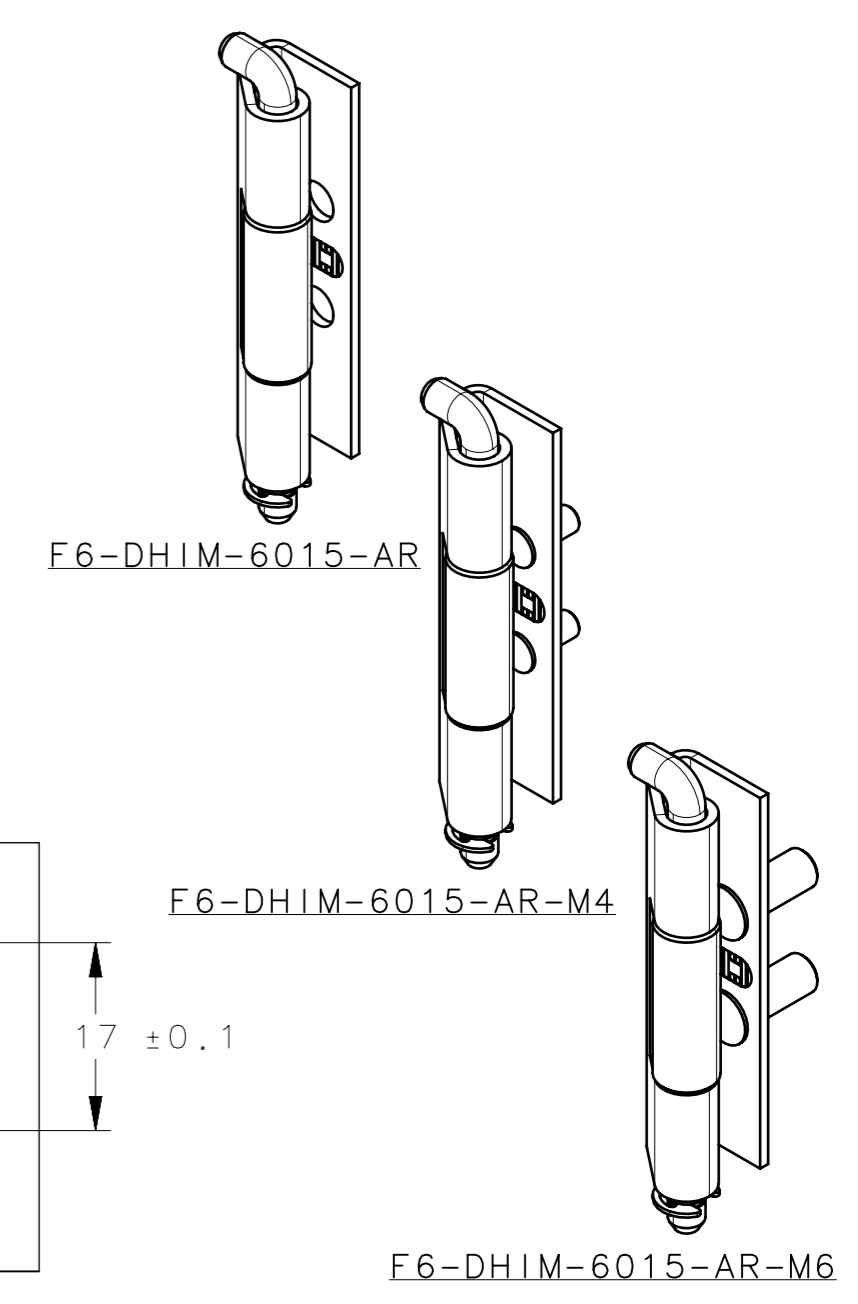
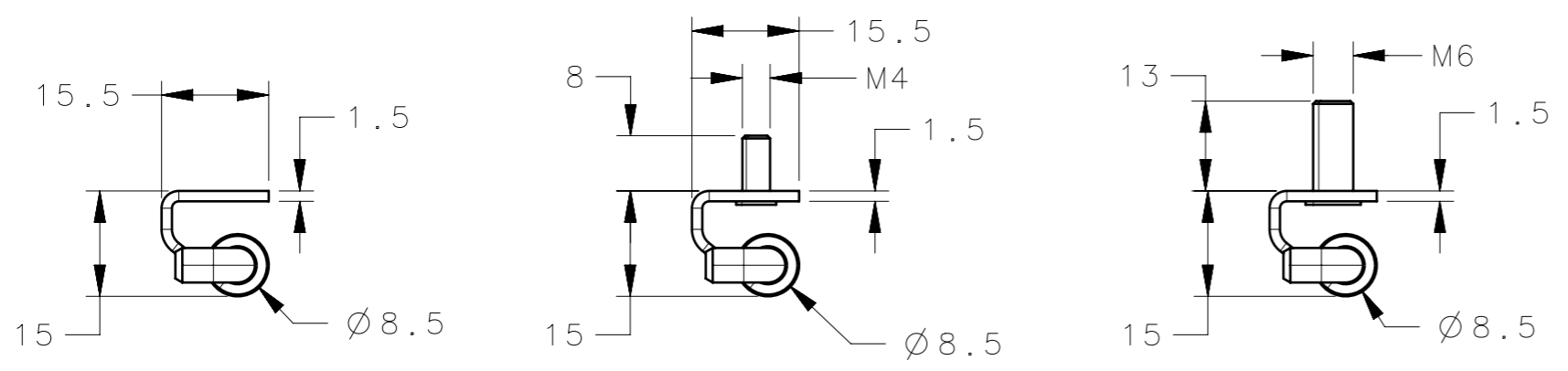


REVISION HISTORY			
REV	DATE	BY	DESCRIPTION
A	03JUL2024	SBK/VK	IPN: IP-2024-1601



2X Ø 4.5±0.1 (HOLE FOR M4.)  
 Ø 6.5±0.1 (HOLE FOR M6.)

NOTES:-  
 1. MOUNTING SCREWS NOT SUPPLIED.  
 2. OPENING ANGLE 90°.

F6-DHIM-6015-AR	CORNER & REMOVABLE HINGES	MS	BLUE ZINC PLATED
F6-DHIM-6015-AR-M4	CORNER & REMOVABLE HINGES	MS	BLUE ZINC PLATED
F6-DHIM-6015-AR-M6	CORNER & REMOVABLE HINGES	MS	BLUE ZINC PLATED
SOUTHCO PART NUMBER		DESCRIPTION	
CPB NUMBER		MATERIAL	
2024-0167		FINISH	
THIRD ANGLE PROJECTION		CORNER & REMOVABLE HINGES	
MILLIMETERS [IN]		DESCRIPTION	
TOLERANCES UNLESS OTHERWISE NOTED		CORNER & REMOVABLE HINGES	
SURFACE AREA		SIZE	
mm <sup>2</sup>		A3	
VOLUME		SYSTEM	
mm <sup>3</sup>		NX	
PROPRIETARY ITEM		DWG NO.	
EXCEPT FOR USES EXPRESSLY GRANTED IN WRITING, INFORMATION DISCLOSED HEREON IS CONFIDENTIAL AND ALL RIGHTS, PATENT AND OTHERWISE, ARE RESERVED BY SOUTHCO, INC.		J-F6-DHIM-6015-AR	
PER ASME Y14.5M-2009		DRAWN BY	
		SBK	
		DATE	
		22APR2024	
		SCALE	
		1:1	
		SHEET	
		1 OF 1	

