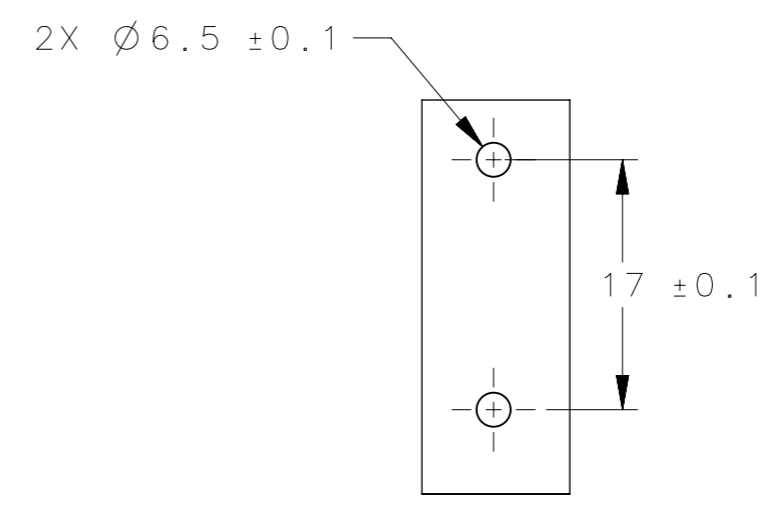
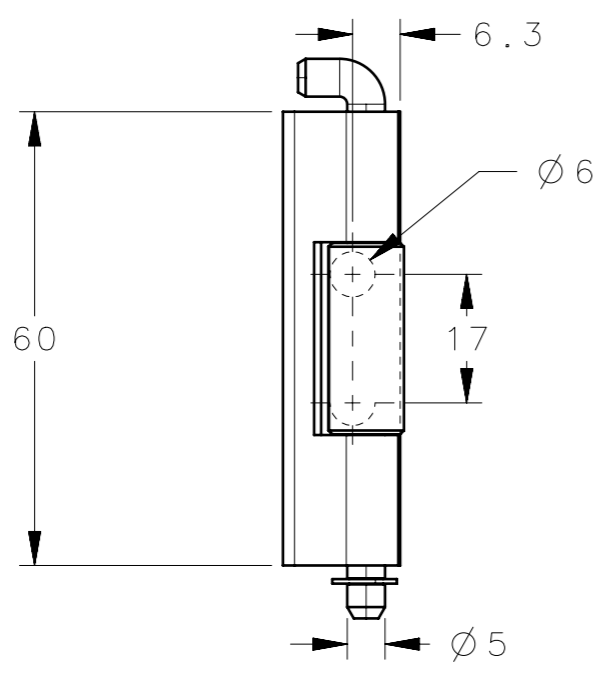
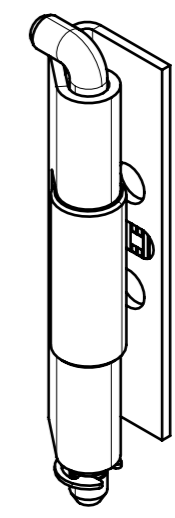
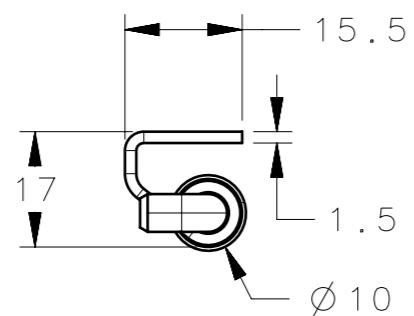


REVISION HISTORY			
REV	DATE	BY	DESCRIPTION
A	03JUL2024	SBK/VK	IPN: IP-2024-1601



PANEL PREPRATION

NOTES:-  
 1. MOUNTING SCREWS NOT SUPPLIED.  
 2. OPENING ANGLE 90°.

F6-DHIM-6015-AR10	CORNER & REMOVABLE HINGES	MS	BLUE ZINC PLATING
SOUTHCO PART NUMBER		DESCRIPTION	
CPB NUMBER 2024-0167		THIRD ANGLE PROJECTION	
SURFACE AREA		MILLIMETERS [IN]	
VOLUME		TOLERANCES UNLESS OTHERWISE NOTED	
PROPRIETARY ITEM		ALL DIMENSIONS WITHOUT TOLERANCES ARE FOR REFERENCE ONLY.	
EXCEPT FOR USES EXPRESSLY GRANTED IN WRITING, INFORMATION DISCLOSED HEREON IS CONFIDENTIAL AND ALL RIGHTS, PATENT AND OTHERWISE, ARE RESERVED BY SOUTHCO, INC.		SIZE A3	SYSTEM NX
PER ASME Y14.5M-2009		DWG NO. J-F6-DHIM-6015-AR10	DATE 22APR2024
DRAWN BY SBK		SCALE 1:1	SHEET 1 OF 1



CORNER & REMOVABLE HINGES