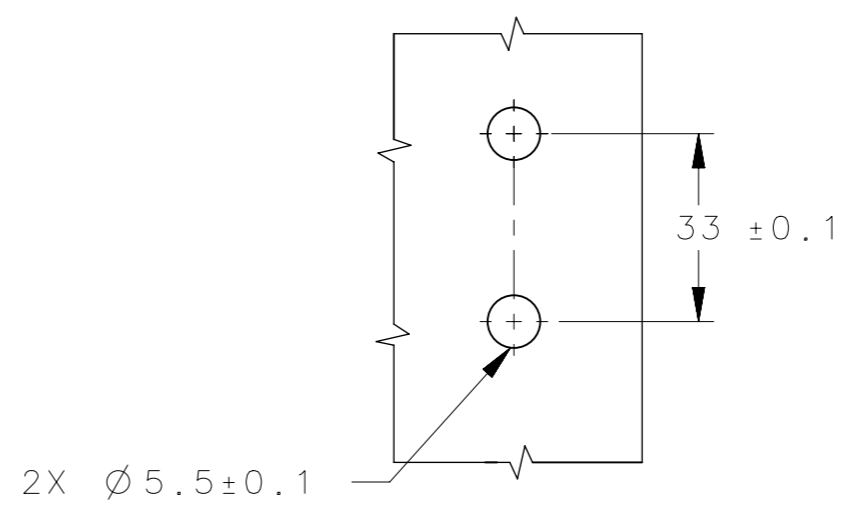
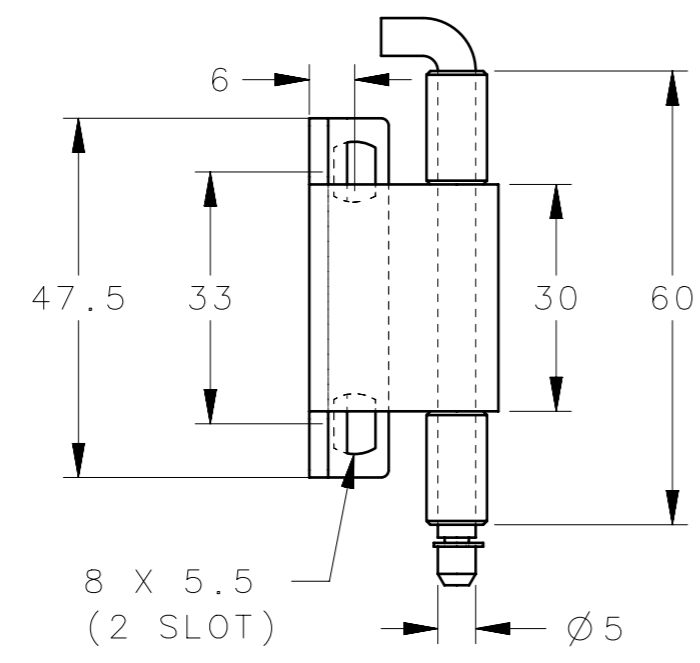
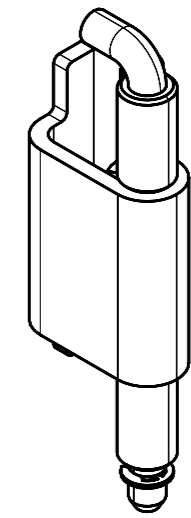
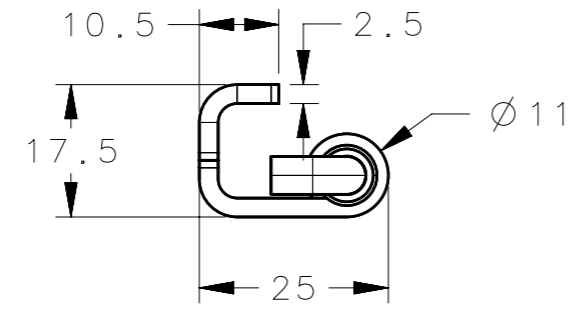


REVISION HISTORY			
REV	DATE	BY	DESCRIPTION
B	16OCT2024	SBK/VK	PRN: P2024-1756



PANEL PREPRATION

NOTES:-

1. MOUNTING SCREWS NOT SUPPLIED.
2. OPENING ANGLE 90°.

F6-DHIM-6020	CORNER & REMOVABLE HINGES	MS	BLUE ZINC PLATED
F6-DHIM-6020-SS	CORNER & REMOVABLE HINGES	SS-304	ELECTRO POLISHING
SOUTHCO PART NUMBER	DESCRIPTION	MATERIAL	FINISH
CPB NUMBER 2024-0167	THIRD ANGLE PROJECTION	 CONNECT • CREATE • INNOVATE	
	MILLIMETERS [IN]		
SURFACE AREA mm ²	TOLERANCES UNLESS OTHERWISE NOTED	DESCRIPTION CORNER & REMOVABLE HINGES	
VOLUME mm ³	ALL DIMENSIONS WITHOUT TOLERANCES ARE FOR REFERENCE ONLY.	SIZE A3	SYSTEM NX
PROPRIETARY ITEM	PER ASME Y14.5M-2009	DWG NO. J-F6-DHIM-6020	DATE 24APR2024
EXCEPT FOR USES EXPRESSLY GRANTED IN WRITING, INFORMATION DISCLOSED HEREON IS CONFIDENTIAL AND ALL RIGHTS, PATENT AND OTHERWISE, ARE RESERVED BY SOUTHCO, INC.		DRAWN BY SBK	SCALE 1:1
			SHEET 1 OF 1